

MD and MDP Key Switches



The disc contact type ED is a momentary key switch with short travel and good tactile feedback.

The ED is the main component of the MD and MDP switches.

MDP-Disc push-button key switch

Small momentary key switch equipped with button, can be mounted on printed circuit board.

MD-Disc push-button key switch

Small momentary key switch including a protective rubber actuator.

A wide range of keyboards can be built by using the MD.

MD and MDP key pads are available in two contact materials:

- gold plated bronze
- silver plated bronze

Construction

Function	Momentary
Contact arrangement	1 make contact = SPST
Distance between button centers, min.	12.7 (0.500)
Terminals	PC pins

Electrical data

	Silver	Gold
Switching power max.	6 W AC/DC	3 W AC/DC
Switching voltage max.	100 V AC/DC	100 V AC/DC
Switching current max.	100 mA AC/DC	50 mA AC/DC
Dielectric strength (50 Hz/1 Min.)	300 V	300 V
Operating life with max. switching power	MD $\geq 10^6$ MDP $\geq 2 \times 10^5$	$\geq 5 \times 10^6$ $\geq 2 \times 10^5$
Contact resistance, initial	$\leq 10 \text{ m}\Omega$	$\leq 15 \text{ m}\Omega$
Insulation resistance	$\geq 10^{11} \Omega$	$\geq 10^{11} \Omega$
Contact bounce	$\leq 100 \mu\text{s}$	$\leq 100 \mu\text{s}$

Mechanical data

	MD	MDP
Switching travel	0.6 (0.0236)	0.3 (0.0118)
Operating force	2.6N \pm 25% (260 grams \pm 25%)	2.4N \pm 25% (240 grams \pm 25%)

Further data

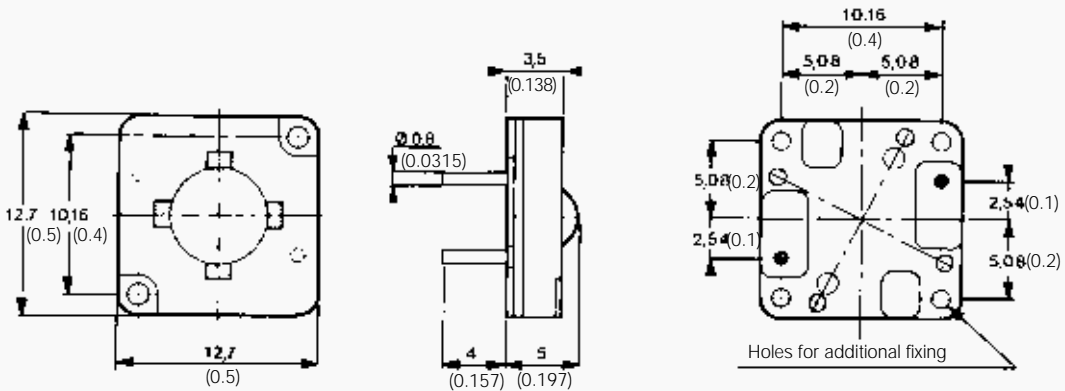
Contact material	Silver, Gold
Operating temperature	- 25°C to + 70°C ¹⁾
Storage temperature	- 40°C to + 85°C
Climatic category (days)	10 for silver version 56 for gold version
Soldering by static bath	255°C for 5 seconds

¹⁾ Special design for ambient temperature - 40°C to + 85°C (Type MD40) available (not washable in solvents)
Note: MD40 disc keyswitch conforms to climatic category 40/85/56.

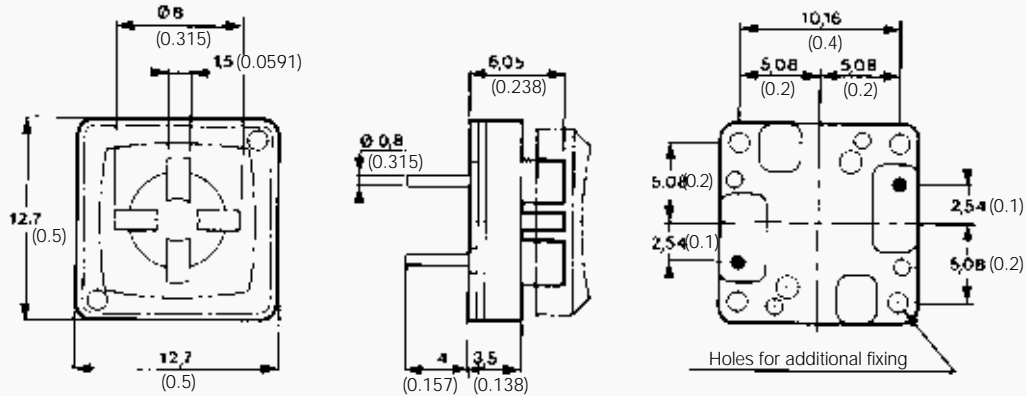
MD and MDP Key Switches

Dimensional Drawings

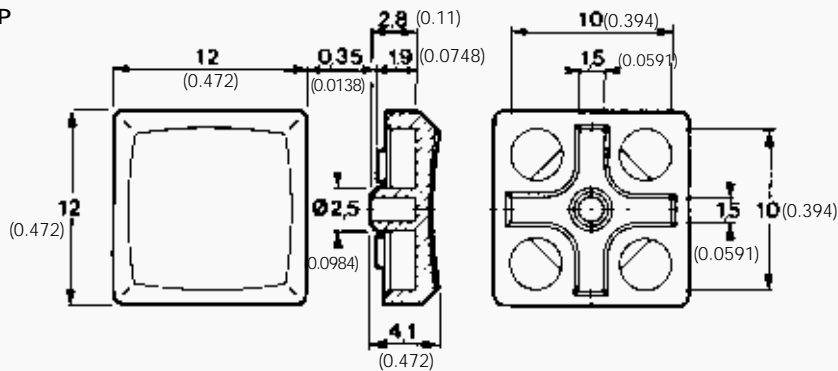
MD



MDP



Button MDP



Ordering code		1	2	3
		Example: MD AG 04		
1	Designation: MD, MDP, MD40	→	→	→
2	Contact material: AG = silver, AU = gold	→	→	→
3	MDP button color: 01 = black, 02 = white, 03 = red, 04 = light grey, 05 = dark grey, 07 = blue	→	→	→

X-ON Electronics

Largest Supplier of Electrical and Electronic Components

Click to view similar products for [Switch Actuators](#) category:

Click to view products by [C&K](#) manufacturer:

Other Similar products are found below :

[LW1B-A0L](#) [LW1B-M0](#) [680-4000-00](#) [704.012.618](#) [704.096.0](#) [704.411.018I](#) [704.412.0](#) [704.633.1](#) [704.730.1](#) [704.733.0](#) [84-1221.7](#) [862.8102](#)
[G6083](#) [9PA24](#) [A0107X](#) [A019307](#) [ADC-418G](#) [12MA7](#) [ASDHHY-B](#) [HW1F-3G](#) [HW1M-L2222](#) [HW4S-31L](#) [200-.704-00](#) [JS-10008](#) [JS-](#)
[10083](#) [JS-10118](#) [JS-10133](#) [JS-10277](#) [JS-10389](#) [JS-150](#) [JS-552](#) [JS-555](#) [JS-68](#) [JS-6-B](#) [JS-91](#) [JS-94](#) [22-211.011](#) [9001KXSDC](#) [92-458.500](#)
[SAPT654133](#) [2PA3](#) [SW53AA2](#) [302561](#) [LW2L-A0](#) [3E-10.4](#) [468-10243-001](#) [51-030.005](#) [JM-13](#) [JS-10120](#) [JS-138-B](#)