

**NEW!**

# PTS 530 Series Ultra Low Profile SMT Top Actuated

## Features/Benefits

- 4.5 x 4.5 mm footprint
- 0.55 mm thickness
- High number of cycles
- Symbol line identification

## Typical Applications

- MP3 accessories
- Bluetooth headset
- Remote controls
- Garage door opener



Tactile Switches

## Specifications

FUNCTION: momentary action  
 CONTACT ARRANGEMENT: 1 make contact = SPST N.O.  
 TERMINALS: Gullwing or J type for SMT  
 TRAVEL: 0.2mm - 0.1 /+ 0.15mm

Type J and G (replace X)	Operating Force (gf)	Operating Life (operations)
PTS530 xN055 SMTR LFS	100 ± 30	1,000,000
PTS530 xM055 SMTR LFS	160 ± 30	1,000,000
PTS530 xH055 SMTR LFS	200 ± 30	200,000
PTS530 xK055 SMTR LFS	260 ± 30	200,000
PTS530 xG065 SMTR LFS	400 ± 70	300,000
PTS530 xS065 SMTR LFS	600 + 50/+100	150,000

## Electrical

MAXIMUM VOLTAGE: 12 VDC  
 MAXIMUM CURRENT DC: 50 mA  
 DIELECTRIC STRENGTH: 250 VA C (1mn)  
 CONTACT RESISTANCE: ≤ 100 mΩ  
 INSULATION RESISTANCE: ≥ 100 MΩ  
 BOUNCE TIME: ≤ 10 ms

## Environmental

OPERATING TEMPERATURE: -40°C to 85°C

## Process

SOLDERING: This component is suited to the following methods:  
 Infrared Reflow Soldering in accordance with IEC61760-1

## Packaging

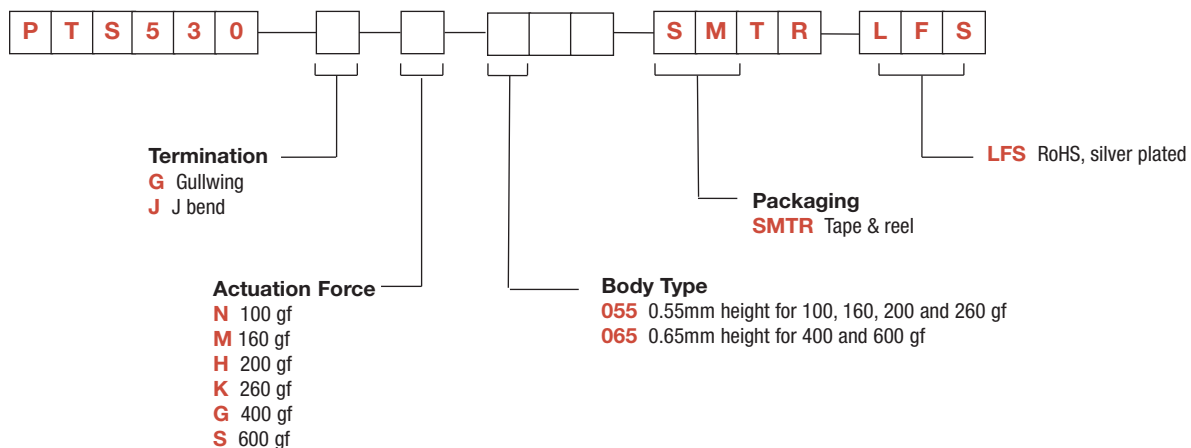
Switches in reels of 7,000 pieces.  
 Dimensions of reels according to EIA 481B  
 External diameter 330 mm

**NOTE:** Specifications listed above are for switches with standard options.  
 For information on specific and custom switches, consult Customer Service Center.

## How To Order

Our easy build-a-switch concept allows you to mix and match options to create the switch you need. To order, select desired option from each category and place it in the appropriate box.

For any part number different from those listed above, please consult your local representative.

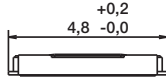


# PTS 530 Series Ultra Low Profile SMT Top Actuated

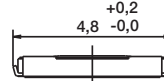
**NEW!**

## TERMINATION

**G GULLWING**



**J J BEND**



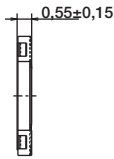
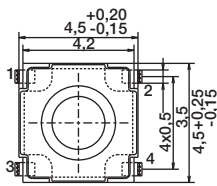
## BODY TYPE / ACTUATION FORCE

**B**

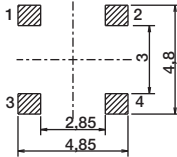
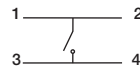
Tactile Switches

**055** 0,55 MM HEIGHT

Actuation force identification lines:



SCHMATIC

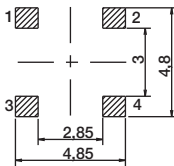
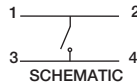
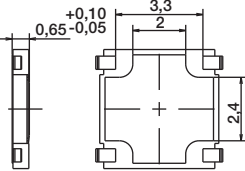
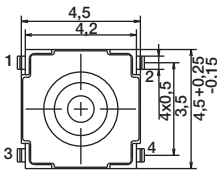


RECOMMENDED PCB LAYOUT

N: 100 gf	
M: 160 gf	No Lines
H: 200 gf	
K: 260 gf	

**065** 0,65 MM HEIGHT

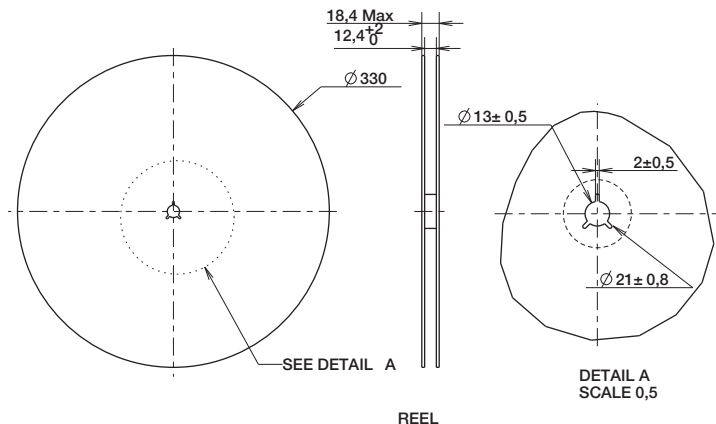
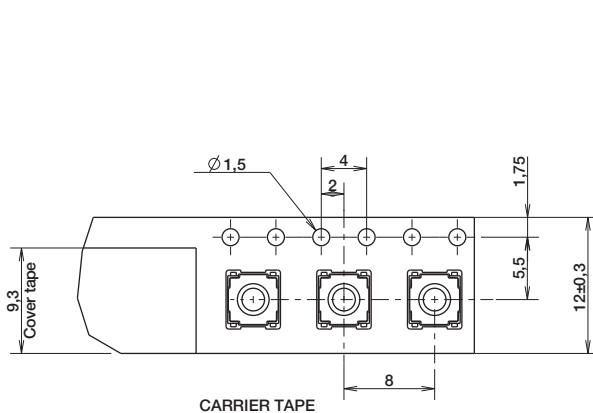
Actuation force identification lines:



RECOMMENDED PCB LAYOUT

G: 400 gf	No Lines
S: 600 gf	

## TAPE & REEL



## X-ON Electronics

Largest Supplier of Electrical and Electronic Components

*Click to view similar products for [Tactile Switches](#) category:*

*Click to view products by [C&K](#) manufacturer:*

Other Similar products are found below :

[KMR633NG](#) [LFG](#) [5GTH9202242](#) [6426-201-11343](#) [MJ1226](#) [MJTP1230BL](#) [MJTPSHW](#) [1-1977223-0](#) [1-1977120-4](#) [ADTSA62NV](#)  
[ADTSA62RV](#) [ADTSA63KV](#) [ADTSA644NV](#) [ADTSM24NVTR](#) [ADTSMW66NV](#) [ADTSMW67RV](#) [ATM533VTR](#) [B3F-3123](#) [B3F-6055A](#)  
[B3F-B32-01-KIT](#) [1977177-8](#) [1977266-1](#) [2-1977223-4](#) [2-1977223-7](#) [ADTS644KV](#) [ADTSA61RV](#) [ADTSA62KV](#) [ADTSA63NV](#)  
[ADTSA63RV](#) [ADTSA65NV](#) [ADTSM21NSVTR](#) [ADTSM25RVTR](#) [ADTSM32NVTR](#) [ADTSM61YVTR](#) [ADTSM63SVTR](#)  
[ADTSM644KVTR](#) [ADTSMW64RV](#) [ADTSMW69NV](#) [FSMRA4JHA04](#) [D38999/20JJ37SA](#) [TL1105B](#) [TL1105J](#) [ATM534VTR](#) [MJ1221](#)  
[MJ1227](#) [506E00201](#) [MJTP1109A](#) [MJTPSHWA](#) [MJTPSJW69N](#) [3FTL600RAS](#) [3FTL640RAS](#)