

CLIFF

1/4" VERTICAL JACK SOCKET



CL11061SA - S1V/SBB/SPN ASSEMBLED



CL11061X - S1V/SBB WITH EARTH



CL11063SA - S1V/SBS/SPN ASSEMBLED



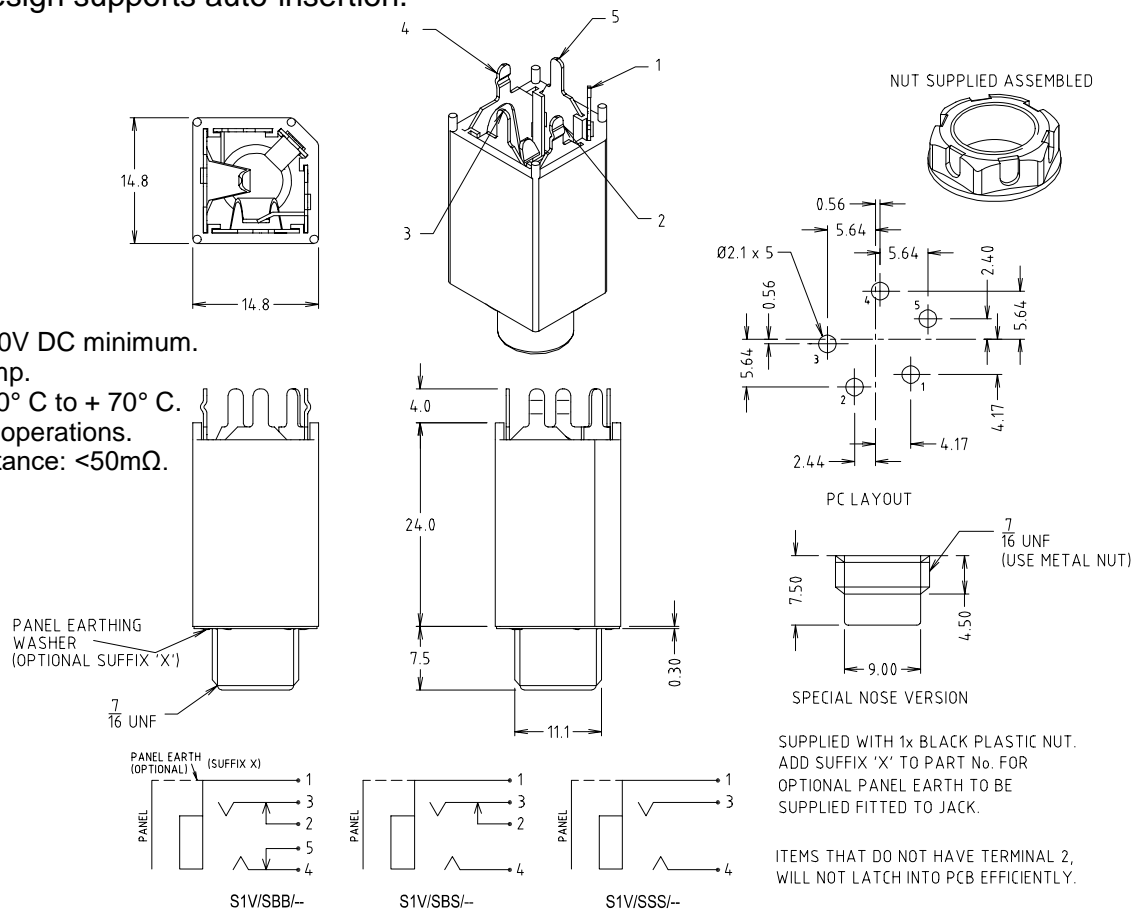
CL11064A - S1V/SSS ASSEMBLED

Features

- Compact vertical PCB mounting with 24mm stand-off gives high packing density.
- Snap-in PCB mounting to facilitate pre-assembly and wave soldering.
- Optional chassis grounding versions. Grounding chassis to plug and PCB.
- Body design supports auto-insertion.

Specification

Withstand Voltage: 2000V DC minimum.
 Maximum Current: 5 amp.
 Temperature Rating: -10° C to +70° C.
 Life: Minimum 10,000+ operations.
 Nominal Contact Resistance: <50mΩ.



SUPPLIED WITH 1x BLACK PLASTIC NUT. ADD SUFFIX 'X' TO PART No. FOR OPTIONAL PANEL EARTH TO BE SUPPLIED FITTED TO JACK.

ITEMS THAT DO NOT HAVE TERMINAL 2, WILL NOT LATCH INTO PCB EFFICIENTLY.

X-ON Electronics

Largest Supplier of Electrical and Electronic Components

Click to view similar products for [Phone Connectors](#) category:

Click to view products by [Cliff](#) manufacturer:

Other Similar products are found below :

[R4F](#) [14412GX](#) [E12BPKG](#) [MT333X](#) [171-3302-EX](#) [NC3MG-V](#) [NP2RX-AU-SILENT-D](#) [NS112BX](#) [JM2PB-AU BULK](#) [S2674](#) [280L](#) [RJ5VI-](#)
[S](#) [TM1R-AU](#) [TM2PJ-AU](#) [TM2PJ-AU BULK](#) [TS3PBJ-AU](#) [TS3PBMJ-AU](#) [MP-101](#) [54B](#) [T10711](#) [MT334F](#) [NJ3FP6F-P](#) [NPX-PROMO](#)
[JS3PB-AU BULK](#) [XMT332A](#) [TP-201033-A](#) [114BPCSX](#) [CMT334B](#) [AA0-A4830-A00](#) [PJ-218](#) [PJ-320-3P SMT](#) [PJ-321A](#) [PJ-393-8P](#) [KH-PJ-](#)
[327D-SMT](#) [PJ-320D](#) [PJ-3106M](#) [PJ-376](#) [PJ-368](#) [PJ-624](#) [PJ-339](#) [PJ-3200B](#) [RCJ-017](#) [PJ-307B-1.3-01](#) [PJ-324](#) [PJ-324M](#) [PJ-313D](#) [PJ-313](#) [PJ-](#)
[227](#) [PJ-343 Red](#) [PJ-3106AC1](#)