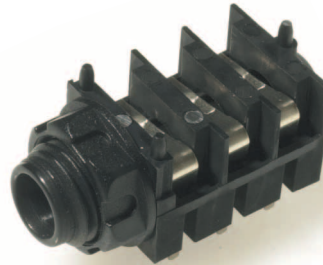


S1 / BNB Mono



S1 / BBB Stereo



S1 / BBB Special Nose



Coloured Nuts



EMI / RFI Screen



Slotted Ring Nut



Hex Chrome Nut

The **CLIFF**[®] range of S1 1/4" Mini Jacks incorporate significant new design features. The narrow-bodied design supports auto insertion and offers the highest board packing density available. Designed for snap-in PCB mounting to facilitate assembly and wave soldering, the S1 is available with chassis grounding and a choice of switching configurations, nose and mounting nut options.

Significant features include:

- Narrow body versions offering the highest board packing density available.
- Snap-in PCB mounting to facilitate assembly and wave soldering.
- Optional chassis grounding versions.
- Body design supports auto-insertion.
- Choice of nose and fixing nut options.
- Ni-Ag[®] Alloy Self-Cleaning Contacts for superior performance and reliability.

Cliff Electronic Components, Ltd.

76 Holmethorpe Avenue, Holmethorpe Ind. Est.

Redhill, Surrey RH1 2PF. England

Tel: +44 (0) 1737 771375

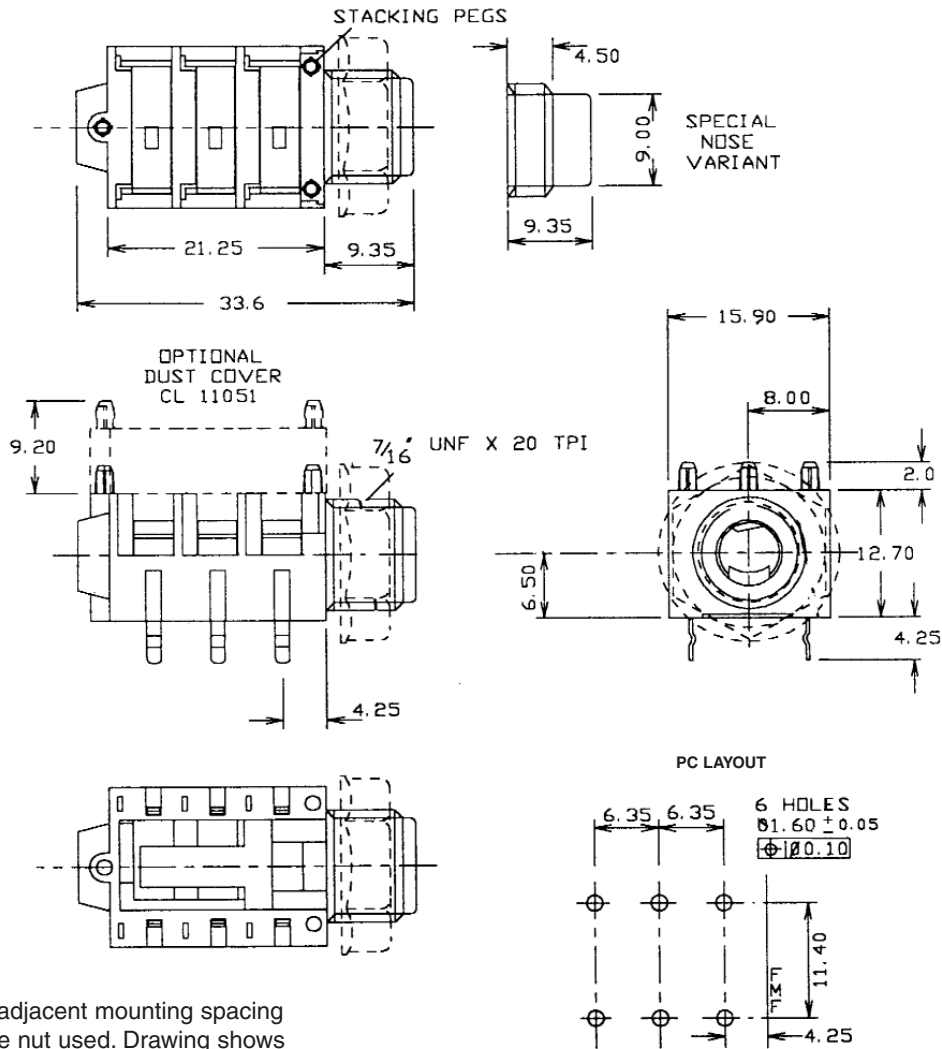
Fax: +44 (0) 1737 766012

Email: sales@cliffuk.co.uk



Visit us online at:

www.cliffuk.co.uk



The minimum adjacent mounting spacing depends on the nut used. Drawing shows plastic nut and kinked legs are standard.

Specification:

Withstand voltage: 2000V DC Min.

Maximum Current: 5 amp.

Temperature Rating: -10° C to + 70° C

Life (Minimum): 10,000+ Operations. Cr <100mΩ

Nominal Contact Resistance: <50mΩ

Technical Data:

Designed to receive both mono and stereo 1/4" jack plugs, the S1 socket is produced from durable grade 1 black nylon with **CLIFF**® Ni-Ag® Alloy self-cleaning contacts for superior performance and reliability. Contacts can also be supplied with our special low noise Ni-Ag® 'ST' plating. The S1 is available with either a half or fully threaded nose and with a nylon nut (standard) or a nickel plated brass hexagonal or slotted ring nut. Mounting hardware, if required, is supplied unassembled. The S1 can also be supplied with prefitted EMI/RFI screen if required. When ordering, please state the contact arrangement required, with a plug inserted, using the following code from the front of the jack socket: B - Break, N - No Contact. For example, an S1/BNB is a 2-pole mono switched jack socket, 1st contact - 'Break', No 2nd contact and third contact - 'Break'. Model S1C, produced in our China plant, has similar specifications and characteristics.

X-ON Electronics

Largest Supplier of Electrical and Electronic Components

Click to view similar products for [cliff](#) manufacturer:

Other Similar products are found below :

[SRP1 BLACK](#) [CL1423](#) [CL1432](#) [CL159825BA](#) [CL19192RB](#) [CL2160B TP/6 CS](#) [CL-SFE/1 FILTERS](#) [HFRP-01](#) [S2/BBB \(CL1220A\)](#)
[CIH206011](#) [CL14218](#) [CP30117](#) [CP30214M](#) [FM686813](#) [CL11061 S1V/SBB](#) [CL11607](#) [CL12345](#) [CL1308G](#) [CL13106G](#) [CP22R](#) [CP30152](#)
[CP30211](#) [CP303011X](#) [CL1406](#) [CL15501A](#) [CL1572](#) [CL681561](#) [CP30173](#) [CP30176](#) [CP30178](#) [CP30179](#) [CP30180](#) [CP30500C](#) [CP30175](#)
[CP30300MB3](#) [CP30182](#) [CP30183](#) [CP30184](#) [CP30202M3](#) [FCR1295](#) [FCR2065](#) [FCR7360B](#) [FM686816](#) [CIH29950](#) [CP30225SM](#) [CP30170](#)
[CP30174](#) [CIH684216](#) [FW6190](#) [CP30202M](#)