

CLIFF

3.5mm S6 MONO JACK SOCKETS



CL1382A - S6/BB Grey Solder Tag

CL1384A - S6/BB Grey PCB Tag



CL1382G - S6/BB Green Solder Tag

CL1384G - S6/BB Green PCB Tag



CL1382L - S6/BB Blue Solder Tag

CL1384L - S6/BB Blue PCB Tag



CL1382P - S6/BB Opal Solder Tag

CL1384P - S6/BB Opal PCB Tag



CL1382R - S6/BB Red Solder Tag

CL1384R - S6/BB Red PCB Tag



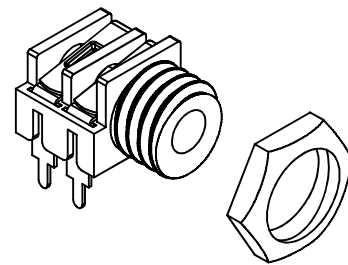
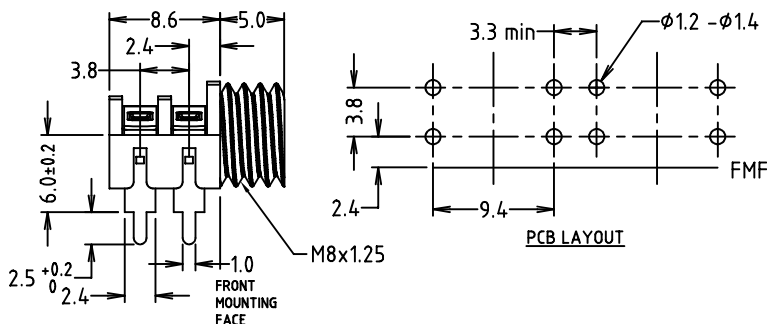
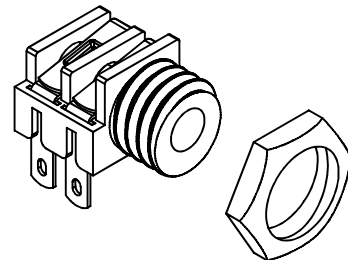
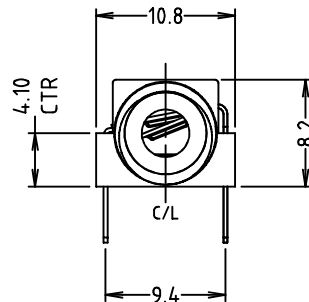
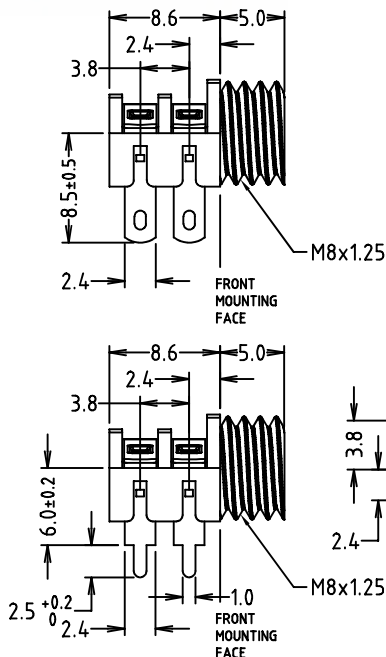
CL1382W - S6/BB White Solder Tag

CL1384W - S6/BB White PCB Tag



CL1382Y - S6/BB Yellow Solder Tag

CL1384Y - S6/BB Yellow PCB Tag



Notes:

- S6 Sockets are only guaranteed to perform the switch switch (SS) function. Users requiring break functions (B) must satisfy themselves that the product is suitable for their application. Cliff accepts no responsibility for use outside the (SS) function.
- Max panel thickness is 3.0mm.
- Material: Jack body - PP, Contacts - Nickel Silver / Tin plated.
- Supplied with 1 nut unassembled. Nut material: Brass / Nickel plated.

X-ON Electronics

Largest Supplier of Electrical and Electronic Components

Click to view similar products for [Cliff](#) manufacturer:

Other Similar products are found below :

[300PN](#) [5XNACF/PC90L \(CP300405\)](#) [5XNACM/PC90\(CP300255\)](#) [ACF](#) [ACM](#) [APF](#) [APM](#) [BS300LLL](#) [BS3058](#) [C1066D](#) [P6C-D](#) [CIH22105](#)
[CIH29890](#) [CIH29916](#) [CIH29920](#) [CIH29922](#) [CIH29925](#) [CIH299430](#) [CIH299450](#) [CIH29950](#) [CIH3006](#) [CIH3007](#) [CIH3021](#) [CIH30240B](#)
[CIH30240G](#) [CIH30240R](#) [CIH30241B](#) [CIH30241G](#) [CIH30241R](#) [CL11061 S1V/SBB](#) [CL1110 S1/BNB](#) [CL1115](#) [CL1115 S1/BBB](#) [CL11607](#)
[CL12207](#) [CL12321K](#) [CL12327](#) [CL1232A](#) [CL12345](#) [CL1282A](#) [CL1308G](#) [CL13106G](#) [CL13345](#) [CL1362](#) [CL1382](#) [CL1382A](#) [CL1382G](#)
[CL1382L](#) [CL1382P](#) [CL1382R](#) [CL1382W](#)