

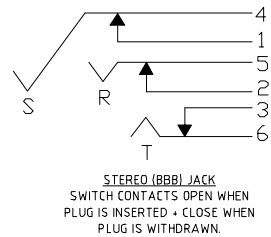
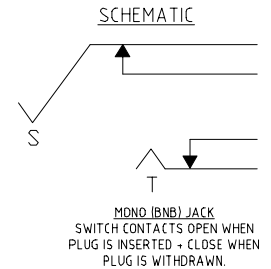
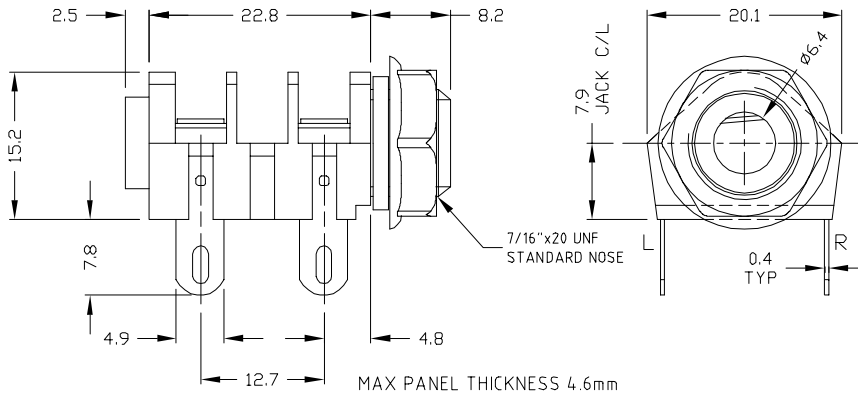
# CLIFF

## GOLD JACK SOCKETS

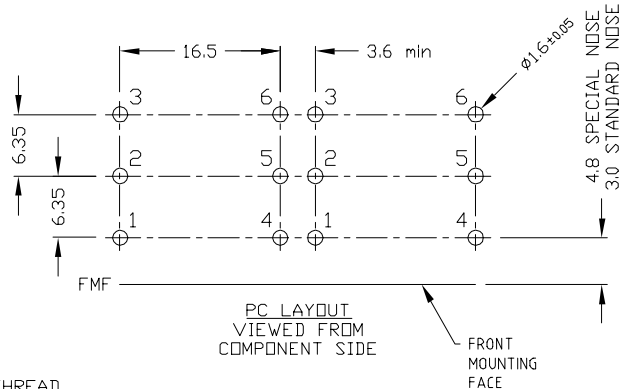
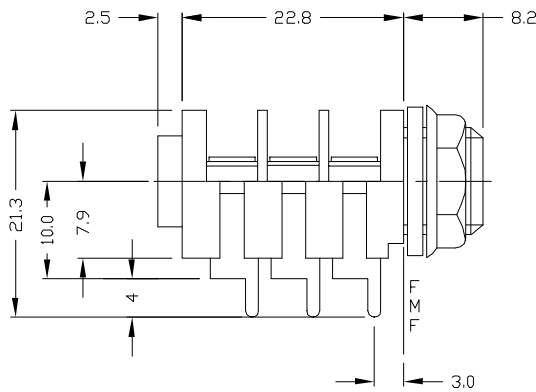
### 6.35mm JACK SOCKET



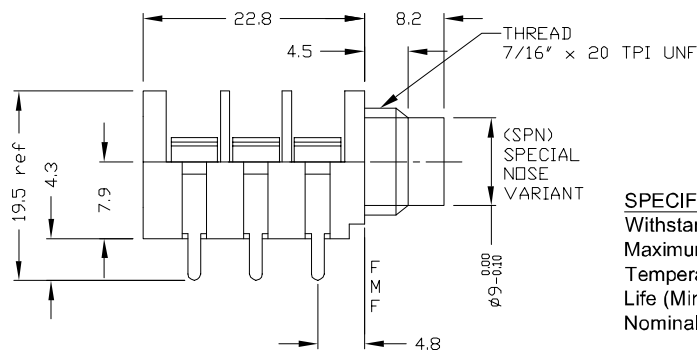
**CL11607**



**CL12327**



**CL12345**



**SPECIFICATION**  
 Withstand voltage: 2000V DC Min.  
 Maximum Current: 5A  
 Temperature Rating: -10° C to +70° C  
 Life (Minimum): 10,000+ Operations  
 Nominal Contact Resistance: <50mΩ

### DESCRIPTION

**CL11607** - Jack Socket Mono S2/BNB Solder Tag

**CL12327** - Jack Socket Stereo S2/BBB PC Tag Type A.

**CL12345** - Jack Socket Stereo S2/BBB Special Nose PC Tag Type C. No nut or washers.

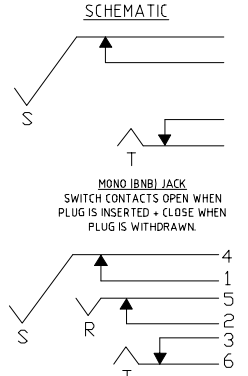
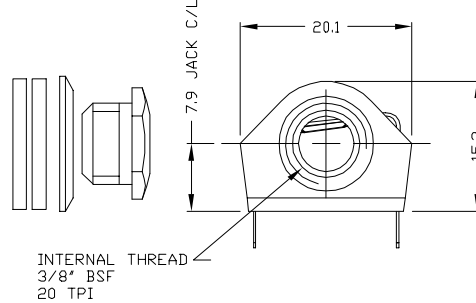
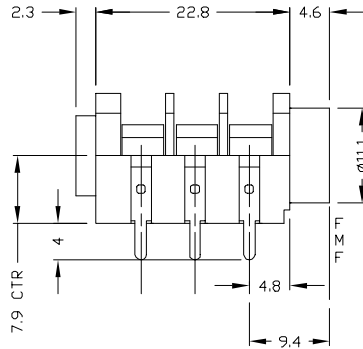
# CLIFF

## GOLD JACK SOCKETS

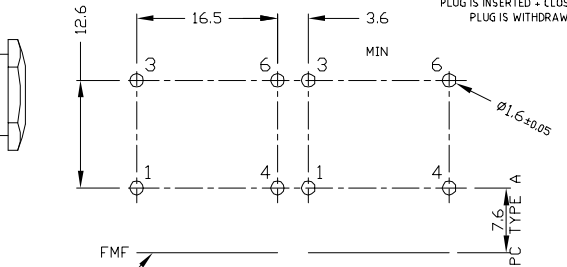
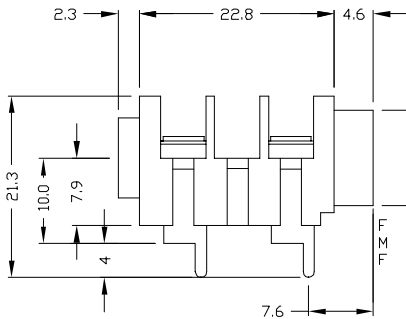
### 6.35mm JACK SOCKET



**CL13345**



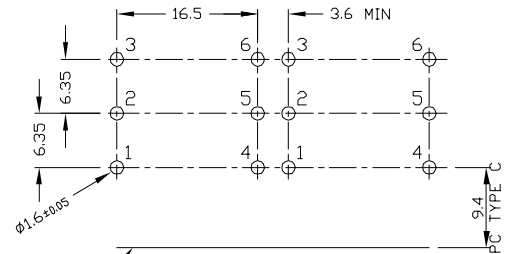
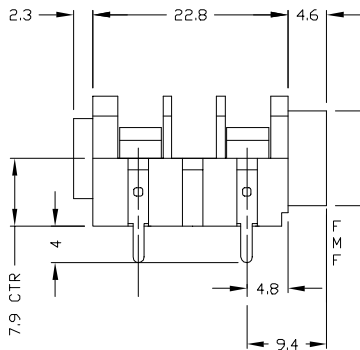
**CL1308G**



FRONT MOUNTING FACE  
PC LAYOUT VIEWED FROM COMPONENT SIDE



**CL13106G**



FRONT MOUNTING FACE  
PC LAYOUT VIEWED FROM COMPONENT SIDE  
CONTACTS 2 AND 5 OMITTED IN MONO JACK.

### DESCRIPTION

**CL13345** - Jack Socket Stereo S4/BBB PC tag type C

**CL1308G** - Jack Socket Mono S4/BNB PC tag type A

**CL13106G** - Jack Socket Mono S4/BNB PC tag type C

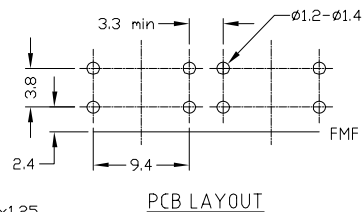
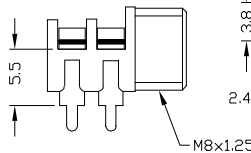
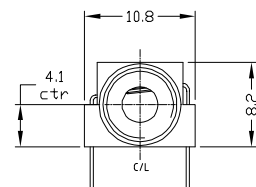
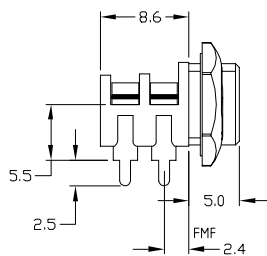
### 3.5mm JACK SOCKET



**CL13845G**



**CL13843G**



PCB LAYOUT

### DESCRIPTION

**CL13845G** - 3.5mm Jack Socket S6G/BB with nut

**CL13843G** - 3.5mm Jack Socket S6G/BB without nut

# CLIFF

## GOLD JACK SOCKETS

### JACK SOCKET ACCESSORIES



**FCR14422** - EMI / RFI SCREEN FOR 6.35mm JACK SOCKETS



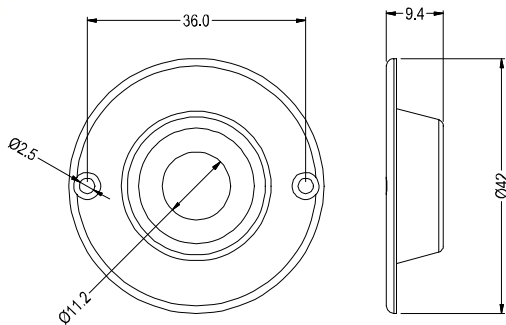
**CL14218** - BLACK COMBINED NUT/BEZEL FOR S4 TYPE JACK SOCKET



**CL14218GY** - GREY COMBINED NUT/BEZEL FOR S4 TYPE JACK SOCKET



**CL1396** - RECESS PLATE TO ALLOW FLUSH MOUNTING OF 6.35mm JACK SOCKETS



## **X-ON Electronics**

Largest Supplier of Electrical and Electronic Components

*Click to view similar products for [Cliff manufacturer](#):*

Other Similar products are found below :

[FC681495](#) [DC-10AS \(FC68148S\)](#) [FC7233](#) [CL178887](#) [CL-SFE/1 FILTERS](#) [CIH206011](#) [CL178881](#) [FCR7360L](#) [FM686813](#) [CIH29920](#)  
[CP30152](#) [OTJ-1 \(FCR6842031T\)](#) [OTJ-4 \(FCR684204T\)](#) [CP30173](#) [CP30176](#) [CP30178](#) [CP30179](#) [CP30180](#) [CP30183](#) [CP30186](#) [FCR7360B](#)  
[FM686816](#) [CIH299430](#) [CIH29917](#) [CL159721A](#) [CP30170](#) [CP30174](#) [CIH684216](#) [FM686842](#) [CP30171](#) [CP30182](#) [CP30184](#) [CIH3021](#)  
[CL18875](#) [CL1850](#) [FCR7350Y](#) [FM686806](#) [CIH29950](#) [CIH29916](#) [CP30150](#) [CP30500C](#) [FCR1121](#) [FM12315](#) [CP30181](#) [CP30202M](#)  
[CP30202M3B](#) [CP30230X](#) [S6/BB PC \(CL1384\)](#) [CIH299450](#) [CL2075S](#)