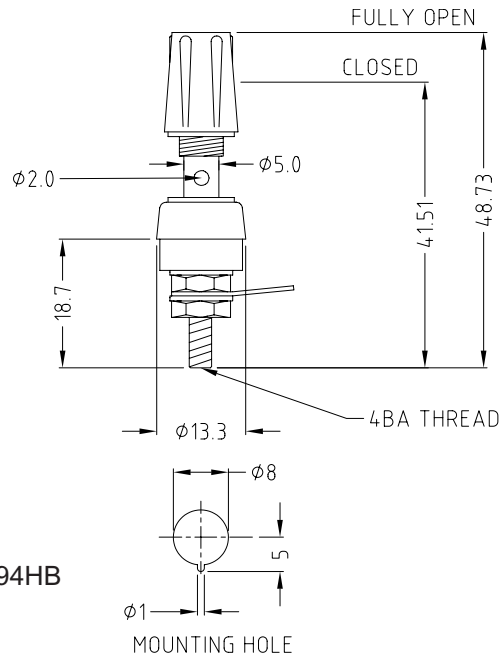


CLIFF

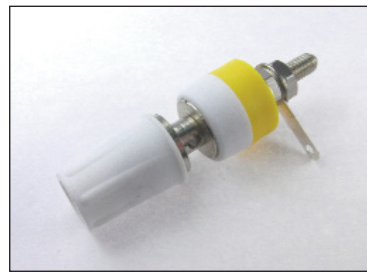
TERMINAL SERIES TP/2



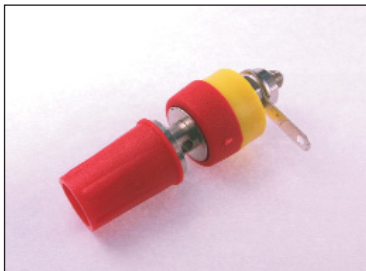
Current Rating: 15A.
Flammability: Min UL94HB



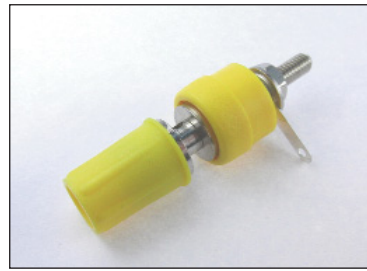
CL1550 - TP/2 BLACK
UNASSEMBLED



CL1554 - TP/2 WHITE
UNASSEMBLED



CL1551 - TP/2 RED
UNASSEMBLED



CL1557 - TP/2 YELLOW
UNASSEMBLED



CL1553 - TP/2 GREEN
UNASSEMBLED

Unassembled parts come with top and bottom insulators, nuts and washers bulk packed.

Parts with mounting hardware assembled for distribution can also be supplied. Contact sales for details.

All models can be supplied with either gold or nickel plated finish. Customised versions available dependant on MOQ's.

For further information, contact: sales@cliffuk.co.uk

Cliff Electronic Components Limited,
76 Holmethorpe Avenue, Holmethorpe Ind. Estate,
Redhill, Surrey RH1 2PF U.K.
Tel: +44 (0)1737 771375 Fax: +44 (0)1737 766012



Visit us online at:

www.cliffuk.co.uk



X-ON Electronics

Largest Supplier of Electrical and Electronic Components

Click to view similar products for [Test Plugs & Test Jacks](#) category:

Click to view products by [Cliff](#) manufacturer:

Other Similar products are found below :

[01-2601-4-0210](#) [01-2601-4-0212](#) [01-2604-4-0212](#) [01-2604-5-0210](#) [01-2150-1-0312](#) [01-2350-1-02](#) [01-2352-1-02](#) [01-2368-1-02](#) [01-2604-4-0210](#) [01-2604-5-0212](#) [01-2606-4-0210](#) [01-2606-4-0212](#) [01-2606-5-0212](#) [M39024/10-17G](#) [M39024/11-09G](#) [M39024/11-42](#) [M39024/11-43](#) [M39024/12-08](#) [707-5311](#) [707-5402-01-19](#) [707-5410](#) [923739-40-I](#) [R644543000](#) [R948161000](#) [R999351000](#) [1408-4](#) [1499-101](#) [1533-1](#) [1659559](#) [1659567](#) [1663921](#) [1663939](#) [1696-102](#) [174-R825B-EX](#) [NYS508-BU](#) [NYS508-O](#) [211-101](#) [RS100GBL](#) [RS250GBL](#) [251-102](#) [25-2251-2-03](#) [25-2259-2-03](#) [923743-16-I](#) [923743-24-I](#) [923743-28-I](#) [2854-BLU](#) [2970-BLK](#) [30-443G](#) [1680](#) [174-R819B-EX](#)