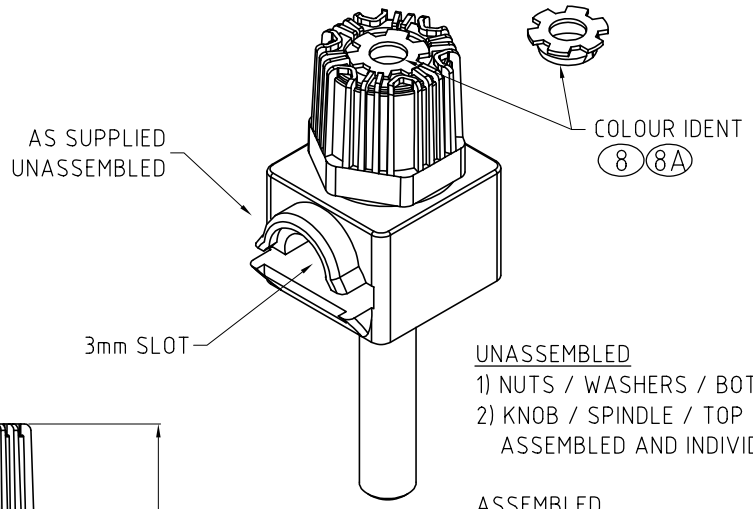
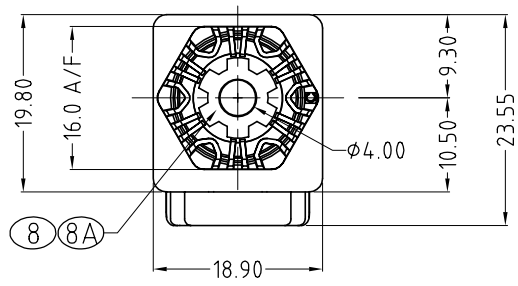
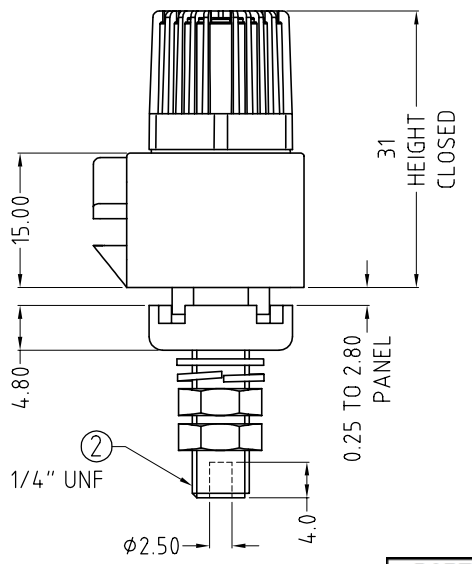
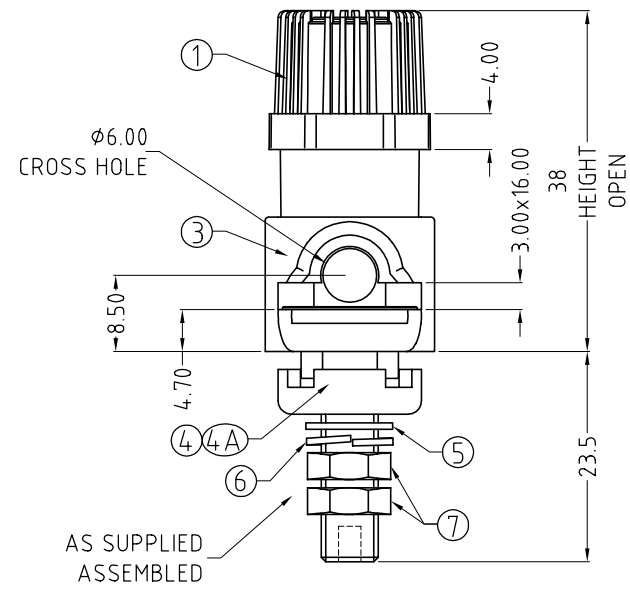


ISS.	AMEND	DATE
1	ISSUED	21/08/13
2	ERROR, SLOT WAS 2.0	13/02/14

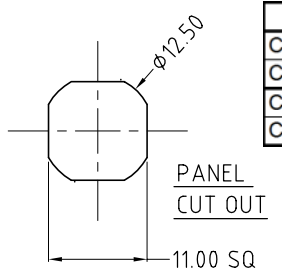
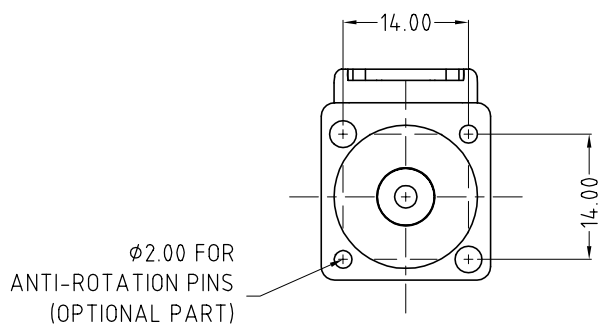


UNASSEMBLED
 1) NUTS / WASHERS / BOT INSULATOR SUPPLIED BULK PACKED.
 2) KNOB / SPINDLE / TOP INSULATOR / COLOUR IDENT ASSEMBLED AND INDIVIDUALLY BAGGED.

ASSEMBLED
 3) ALL PARTS ASSEMBLED AND INDIVIDUALLY BAGGED.



ITEM	DESCRIPTION	MATERIAL	COLOUR	QTY	PART No.
1	TP60V KNOB	PC	CLEAR	1	CL159830C
2	1/4" UNF SPINDLE SHORT	BRASS	GOLD	1	CL18125G
3	TOP INSULATOR	PC	CLEAR	1	198-05P
4	BOTTOM INSULATOR	POLYAMIDE	RED	1	198-06R
4A	BOTTOM INSULATOR	POLYAMIDE	BLACK	1	198-06B
5	PLAIN WASHER	STEEL	NICKEL PLATED	1	FCR159791SA6
6	SPRING WASHER	STAINLESS STEEL	N/A	1	FCR159791SA7
7	1/4" UNF NUT	STEEL	NICKEL PLATED	2	FCR159791SA8
8	KNOB IDENT Ø4.2 HOLE	POLYAMIDE	RED	1	FCR159780R
8A	KNOB IDENT Ø4.2 HOLE	POLYAMIDE	BLACK	1	FCR159780B



PART No.	SUPPLIED	KNOB	KNOB IDENT	TOP INS	BOT INS
CL159830CB	UNASSEMBLED	CLEAR	BLACK	CLEAR	BLACK
CL159830CR	UNASSEMBLED	CLEAR	RED	CLEAR	RED
CL159830CBA	ASSEMBLED	CLEAR	BLACK	CLEAR	BLACK
CL159830CRA	ASSEMBLED	CLEAR	RED	CLEAR	RED

- Maximum Current: 60A
- Contact Resistance: Gold <20mΩ
- Temperature Rating: -20°C to +80°C

RoHS COMPLIANT

TOLERANCE
 NO DEC. PLACE ± 0.50
 1 DEC. PLACE ± 0.20
 2 DEC. PLACE ± 0.10
 HOLE Ø ± 0.10
 ANGLES ± 1/2°
 UNLESS OTHERWISE STATED

Cliff Electronic Components Ltd.
 76 Holmehorpe Avenue, Holmehorpe Industrial Estate,
 Redhill, Surrey, RH1 2PF, England, UK
 Tel: 01737-771375 Fax: 01737-766012 Website: www.cliffuk.co.uk

DIMENSIONS IN MILLIMETERS UNLESS OTHERWISE STATED. WORK TO DIMENSIONS. REMOVE ALL BURRS. IF IN DOUBT ASK. 3rd ANGLE PROJECTION: DO NOT SCALE

MATERIAL: PC / BRASS / STEEL / S/S TITLE: TP60VSG TERMINAL POST
 FINISH: AS MOULDED - SEE TABLE

THE CONTENTS OF THIS DOCUMENT MUST NOT BE COPIED OR DISCLOSED TO A 3rd PARTY WITHOUT WRITTEN PERMISSION OF CLIFF UK. © 2013

DRAWN: T.J.O. APPROVED: D.P.J. DRWG. No. **CL159830C** FORM: A4DRWGH

X-ON Electronics

Largest Supplier of Electrical and Electronic Components

Click to view similar products for [Test Sockets](#) category:

Click to view products by [Cliff](#) manufacturer:

Other Similar products are found below :

[AXS-5032-04-02](#) [AXS-3225-04-06](#) [AXS-7050-04-12](#) [5662](#) [BP30-10-B](#) [BP30GNN-1 PKG](#) [BP30-10Y-1 PKG](#) [AXS-7050-04-01](#) [AXS-5032-04-06](#) [AXS-2520-04-01](#) [AXS-5032-04-04](#) [930308101](#) [931714101](#) [15.0084-21](#) [563-0500](#) [20.1020-21](#) [20-313137](#) [20-313139](#) [20-313144](#) [20-313140](#) [20-313143](#) [22.1042](#) [+ 22.2370-22](#) [23.1010-23, 24, 25, 26, 27](#) [24.0160-1+25.0035](#) [24.0160-4+25.0035](#) [24.116-22](#) [5281](#) [5279](#) [450-3704-01-06-00](#) [AXS-3225-04-04](#) [AXS-3225-04-10](#) [AXS-7550-06-03](#) [AXS-7550-06-05](#) [269RB](#) [2713BB](#) [BP30BN-1 PKG](#) [BP30RN-1 PKG](#) [571-0200](#) [450-3422-01-06-00](#) [450-3888-01-04-00](#) [BP30GP10](#) [571-0400](#) [571-0600](#) [66.9131-23](#) [66.9427-22](#) [BP21-2BRN-B PKG](#) [930058104](#) [930103102](#) [930103188](#) [930103700](#)