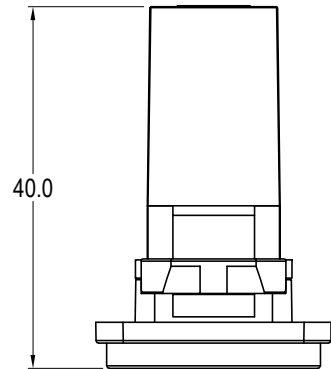
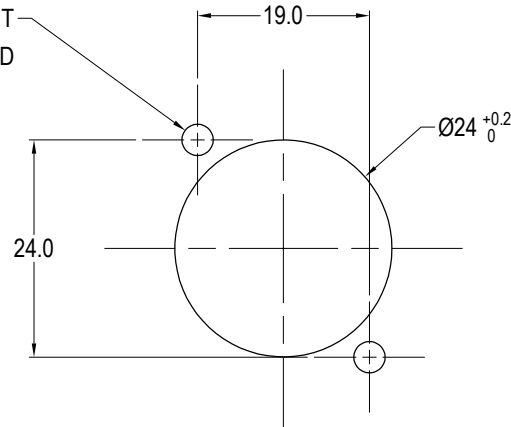


ISS.	AMEND	DATE
1	ISSUED	16/05/19



PANEL CUTOUT  
MAXIMUM PANEL  
THICKNESS 3mm

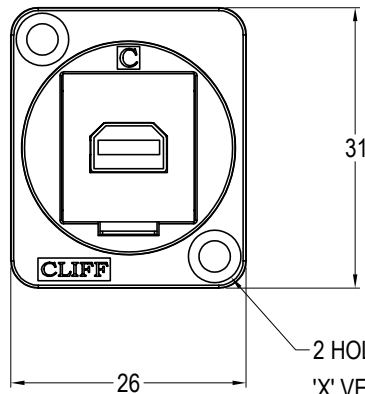
HOLES TO SUIT  
SCREW USED



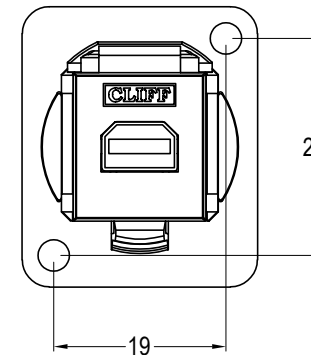
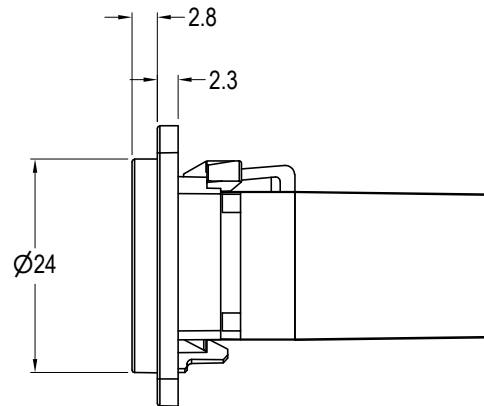
Material:

1. Insert: ABS
2. Frame: Polyamide UL94 V-2
3. Contacts: Gold Plated

VARIANTS	
PART NO.	HOLE DETAILS
CP30202	HOLE Ø3.50 X CSK 82° X Ø5.85
CP30202X	PLAIN HOLE Ø2.50



2 HOLES: Ø3.5mm CSK 82° x Ø5.85  
'X' VERSION HAS Ø2.5 HOLES.



**RoHS**  
COMPLIANT

TOLERANCE  
NO DEC. PLACE ±  
1 DEC. PLACE ±  
2 DEC. PLACE ±  
HOLE Ø ±  
ANGLES ±  
UNLESS  
OTHERWISE STATED

DO NOT SCALE

**Cliff Electronic Components Ltd.**

76 Holmethorpe Avenue, Holmethorpe Industrial Estate,  
Redhill, Surrey, RH1 2PF, England, UK  
Tel: 01737-771375 Fax: 01737-766012 Website: www.cliffuk.co.uk

THE CONTENTS OF THIS DOCUMENT MUST NOT BE COPIED OR DISCLOSED  
TO A 3rd PARTY WITHOUT WRITTEN PERMISSION OF CLIFF UK. © 2019

DIMENSIONS IN MILLIMETERS UNLESS OTHERWISE STATED. WORK TO DIMENSIONS. REMOVE ALL BURRS. IF IN DOUBT ASK.

3rd ANGLE PROJECTION:

MATERIAL: See Notes

FINISH: See Notes

DRAWN: T.J.O.

APPROVED: D.P.J.

TITLE: FEED THROUGH MINI DISPLAY PORT

DRWG. No. **CP30202**

FORM: A4DRWGF

## X-ON Electronics

Largest Supplier of Electrical and Electronic Components

*Click to view similar products for [HDMI, Displayport & DVI Connectors](#) category:*

*Click to view products by [Cliff](#) manufacturer:*

Other Similar products are found below :

[1775247-3](#) [2-1932649-5](#) [30-1231](#) [30-528](#) [2069485-1](#) [30-504](#) [30-519](#) [30-542](#) [47648-2000](#) [2002-400](#) [769-103/021-000](#) [1932649-1](#) [233-](#)  
[368NFG6-17NH](#) [DSP-8PH4-03](#) [AK-AD-38](#) [AK-AD-39](#) [A-DPM-HDMIF-002](#) [A-HDMI90-FML](#) [A-MDPM-HDMIF4K-01](#) [A-DPM-VGAF-02](#)  
[CCP-DPM-VGAM-6](#) [CC-MDP-HDMI-6](#) [67881](#) [HAFBF](#) [HBLBH](#) [HBLBI](#) [HAFBG](#) [HAFBH](#) [HAGBF](#) [HAGBG](#) [HAGBH](#) [HAGBI](#) [HAGBJ](#)  
[HBLBJ](#) [AABIE](#) [AABIF](#) [AABIG](#) [AABIH](#) [AABII](#) [AABIJ](#) [AABIK](#) [AABIL](#) [AACBE](#) [AACBF](#) [AACBG](#) [ABIBF](#) [ABIBG](#) [ABIBH](#) [42154](#)  
[ACEB0](#)