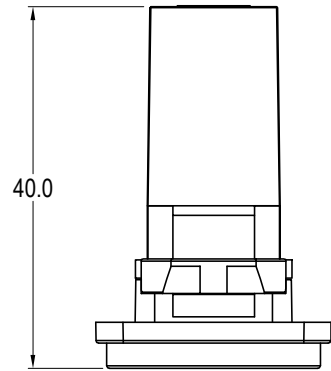
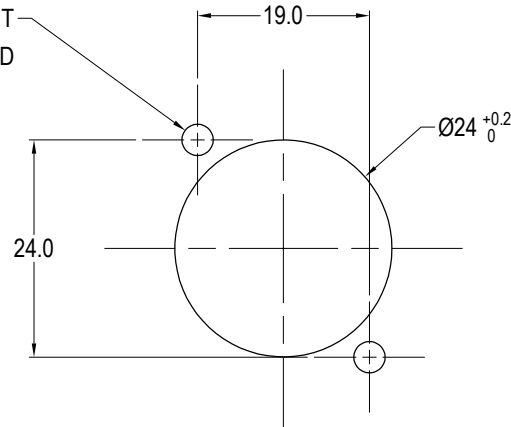


ISS.	AMEND	DATE
1	ISSUED	16/05/19



PANEL CUTOUT
MAXIMUM PANEL
THICKNESS 3mm

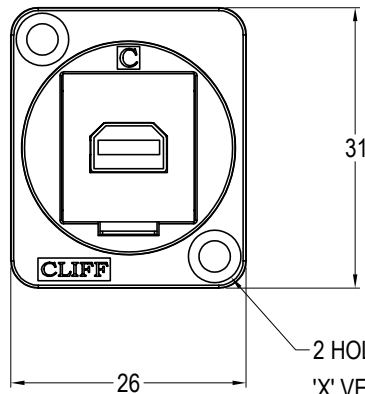
HOLES TO SUIT
SCREW USED



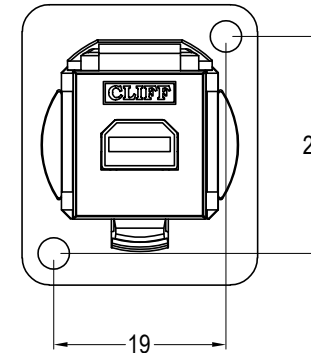
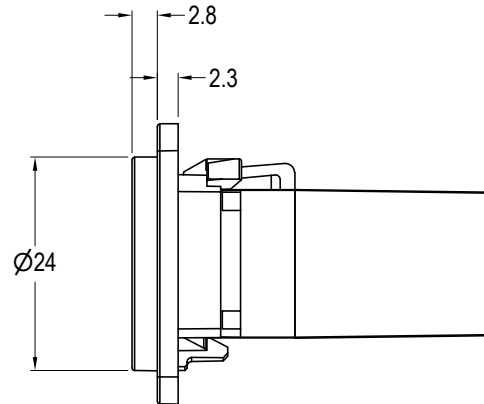
Material:

1. Insert: ABS
2. Frame: Polyamide UL94 V-2
3. Contacts: Gold Plated

VARIANTS	
PART NO.	HOLE DETAILS
CP30202	HOLE Ø3.50 X CSK 82° X Ø5.85
CP30202X	PLAIN HOLE Ø2.50



2 HOLES: Ø3.5mm CSK 82° x Ø5.85
'X' VERSION HAS Ø2.5 HOLES.



RoHS
COMPLIANT

TOLERANCE
NO DEC. PLACE ±
1 DEC. PLACE ±
2 DEC. PLACE ±
HOLE Ø ±
ANGLES ±
UNLESS
OTHERWISE STATED

DO NOT SCALE

Cliff Electronic Components Ltd.

76 Holmethorpe Avenue, Holmethorpe Industrial Estate,
Redhill, Surrey, RH1 2PF, England, UK
Tel: 01737-771375 Fax: 01737-766012 Website: www.cliffuk.co.uk

THE CONTENTS OF THIS DOCUMENT MUST NOT BE COPIED OR DISCLOSED
TO A 3rd PARTY WITHOUT WRITTEN PERMISSION OF CLIFF UK. © 2019

DIMENSIONS IN MILLIMETERS UNLESS OTHERWISE STATED. WORK TO DIMENSIONS. REMOVE ALL BURRS. IF IN DOUBT ASK.

3rd ANGLE PROJECTION:

MATERIAL: See Notes

FINISH: See Notes

DRAWN: T.J.O.

APPROVED: D.P.J.

TITLE: FEED THROUGH MINI DISPLAY PORT

DRWG. No. **CP30202**

FORM: A4DRWGF

X-ON Electronics

Largest Supplier of Electrical and Electronic Components

Click to view similar products for [HDMI, Displayport & DVI Connectors](#) category:

Click to view products by [Cliff](#) manufacturer:

Other Similar products are found below :

[1775247-3](#) [2-1932649-5](#) [30-1231](#) [30-528](#) [2069485-1](#) [30-504](#) [30-519](#) [30-542](#) [47648-2000](#) [2002-400](#) [769-103/021-000](#) [1932649-1](#) [233-368NFG6-17NH](#) [RPI-16338](#) [CCB-HDMIL-1.5M](#) [CCB-HDMIL-1M](#) [CCB-HDMIL-7.5M](#) [CCBP-HDMI-10M](#) [CCBP-HDMI8K-2M](#) [AK-AV-02](#) [AK-AV-03](#) [AK-AV-11](#) [AK-AV-13](#) [AK-AV-15](#) [AK-HD-100A](#) [AK-HD-100P](#) [AK-HD-15P](#) [AK-HD-30P](#) [DSP-2PH4-04](#) [DSP-4PH4-02](#) [DSP-8PH4-03](#) [AK-AD-38](#) [AK-AD-39](#) [RPI-14662](#) [RPI-16335](#) [A-DPM-DVIF-002-W](#) [A-DPM-DVIF-03-W](#) [A-DPM-HDMIF-002](#) [A-DVI-VGA](#) [A-HDMI90-FML](#) [A-MDPM-DPF-001-W](#) [A-MDPM-HDMIF-02-W](#) [A-MDPM-HDMIF4K-01](#) [75053](#) [75603](#) [75777](#) [75844](#) [75919](#) [A-DPM-HDMIF-002-W](#) [AK-330126-100-S](#)