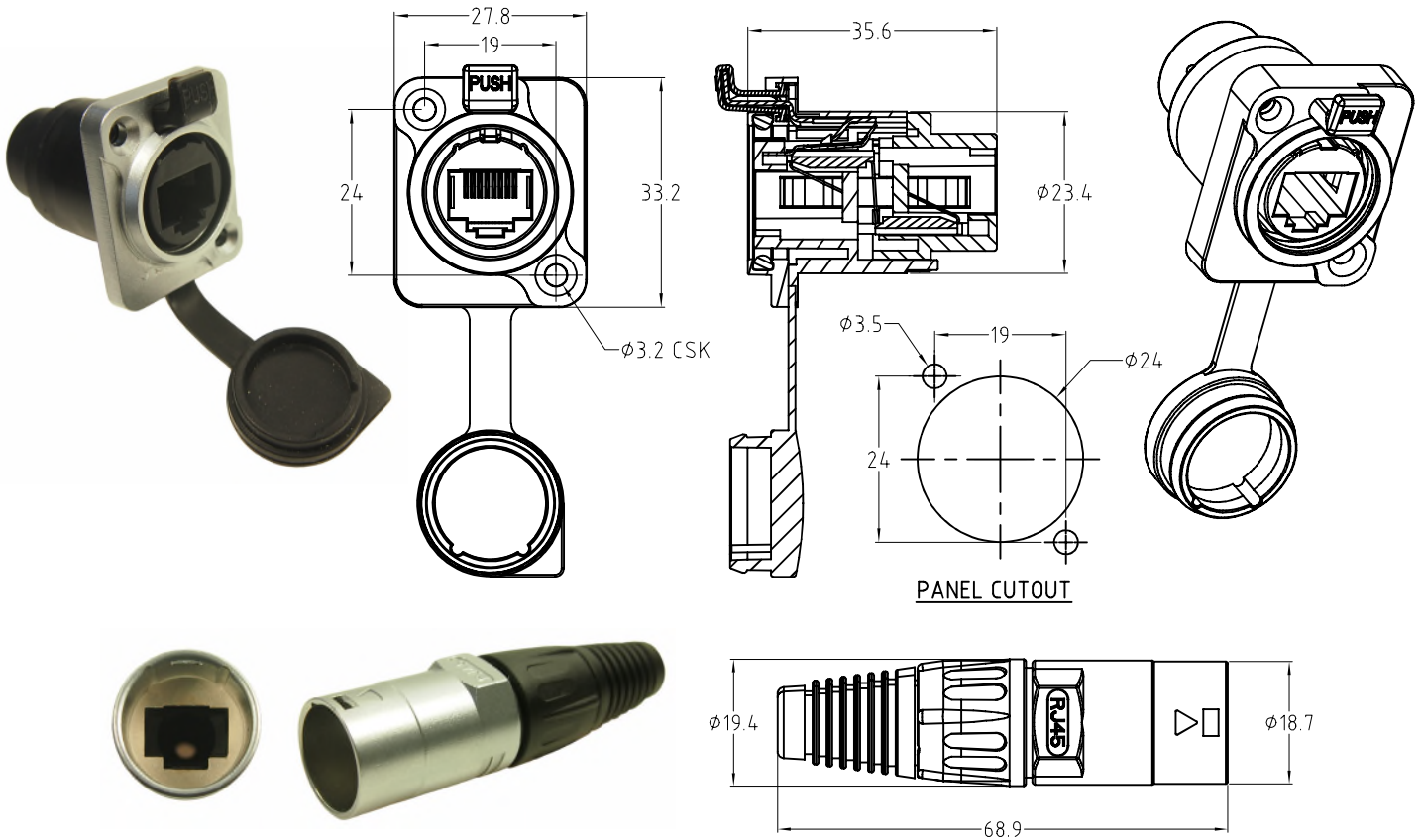


# CLIFF

## XLR CAT5e RJ45 IP65 FEEDTHROUGH AND PLUG CARRIER

A metal frame Cat5e RJ45 feedthrough socket with IP65 rating. The compatible XLR style plug carrier allows connection of an RJ45 plug. (Not supplied)



NOTE: THIS IS A PLUG CARRIER ONLY.  
RJ45 PLUG IS NOT SUPPLIED

### Feedthrough Features

- Fits standard XLR Ø24mm cutout.
- IP65 rated.
- Secure, snap-in lockable design.
- Integrated dust cover.
- Utilises commonly available RJ45 Cat5e male cables
- Cable diameter - Ø4.5-Ø7mm
- Shields high frequency noise and EMI
- No soldering or punch termination.

### General:

Please note: Functionality is affected by cable quality, length and cable wiring configuration.

### Part No.

**CP30220MIP65S**  
**CP30220MIP65P**

Cat5e RJ45 IP65 Socket, metal  
Cat5e RJ45 IP65 Plug carrier, metal

### Specification

Contact Resistance:	<10mΩ
Dielectric strength:	1K VDC
Frequency range:	1-100MHz
Insulation resistance:	>0.5GΩ
Rated current per contact:	1.5A
Rated voltage:	50V
Transmission performance:	CAT5e / Class D
Lifetime:	>1000 mating cycles
Temperature Range:	-30°C to +80°C

## X-ON Electronics

Largest Supplier of Electrical and Electronic Components

*Click to view similar products for [Modular Connectors](#) / [Ethernet Connectors](#) category:*

*Click to view products by [Cliff](#) manufacturer:*

Other Similar products are found below :

[8949-H88/06BLKA/SN](#) [74441-0010/BKN](#) [MP1010RX-1000](#) [MP44RX-1000](#) [PHJ-4P4C-1-V-4](#) [PHP-6P6C-5](#) [GAX-3-66](#) [GAX-8-62](#) [GDCX-PA-66-50](#) [GDCX-PN-64](#) [GDCX-PN-66](#) [GDCX-PN-66-50](#) [GDLX-A-66](#) [GDLX-N-66](#) [GDLX-S-66](#) [GDLX-S-88K](#) [GDLX-SMT-S-88](#) [GDTX-S-88-50](#) [GDX-PA-1010](#) [GLX-A-44](#) [GLX-N-1010M-BLK](#) [GLX-S-88M-BLK](#) [GMX-N-1010](#) [GMX-S-1010](#) [GMX-S-66](#) [GMX-SMT4-N-88](#) [GPX-2-64](#) [GSGX-N-2-88](#) [GSGX-N-4-88](#) [GSX-NS2-88-3.05](#) [GSX-NS2-88-3.05-50](#) [GSX-NS-88-3.05-50](#) [PT-108A-8C-UL](#) [PT-J951-8C](#) [PTS-J531-8CS-50UL](#) [1-1775629-2](#) [A-2014-0-4](#) [GWLX-S-88-GR](#) [GWLX-S9-88-YG](#) [DC-1021-8-WH-6](#) [1300530003](#) [1324640-4](#) [RJ11FTVC2G](#) [RJ11FTVC2N](#) [RJFTVX2SA1G](#) [132764-001](#) [1413235](#) [MP88X-1000](#) [MPS88RX-5000](#) [E5288-S000K3-L](#)