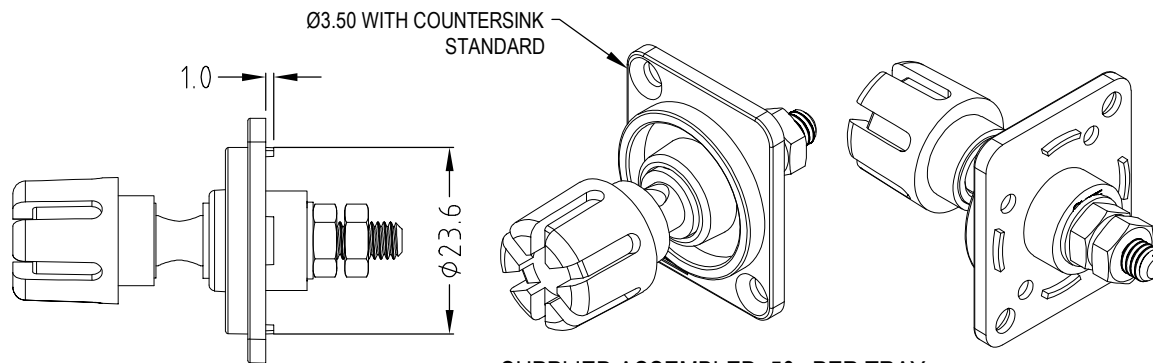
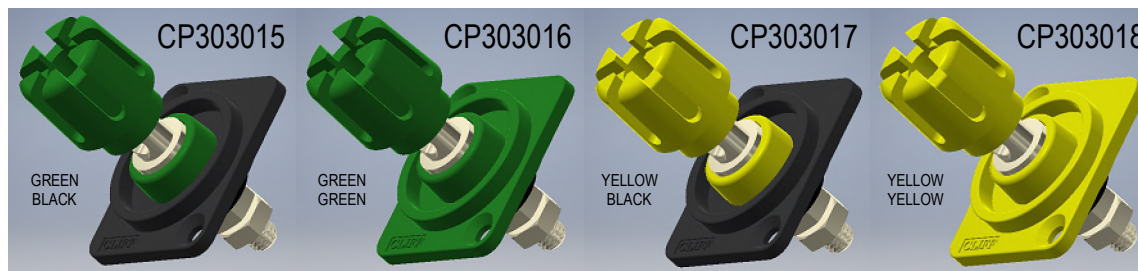
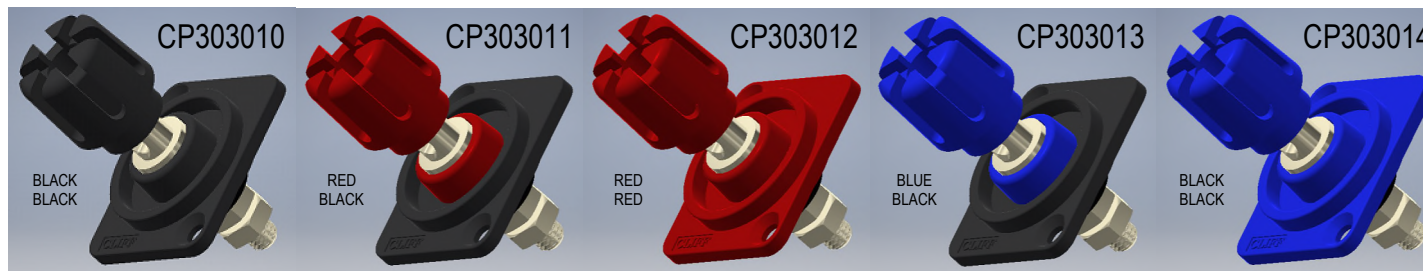
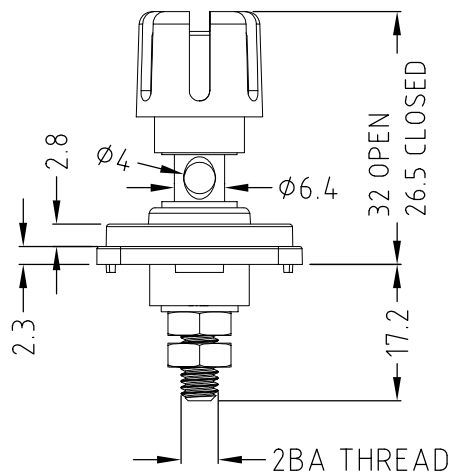


Ø3.50 WITH COUNTERSINK



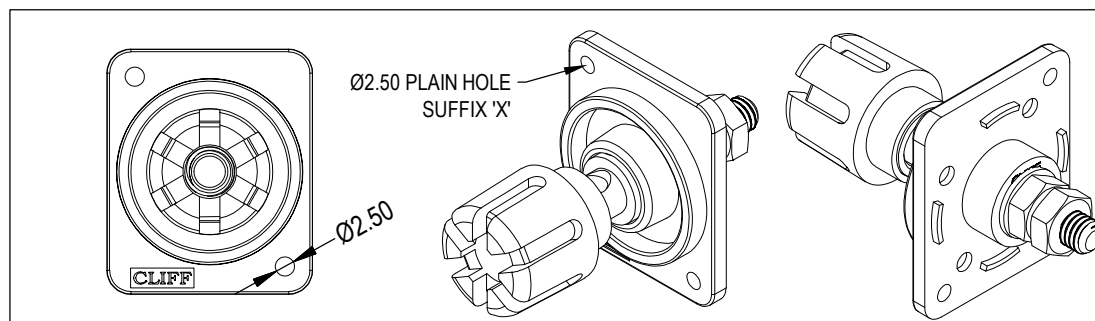
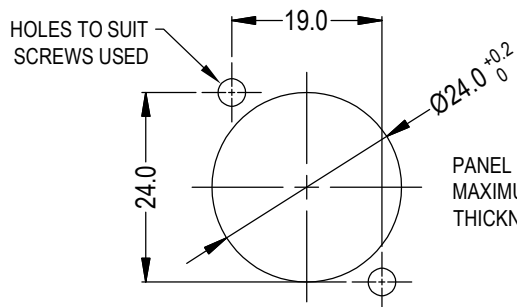
SUPPLIED ASSEMBLED, 50x PER TRAY

ISS.	AMEND	DATE
1	ISSUED	14/03/17
2	ADD COLOUR REF	17/04/17



PART NUMBERS FOR Ø3.50 COUNTERSINK HOLES SHOWN.

FOR PLAIN Ø2.50 HOLE VERSION ADD SUFFIX 'X'.



**RoHS**  
COMPLIANT

TOLERANCE  
 NO DEC. PLACE ±  
 1 DEC. PLACE ±  
 2 DEC. PLACE ±  
 HOLE Ø ±  
 ANGLES ±  
 UNLESS OTHERWISE STATED

**Cliff Electronic Components Ltd.**

76 Holmehorpe Avenue, Holmehorpe Industrial Estate,  
 Redhill, Surrey, RH1 2PF, England, UK  
 Tel: 01737-771375 Fax: 01737-766012 Website: www.cliffuk.co.uk

THE CONTENTS OF THIS DOCUMENT MUST NOT BE COPIED OR DISCLOSED TO A 3rd PARTY WITHOUT WRITTEN PERMISSION OF CLIFF UK. © 2017

DIMENSIONS IN MILLIMETERS UNLESS OTHERWISE STATED. WORK TO DIMENSIONS. REMOVE ALL BURRS. IF IN DOUBT ASK.

3rd ANGLE PROJECTION:

DO NOT SCALE

MATERIAL: COMPOSITE

TITLE: XRP3 TP6S (CSK + PLAIN HOLE)

FINISH: CLEAN

DRAWN: D.P.J.

APPROVED: D.P.J.

DRWG. No. **CP303010** FORM: A4DRWG-F

## X-ON Electronics

Largest Supplier of Electrical and Electronic Components

*Click to view similar products for [Loudspeaker Connectors](#) category:*

*Click to view products by [Cliff](#) manufacturer:*

Other Similar products are found below :

[HFRP-01](#) [LRX](#) [FE6935](#) [EP-3-14](#) [CC-212](#) [CC-226](#) [FM1250](#) [FM1255](#) [FM1275](#) [FM1285](#) [SP-2-MDH](#) [NL4FRX](#) [NL4MMX](#) [NL4MPR](#)  
[NL4MP-ST](#) [NL8FC](#) [NLT4FP-BAG](#) [NLT8MP](#) [NLT8MP-BAG](#) [SP-4-MDV](#) [EP-8-11P](#) [EP-6-13P](#) [HPCC4FT](#) [NL4FX-5](#) [NL4MD-H](#) [NL4MD-](#)  
[V-2](#) [NL4MP-UC](#) [NLJ2MD-H](#) [NLT4MP](#) [SCNLT](#) [CP303010](#) [CP303010X](#) [HFRP-01B](#) [SP-2-FSG](#) [SP-2-FNSG](#) [AP-4-12](#) [AP-4-21](#) [AP-5-22](#)  
[AP-6-14](#) [AP-8-13](#) [EP-3-13P](#) [EP-4-13PB](#) [EP-4-14](#) [EP-5-12](#) [EP-5-13P](#) [EP-5-14B](#) [EP-6-14](#) [EP-8-11PB](#) [EP-8-14](#) [NA4FC-M](#)