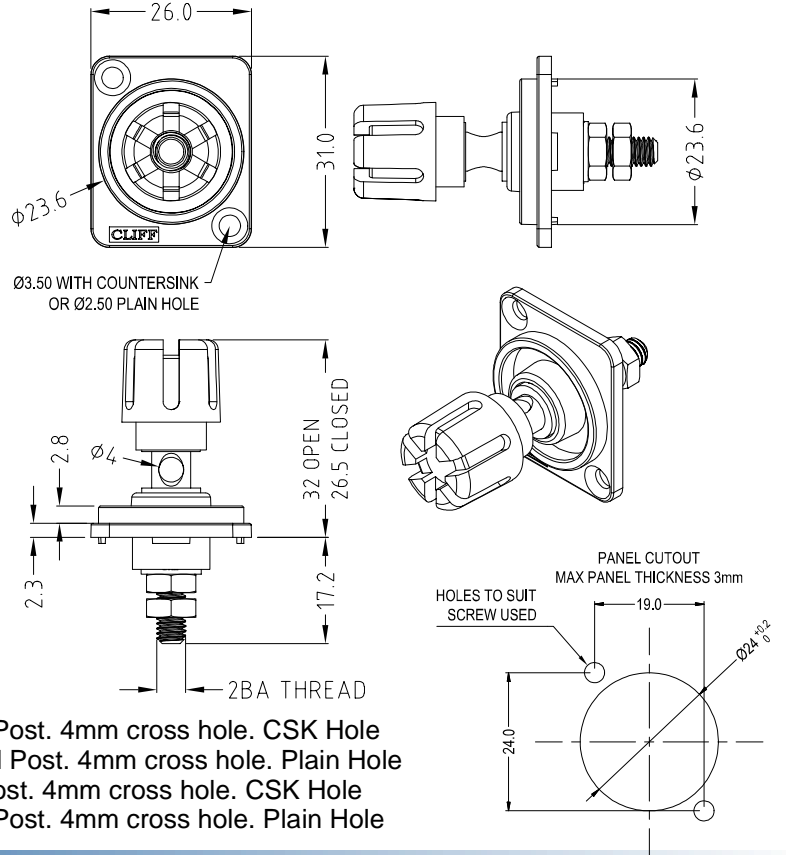




## XRP RECESS PLATES

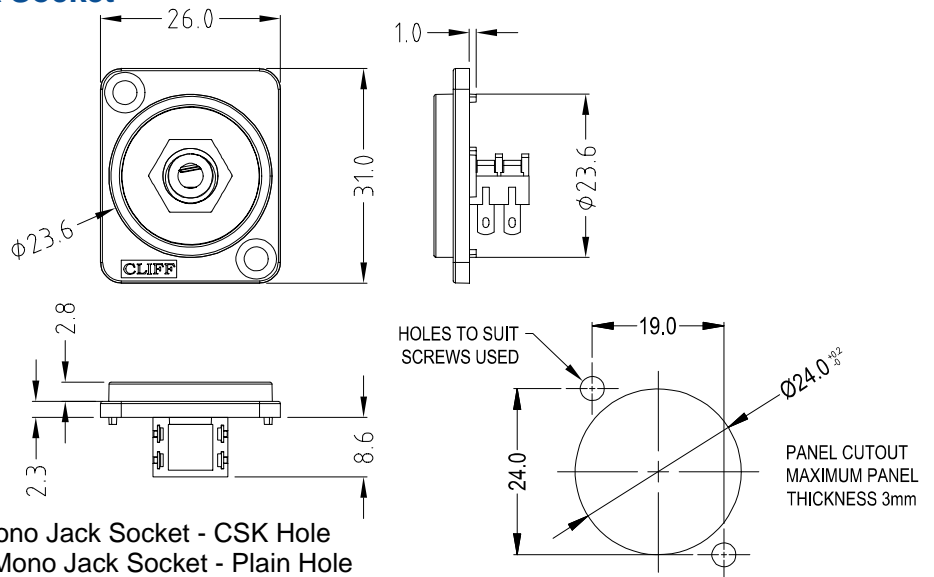
The Cliff range of XLR Recess plates enable the easy mounting of components into panels, using standard Ø24mm XLR panel cutout. Plates can be front or rear mounted. Plate material is Nylon.

### Plate mounted with 30A. Terminal Post



- CP303010** - XRP3 with Black 30A. TP6 Terminal Post. 4mm cross hole. CSK Hole
- CP303010X** - XRP3 with Black 30A. TP6 Terminal Post. 4mm cross hole. Plain Hole
- CP303011** - XRP3 with Red 30A. TP6 Terminal Post. 4mm cross hole. CSK Hole
- CP303011X** - XRP3 with Red 30A. TP6 Terminal Post. 4mm cross hole. Plain Hole

### Plate mounted with 3.5mm Jack Socket

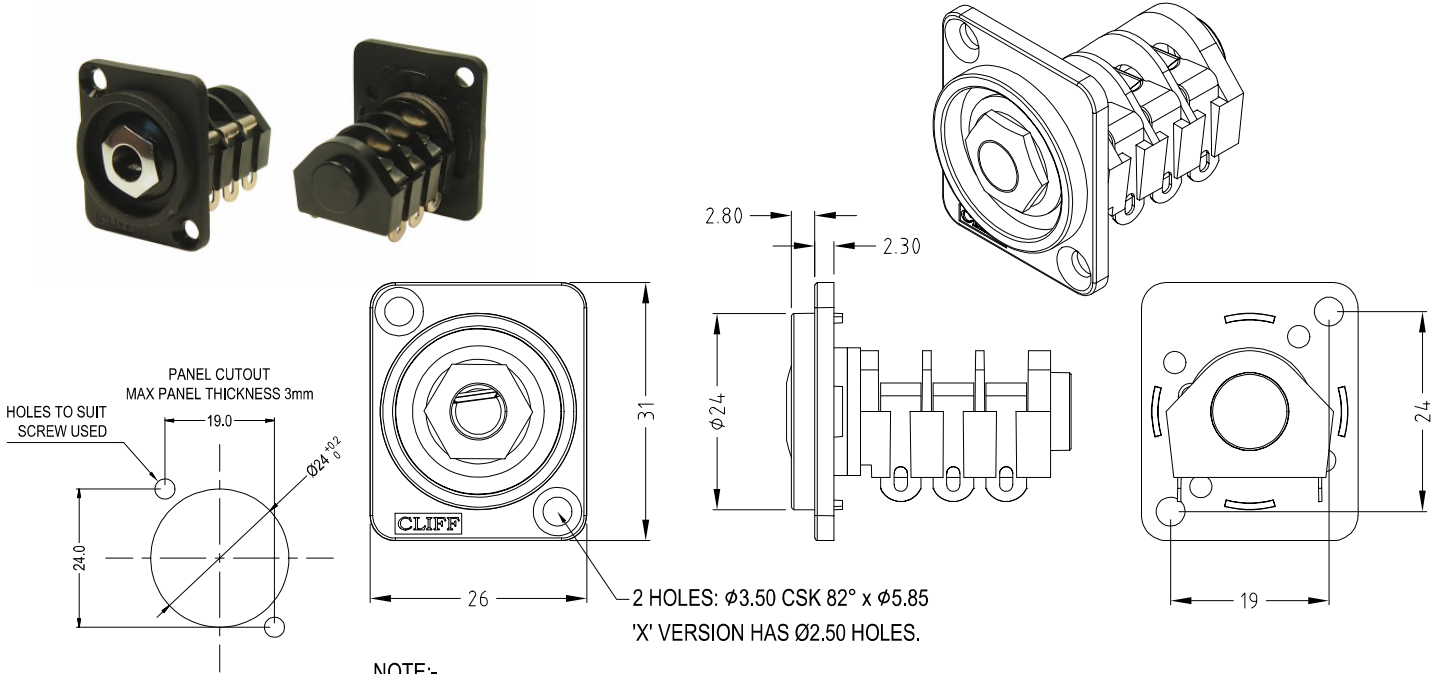


- CP303075** - XRP3 with S6/BB 3.5mm Mono Jack Socket - CSK Hole
- CP303075X** - XRP3 with S6/BB 3.5mm Mono Jack Socket - Plain Hole

# CLIFF

## XRP RECESS PLATES

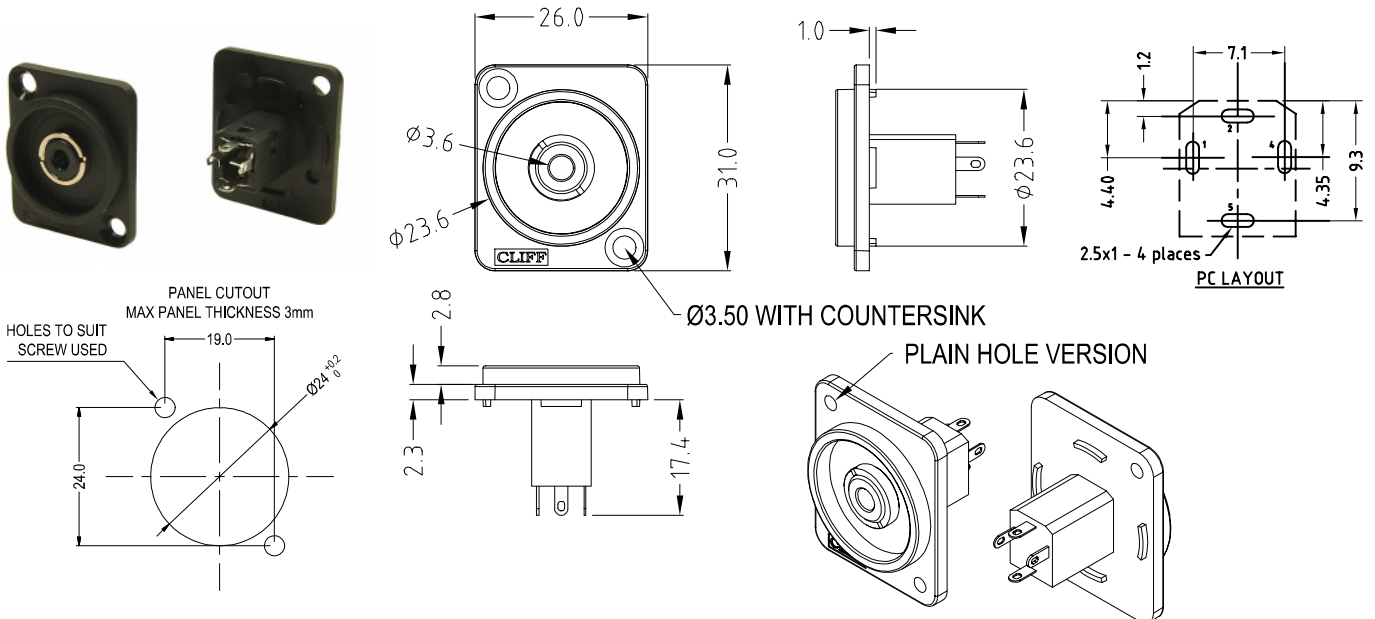
### Plate mounted with 6.35mm Stereo Jack Socket



**CP303080** - XRP3 with S4/BBB 6.35mm Stereo Jack Socket - CSK Hole

**CP303080X** - XRP3 with S4/BBB 6.35mm Stereo Jack Socket - Plain Hole

### Plate mounted with 3.5mm Vertical Stereo Jack Socket, PC Mount.



**CP303100** - XRP3 with 3.5mm Vertical Stereo Jack Socket - PC Mounting, CSK Hole

**CP303100X** - XRP3 with 3.5mm Vertical Stereo Jack Socket - PC Mounting, Plain Hole

**Cliff Electronic Components Limited,**  
76 Holmethorpe Avenue, Holmethorpe Ind. Estate,  
Redhill, Surrey RH1 2PF U.K.  
Tel: +44 (0)1737 771375 Fax: +44 (0)1737 766012



[www.cliffuk.co.uk](http://www.cliffuk.co.uk)

## X-ON Electronics

Largest Supplier of Electrical and Electronic Components

*Click to view similar products for [XLR Connectors](#) category:*

*Click to view products by [Cliff](#) manufacturer:*

Other Similar products are found below :

[707-0300](#) [A3F01](#) [QGP3F](#) [HA16PRM-3SG\(71\)](#) [AAA4FWZ](#) [AAA4MWZ](#) [AC3MMB-AU BULK](#) [AC5FPZB](#) [AC6AFDZV](#) [D4FB](#) [DE4MW](#)  
[E3MBAUSW](#) [99.265.0400.0](#) [A3F04](#) [AC3FG](#) [AC4-FCP](#) [AQG4F](#) [2504FP](#) [R6MZ](#) [3FD-V-I-B](#) [3MD-V-I-B](#) [TA01](#) [TA3MWX](#) [TA5MLWX](#)  
[TRASM4M1X](#) [TRASM7M1X](#) [ML1](#) [TS05TS](#) [3FD-L-I-\(O\)](#) [D6FDB](#) [DB25FTRS](#) [DHNF-BAG-MAD](#) [DHNF-BAG-O](#) [DHNM-BAG](#)  
[XLR05TRS](#) [XLRM05XLR05](#) [XLRM05XLRFB](#) [XLRM10XLR05](#) [E3FBAUSW](#) [E3FSW](#) [E3MSW](#) [SR03](#) [TA4FLWX](#) [TA6FLWX](#)  
[TRAPC8M1X](#) [TRASM6M1X](#) [TRS10TRS](#) [TRSF05XLRM](#) [TRSF10XLRM](#) [TS10TS](#)