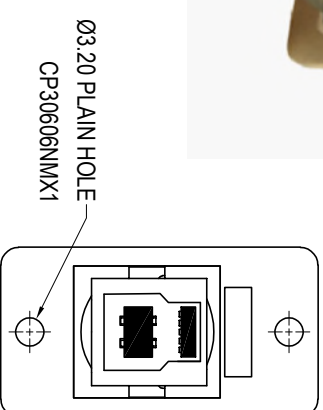
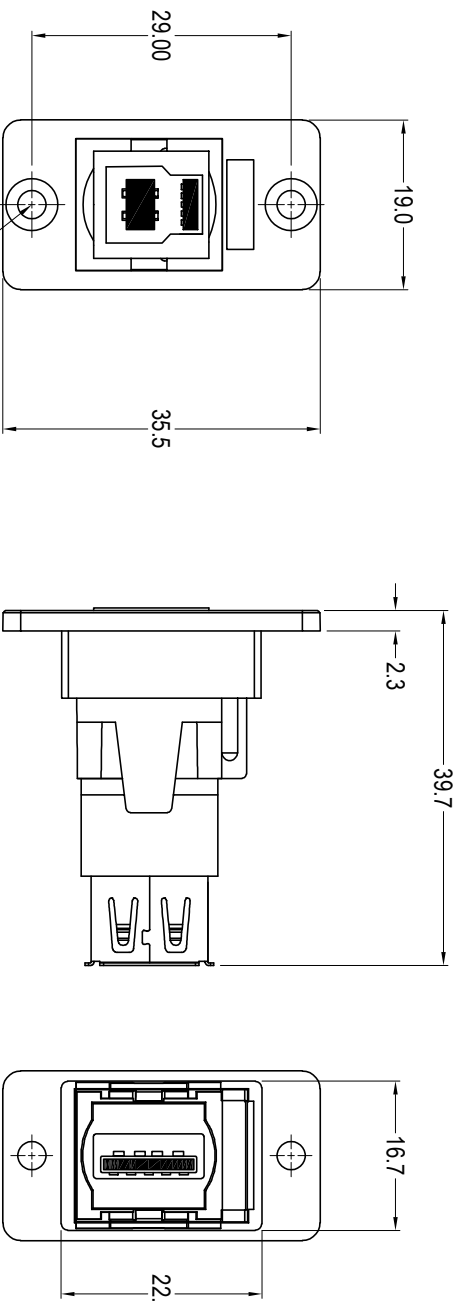
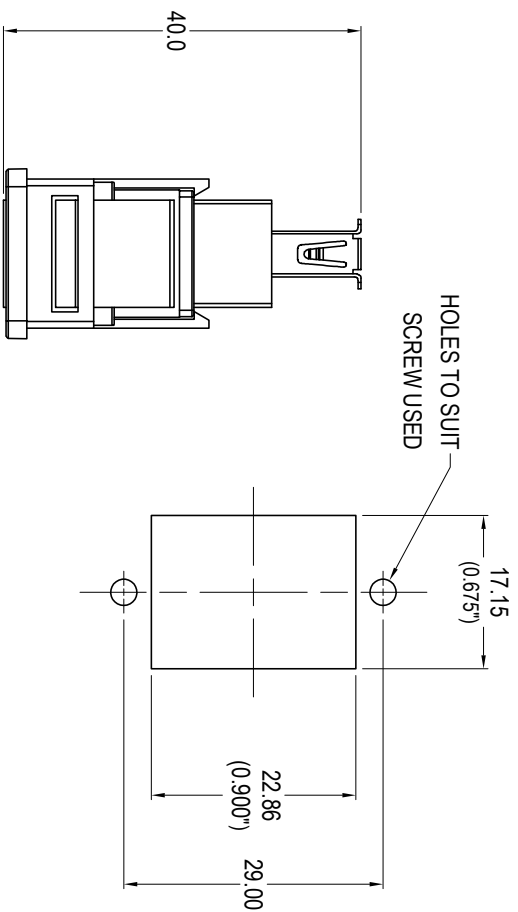
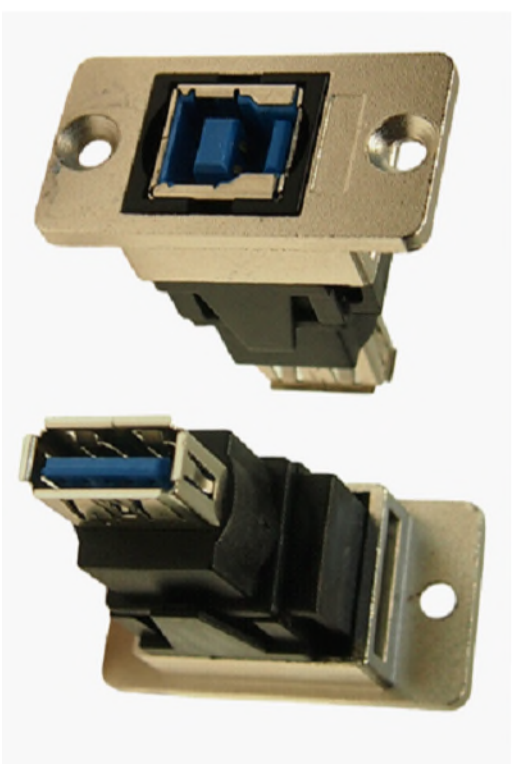


ISS	AMEND	DATE
1	ISSUED	12/01/21



VARIANTS	
PART NO.	HOLE DETAILS
CP30606NM	HOLE Ø3.2 x CSK 90° x Ø5.85
CP30606NMX1	PLAIN HOLE Ø3.2

2x HOLE VARIANTS

Ø3.2mm CSK 90° x Ø5.85
PLAIN Ø3.2 HOLES

- Specification:
1. Voltage rating: 30V AC
 2. Current rating: 1.8A max
 3. Contact resistance: 50mΩ max
 4. Insulation resistance: 20MΩ min
 5. Dielectric withstanding voltage: 500V AC
 6. Operating Temperature: -20°C to 50°C

- Material:
1. Insert: ABS UL94 HB
 2. FT Frame: Zinc Diecast, Nickel Plated
 3. Inner Overmouldings: PE + PVC
 4. Shell: Nickel plated steel
 5. Contacts: Gold Plated



TOLERANCE
NO DEC. PLACE ±
1 DEC. PLACE ±
2 DEC. PLACE ±
HOLE Ø ±
ANGLES ±
UNLESS
OTHERWISE STATED

DIMENSIONS IN MILLIMETERS UNLESS OTHERWISE STATED. WORK TO DIMENSIONS. REMOVE ALL BURRS. IF IN DOUBT ASK. 3rd ANGLE PROJECTION.



DO NOT SCALE

Cliff Electronic Components Ltd.

76 Holmechore Avenue, Holmechore Industrial Estate,
Redhill, Surrey, RH1 2PF, England, UK
Tel: 01737 771375 Fax: 01737 766012 Website: www.cliffuk.co.uk

MATERIAL: See Notes
FINISH: See Notes
DRAWN: T.J.O.

TITLE: FRONT MOUNT METAL SLIM FT USB3 B-A
DRWG. No. CP30606NM

FORM: A4DRWGH

THE CONTENTS OF THIS DOCUMENT MUST NOT BE COPIED OR DISCLOSED TO A 3rd PARTY WITHOUT WRITTEN PERMISSION OF CLIFF UK © 2021

X-ON Electronics

Largest Supplier of Electrical and Electronic Components

Click to view similar products for [USB Connectors](#) category:

Click to view products by [Cliff](#) manufacturer:

Other Similar products are found below :

[65-647-8-BK-BU](#) [950](#) [952](#) [E8144-B01021-L](#) [A-USB A-LP-SMT-C](#) [A-USB B-TOP-C](#) [MUSBA511N5](#) [MUSBD11135](#) [217450-1](#) [KMBVX-TH-5S-B30](#) [896-30-004-00-000000](#) [KUSBVX-BS1N-W30](#) [KUSBX-AP-KIT-SCBLK](#) [KUSBX-AS2N-W](#) [KUSBX-SMT2AP1S-W30](#) [935](#) [957](#) [30-498-6](#) [SK-60A-2](#) [17-210051](#) [1734082-1](#) [30-1574](#) [30-470](#) [30-489](#) [30-541](#) [30-572-3](#) [A-USB A-2P-C](#) [MIKROE-1451](#) [USBFTV2PEM2G](#) [USBFTVC6ZN](#) [KUSBX-AS2N-W30](#) [KUSBX-SLAS1N-W](#) [KUSBX-SMT-AS1N-W30](#) [4689-1](#) [1-1734084-2](#) [E8110-001-01](#) [33UBARS1-04SW11](#) [33UBAR-04SW11](#) [USBF21ZNSCC](#) [USBBFTV6ZC](#) [10135326-001LF](#) [M9177/3-1](#) [USB-A-S-F-B-VT](#) [925](#) [4198](#) [690-024-633-031](#) [KUSBEX-BSFS1N-W](#) [USBFTVC6MRG](#) [UA-20BMFA-SL8001](#) [17-200011](#)