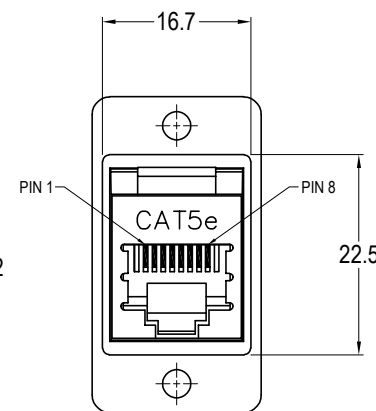
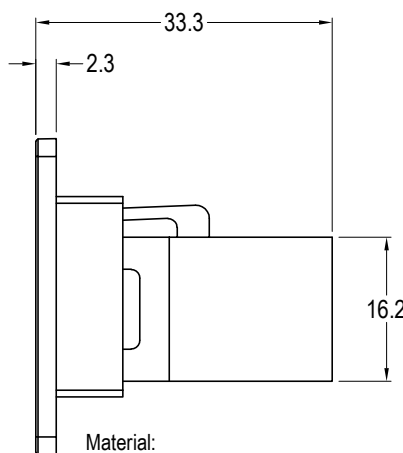
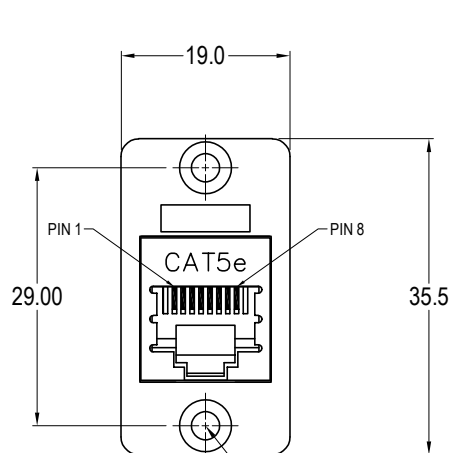
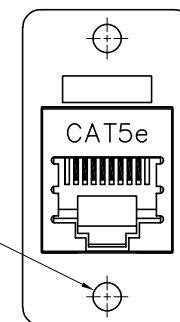
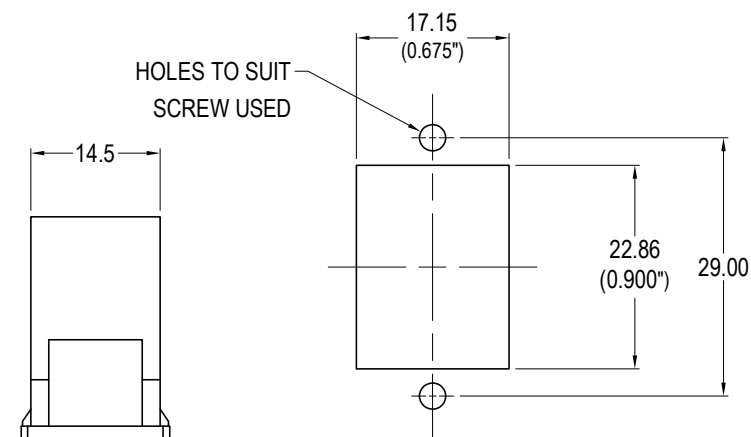
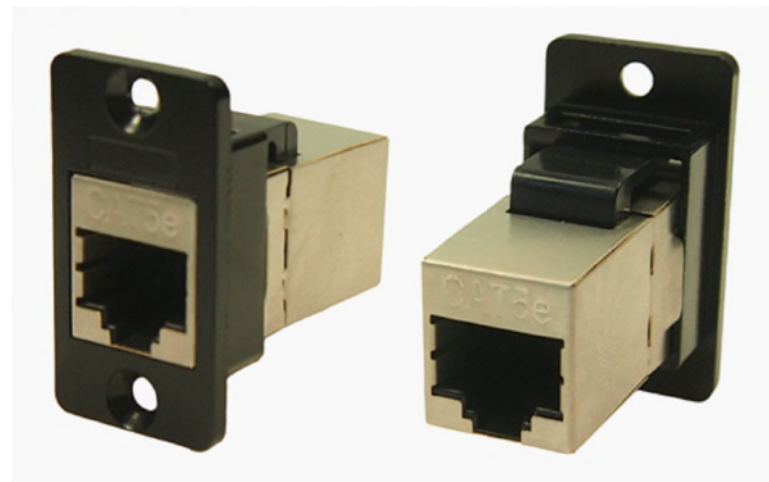


ISS.	AMEND	DATE
1	ISSUED	01/03/21



Ø3.20 PLAIN HOLE
CP30620SMBX1

VARIANTS	
PART NO.	HOLE DETAILS
CP30620SMB	HOLE Ø3.2 x CSK 90° x Ø5.85
CP30620SMBX1	PLAIN HOLE Ø3.2

2x HOLE VARIANTS
Ø3.2mm CSK 90° x Ø5.85
PLAIN Ø3.2 HOLES

- Material:
1. RJ45 In-Line Coupler: Black PC or ABS, UL94 V-0 Fully Shielded
 2. RJ45 In-Line Coupler Contact: Phosphor Bronze, 3-50 micro inches gold plating over nickel plate.
 3. PCB: FR4, UL94 V-0
 4. FT Frame: Zinc Diecast, Black

- Performance:
1. T568A & T568B wiring.
 2. Meet ISO/IEC 11801 and EN50173
 3. Meet ANSI/TIA/EIA 568B.2
 4. Operating Temperatures: Min -10°C Max +70°C

RoHS
COMPLIANT

TOLERANCE
NO DEC. PLACE ±
1 DEC. PLACE ±
2 DEC. PLACE ±
HOLE Ø ±
ANGLES ±
UNLESS OTHERWISE STATED

Cliff Electronic Components Ltd.

76 Holmethorpe Avenue, Holmethorpe Industrial Estate,
Redhill, Surrey, RH1 2PF, England, UK
Tel: 01737-771375 Fax: 01737-766012 Website: www.cliffuk.co.uk

THE CONTENTS OF THIS DOCUMENT MUST NOT BE COPIED OR DISCLOSED TO A 3rd PARTY WITHOUT WRITTEN PERMISSION OF CLIFF UK. © 2021

DIMENSIONS IN MILLIMETERS UNLESS OTHERWISE STATED. WORK TO DIMENSIONS. REMOVE ALL BURRS. IF IN DOUBT ASK.

MATERIAL: See Notes

FINISH: See Notes

DRAWN: T.J.O.

APPROVED: D.P.J.

3rd ANGLE PROJECTION:

TITLE: FRONT MOUNT BLACK METAL SLIM FT FTP CAT5e RJ45 SHIELDED

DRWG. No. CP30620SMB

DO NOT SCALE

FORM: A4DRWGH

X-ON Electronics

Largest Supplier of Electrical and Electronic Components

Click to view similar products for [Modular Connectors](#) / [Ethernet Connectors](#) category:

Click to view products by [Cliff](#) manufacturer:

Other Similar products are found below :

[8949-H88/06BLKA/SN](#) [74441-0010/BKN](#) [MP1010RX-1000](#) [MP44RX-1000](#) [PHJ-4P4C-1-V-4](#) [PHP-6P6C-5](#) [GAX-3-66](#) [GAX-8-62](#) [GDCX-PA-66-50](#) [GDCX-PN-64](#) [GDCX-PN-66](#) [GDCX-PN-66-50](#) [GDLX-A-66](#) [GDLX-N-66](#) [GDLX-S-66](#) [GDLX-S-88K](#) [GDLX-SMT-S-88](#) [GDTX-S-88-50](#) [GDX-PA-1010](#) [GLX-A-44](#) [GLX-N-1010M-BLK](#) [GLX-S-88M-BLK](#) [GMX-N-1010](#) [GMX-S-1010](#) [GMX-S-66](#) [GMX-SMT4-N-88](#) [GPX-2-64](#) [GSGX-N-2-88](#) [GSGX-N-4-88](#) [GSX-NS2-88-3.05](#) [GSX-NS2-88-3.05-50](#) [GSX-NS-88-3.05-50](#) [PT-108A-8C-UL](#) [PT-J951-8C](#) [PTS-J531-8CS-50UL](#) [1-1775629-2](#) [A-2014-0-4](#) [GWLX-S-88-GR](#) [GWLX-S9-88-YG](#) [DC-1021-8-WH-6](#) [1300530003](#) [1324640-4](#) [RJ11FTVC2G](#) [RJ11FTVC2N](#) [RJFTVX2SA1G](#) [132764-001](#) [1413235](#) [MP88X-1000](#) [MPS88RX-5000](#) [E5288-S000K3-L](#)