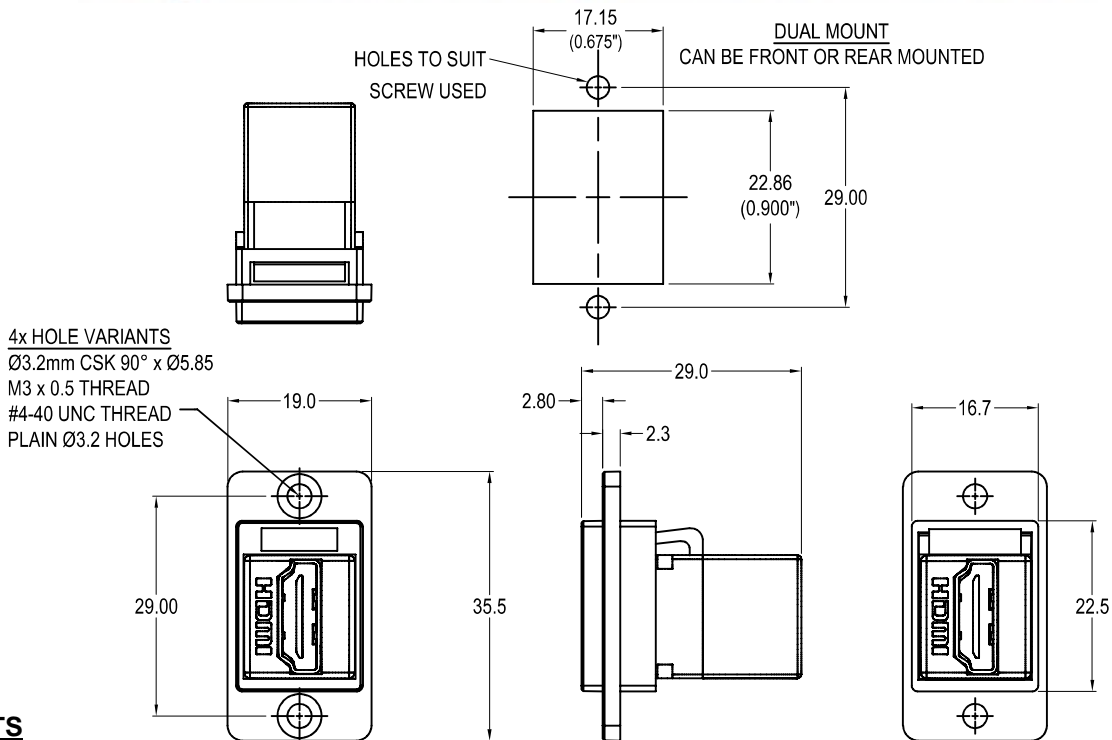


# CLIFF

## DUALSLIM HDMI FEMALE - FEMALE METAL FRAME FEEDTHROUGH

Can be front or rear mounted in the panel



### VARIANTS

Part No.

<b>CP30700GM</b>	DUALSLIM HDMI F-F Nickel frame, CSK holes
<b>CP30700GMB</b>	DUALSLIM HDMI F-F Black metal frame, CSK holes
<b>CP30700GM3</b>	DUALSLIM HDMI F-F Nickel frame, M3 holes
<b>CP30700GMB3</b>	DUALSLIM HDMI F-F Black metal frame, M3 holes
<b>CP30700GM440</b>	DUALSLIM HDMI F-F Nickel frame, #4-40 holes
<b>CP30700GMB440</b>	DUALSLIM HDMI F-F Black metal frame, #4-40 holes
<b>CP30700GMX1</b>	DUALSLIM HDMI F-F Nickel frame, Ø3.2 PLAIN holes
<b>CP30700GMBX1</b>	DUALSLIM HDMI F-F Black metal frame, Ø3.2 PLAIN holes

### Feedthrough Features

- Fits standard rectangular cutout.
- Front or rear mounting through the panel.
- Various hole mounting options.
- No soldering or punch termination. Use standard cable for each connector style.
- Low rear profile.

### General:

Please note: Functionality is affected by cable quality, length and cable wiring configuration.

### Material:

1. Insert: ABS UL94 HB
2. Frame: Diecast, Nickel or Black plated
3. Shell: Gold plated
4. Contacts: Gold Plated

© CLIFF 02/2021 ISS.1

For further information, contact [sales@cliffuk.co.uk](mailto:sales@cliffuk.co.uk)

**Cliff Electronic Components Limited,**  
76 Holmethorpe Avenue, Holmethorpe Ind. Estate,  
Redhill, Surrey RH1 2PF U.K.  
Tel: +44 (0)1737 771375 Fax: +44 (0)1737 766012



[www.cliffuk.co.uk](http://www.cliffuk.co.uk)

## **X-ON Electronics**

Largest Supplier of Electrical and Electronic Components

*Click to view similar products for [Cliff](#) manufacturer:*

Other Similar products are found below :

[300PN](#) [5XNACF/PC90L \(CP300405\)](#) [5XNACM/PC90\(CP300255\)](#) [ACF](#) [ACM](#) [APF](#) [APM](#) [BS300LLL](#) [BS3058](#) [C1066D](#) [P6C-D](#) [CIH22105](#)  
[CIH29890](#) [CIH29916](#) [CIH29920](#) [CIH29922](#) [CIH29925](#) [CIH299430](#) [CIH299450](#) [CIH29950](#) [CIH3006](#) [CIH3007](#) [CIH3021](#) [CIH30240B](#)  
[CIH30240G](#) [CIH30240R](#) [CIH30241B](#) [CIH30241G](#) [CIH30241R](#) [CL11061 S1V/SBB](#) [CL1110 S1/BNB](#) [CL1115](#) [CL1115 S1/BBB](#) [CL12207](#)  
[CL12321K](#) [CL12327](#) [CL1232A](#) [CL12345](#) [CL1282A](#) [CL1308G](#) [CL13106G](#) [CL13345](#) [CL1362](#) [CL1382](#) [CL1382A](#) [CL1382G](#) [CL1382L](#)  
[CL1382P](#) [CL1382R](#) [CL1382W](#) [CL1382Y](#)