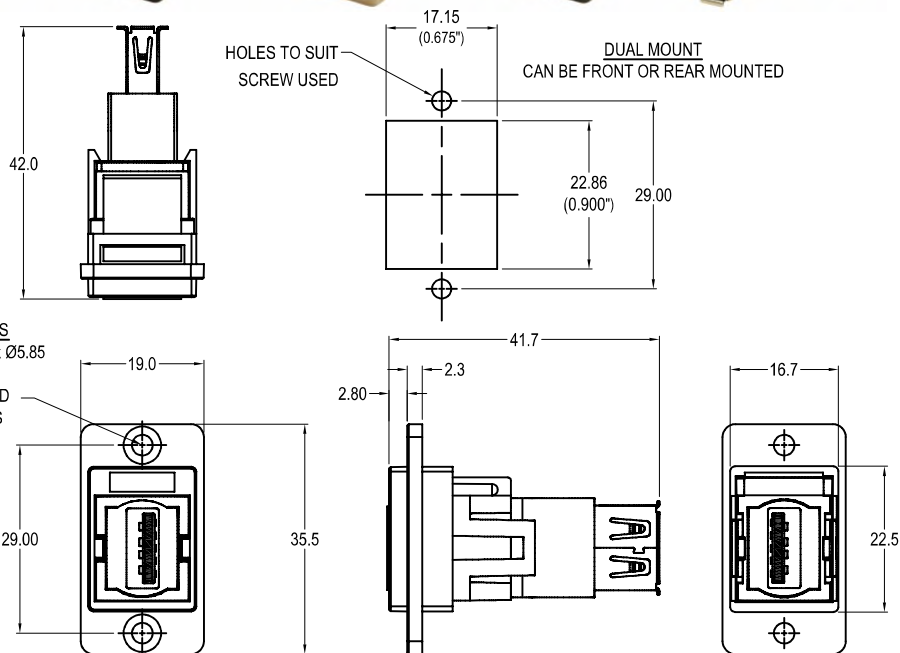


# CLIFF

## DUALSLIM USB3.0 A-A METAL FRAME FEEDTHROUGH CONNECTOR

Can be front or rear mounted in the panel



### VARIANTS

Part No.

<b>CP30705NM</b>	DUALSLIM USB3.0 A-A Nickel frame, CSK holes
<b>CP30705NMB</b>	DUALSLIM USB3.0 A-A Black metal frame, CSK holes
<b>CP30705NM3</b>	DUALSLIM USB3.0 A-A Nickel frame, M3 holes
<b>CP30705NMB3</b>	DUALSLIM USB3.0 A-A Black metal frame, M3 holes
<b>CP30705NM440</b>	DUALSLIM USB3.0 A-A Nickel frame, #4-40 holes
<b>CP30705NMB440</b>	DUALSLIM USB3.0 A-A Black metal frame, #4-40 holes
<b>CP30705NMX1</b>	DUALSLIM USB3.0 A-A Nickel frame, Ø3.2 PLAIN holes
<b>CP30705NMBX1</b>	DUALSLIM USB3.0 A-A Black metal frame, Ø3.2 PLAIN holes

### Feedthrough Features

- Fits standard rectangular cutout.
- Front or rear mounting through the panel.
- Various hole mounting options.
- No soldering or punch termination. Use standard cable for each connector style.
- Low rear profile.

### General:

Please note: Functionality is affected by cable quality, length and cable wiring configuration.

### Material:

1. Insert: ABS UL94 HB
2. Frame: Diecast, Nickel or Black plated
3. Inner Overmouldings: PE + PVC
4. Shell: Nickel plated steel
5. Contacts: Gold Plated

### Notes:

1. Voltage rating: 30V ac
2. Current rating: 1.8 A max
3. Contact resistance: 50mΩ max
4. Insulation resistance: 20MΩ min
5. Dielectric withstanding voltage: 500V AC
6. Operating Temperature: -20°C to 50°C

## X-ON Electronics

Largest Supplier of Electrical and Electronic Components

*Click to view similar products for [USB Connectors](#) category:*

*Click to view products by [Cliff](#) manufacturer:*

Other Similar products are found below :

[65-647-8-BK-BU](#) [950](#) [952](#) [E8144-B01021-L](#) [A-USB A-LP-SMT-C](#) [A-USB B-TOP-C](#) [MUSBA511N5](#) [MUSBD11135](#) [217450-1](#) [KMBVX-TH-5S-B30](#) [896-30-004-00-000000](#) [KUSBVX-BS1N-W30](#) [KUSBX-AP-KIT-SCBLK](#) [KUSBX-AS2N-W](#) [KUSBX-SMT2AP1S-W30](#) [935](#) [957](#) [30-498-6](#) [SK-60A-2](#) [17-210051](#) [1734082-1](#) [30-1574](#) [30-470](#) [30-489](#) [30-541](#) [30-572-3](#) [A-USB A-2P-C](#) [MIKROE-1451](#) [USBFTV2PEM2G](#) [USBFTVC6ZN](#) [KUSBX-AS2N-W30](#) [KUSBX-SLAS1N-W](#) [KUSBX-SMT-AS1N-W30](#) [4689-1](#) [1-1734084-2](#) [E8110-001-01](#) [33UBARS1-04SW11](#) [33UBAR-04SW11](#) [USBF21ZNSCC](#) [USBBFTV6ZC](#) [10135326-001LF](#) [M9177/3-1](#) [USB-A-S-F-B-VT](#) [925](#) [4198](#) [690-024-633-031](#) [KUSBEX-BSFS1N-W](#) [USBFTVC6MRG](#) [UA-20BMFA-SL8001](#) [17-200011](#)