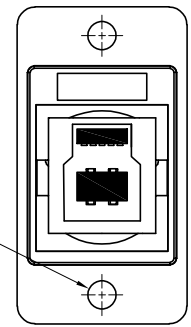
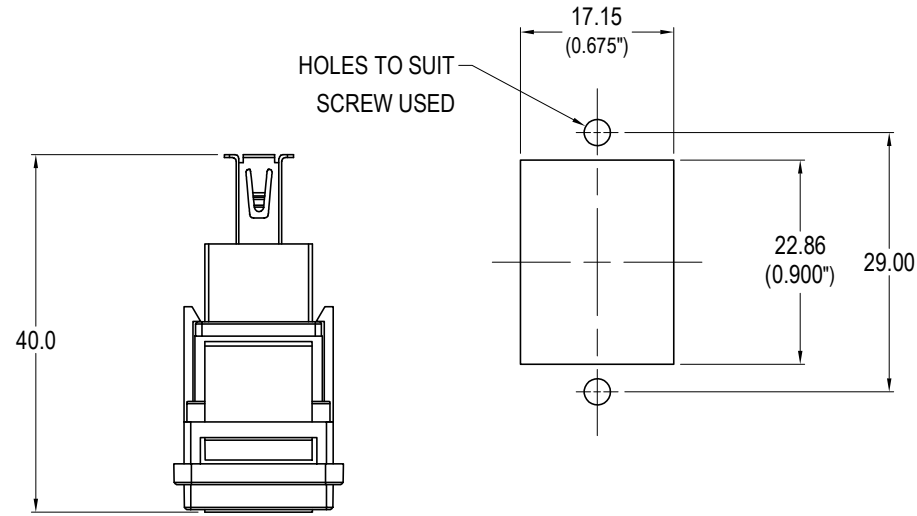
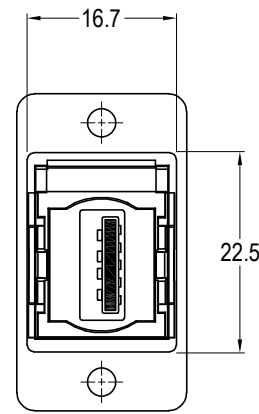
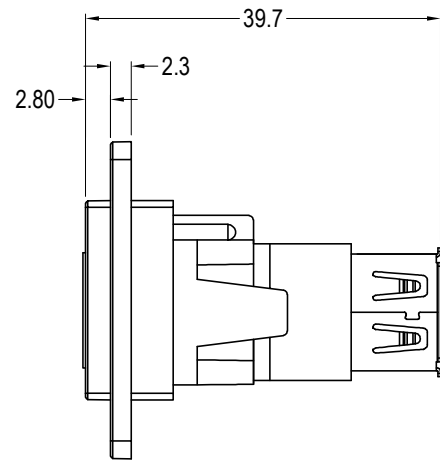
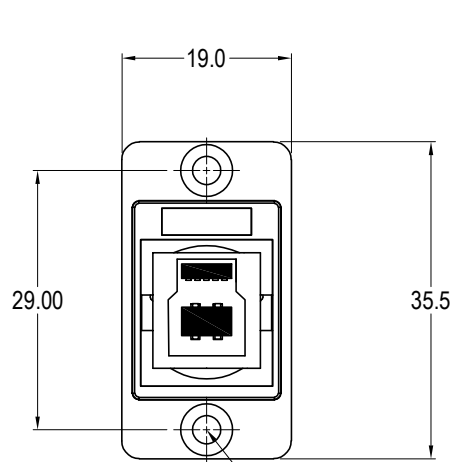


ISS.	AMEND	DATE
1	ISSUED	07/01/21

DUAL MOUNT  
CAN BE FRONT OR REAR MOUNTED



Ø3.20 PLAIN HOLE  
CP30706NMBX1



VARIANTS	
PART NO.	HOLE DETAILS
CP30706NMB	HOLE Ø3.2 x CSK 90° x Ø5.85
CP30706NMB3	M3 HOLES
CP30706NMB440	#4-40 HOLES
CP30706NMBX1	PLAIN HOLE Ø3.2

4x HOLE VARIANTS  
Ø3.2mm CSK 90° x Ø5.85  
M3 x 0.5 THREAD  
#4-40 UNC THREAD  
PLAIN Ø3.2 HOLES

Specification:

- Voltage rating: 30V AC
- Current rating: 1.8A max
- Contact resistance: 50mΩ max
- Insulation resistance: 20MΩ min
- Dielectric withstanding voltage: 500V AC
- Operating Temperature: -20°C to 50°C

Material:

- Insert: ABS UL94 HB
- FT Frame: Diecast, Black
- Inner Overmouldings: PE + PVC
- Shell: Nickel plated steel
- Contacts: Gold Plated

**RoHS**  
✓ COMPLIANT

TOLERANCE  
NO DEC. PLACE ±  
1 DEC. PLACE ±  
2 DEC. PLACE ±  
HOLE Ø ±  
ANGLES ±  
UNLESS OTHERWISE STATED

**Cliff Electronic Components Ltd.**  
76 Holmethorpe Avenue, Holmethorpe Industrial Estate,  
Redhill, Surrey, RH1 2PF, England, UK  
Tel: 01737-771375 Fax: 01737-766012 Website: www.cliffuk.co.uk

DIMENSIONS IN MILLIMETERS UNLESS OTHERWISE STATED. WORK TO DIMENSIONS. REMOVE ALL BURRS. IF IN DOUBT ASK.

3rd ANGLE PROJECTION:

DO NOT SCALE

MATERIAL: See Notes  
FINISH: See Notes

TITLE: DUAL BLACK METAL SLIM FT USB3 B-A

THE CONTENTS OF THIS DOCUMENT MUST NOT BE COPIED OR DISCLOSED TO A 3rd PARTY WITHOUT WRITTEN PERMISSION OF CLIFF UK. © 2021

DRAWN: T.J.O.

APPROVED: D.P.J.

DRWG. No. **CP30706NMB** FORM: A4DRWGH

## X-ON Electronics

Largest Supplier of Electrical and Electronic Components

*Click to view similar products for [USB Connectors](#) category:*

*Click to view products by [Cliff](#) manufacturer:*

Other Similar products are found below :

[65-647-8-BK-BU](#) [950](#) [952](#) [E8144-B01021-L](#) [A-USB A-LP-SMT-C](#) [A-USB B-TOP-C](#) [MUSBA511N5](#) [MUSBD11135](#) [217450-1](#) [KMBVX-TH-5S-B30](#) [896-30-004-00-000000](#) [KUSBVX-BS1N-W30](#) [KUSBX-AP-KIT-SCBLK](#) [KUSBX-AS2N-W](#) [KUSBX-SMT2AP1S-W30](#) [935](#) [957](#) [30-498-6](#) [SK-60A-2](#) [17-210051](#) [1734082-1](#) [30-1574](#) [30-470](#) [30-489](#) [30-541](#) [30-572-3](#) [A-USB A-2P-C](#) [MIKROE-1451](#) [USBFTV2PEM2G](#) [USBFTVC6ZN](#) [KUSBX-AS2N-W30](#) [KUSBX-SLAS1N-W](#) [KUSBX-SMT-AS1N-W30](#) [4689-1](#) [1-1734084-2](#) [E8110-001-01](#) [33UBARS1-04SW11](#) [33UBAR-04SW11](#) [USBF21ZNSCC](#) [USBBFTV6ZC](#) [10135326-001LF](#) [M9177/3-1](#) [USB-A-S-F-B-VT](#) [925](#) [4198](#) [690-024-633-031](#) [KUSBEX-BSFS1N-W](#) [USBFTVC6MRG](#) [UA-20BMFA-SL8001](#) [17-200011](#)