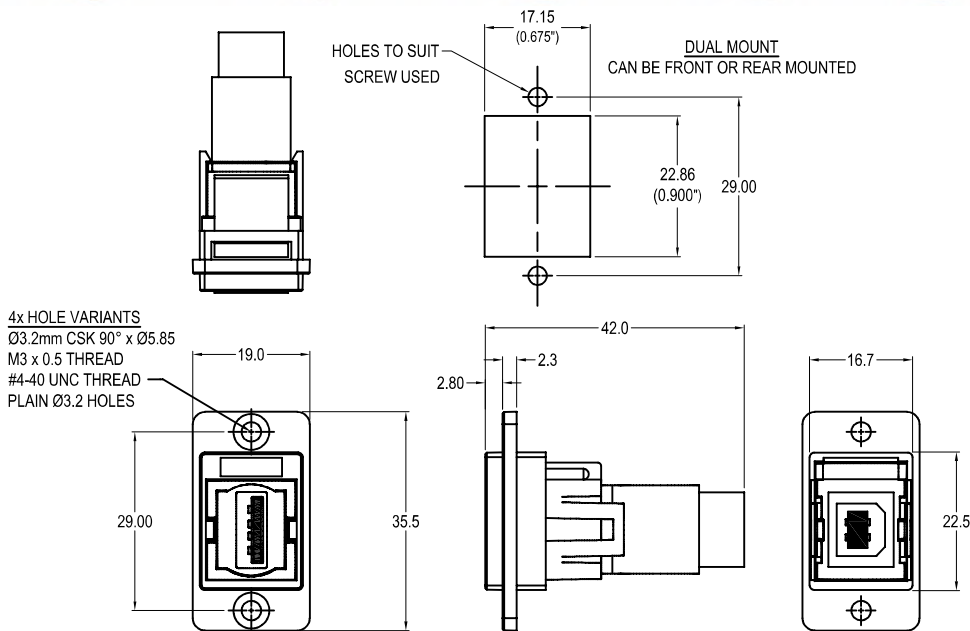


CLIFF

DUALSLIM USB2.0 A-B METAL FRAME FEEDTHROUGH CONNECTOR

Can be front or rear mounted in the panel



4x HOLE VARIANTS
 Ø3.2mm CSK 90° x Ø5.85
 M3 x 0.5 THREAD
 #4-40 UNC THREAD
 PLAIN Ø3.2 HOLES

VARIANTS

Part No.

- | | |
|----------------------|---|
| CP30709NM | DUALSLIM USB2.0 A-B Nickel frame, CSK holes |
| CP30709NMB | DUALSLIM USB2.0 A-B Black metal frame, CSK holes |
| CP30709NM3 | DUALSLIM USB2.0 A-B Nickel frame, M3 holes |
| CP30709NMB3 | DUALSLIM USB2.0 A-B Black metal frame, M3 holes |
| CP30709NM440 | DUALSLIM USB2.0 A-B Nickel frame, #4-40 holes |
| CP30709NMB440 | DUALSLIM USB2.0 A-B Black metal frame, #4-40 holes |
| CP30709NMX1 | DUALSLIM USB2.0 A-B Nickel frame, Ø3.2 PLAIN holes |
| CP30709NMBX1 | DUALSLIM USB2.0 A-B Black metal frame, Ø3.2 PLAIN holes |

Feedthrough Features

- Fits standard rectangular cutout.
- Front or rear mounting through the panel.
- Various hole mounting options.
- No soldering or punch termination. Use standard cable for each connector style.
- Low rear profile.

General:

Please note: Functionality is affected by cable quality, length and cable wiring configuration.

Material:

1. Insert: ABS
2. Frame: Diecast, Nickel or Black plated
3. Inner Overmouldings: PE + PVC
4. Shell: Nickel plated steel
5. Contacts: Gold Plated

Notes:

1. Voltage rating: 30V AC
2. Current rating: 1.5 A max
3. Contact resistance: 50mΩ max
4. Insulation resistance: 20MΩ min
5. Dielectric withstanding voltage: 500V AC
6. Operating Temperature: -20°C to 50°C

X-ON Electronics

Largest Supplier of Electrical and Electronic Components

Click to view similar products for [USB Connectors](#) category:

Click to view products by [Cliff](#) manufacturer:

Other Similar products are found below :

[65-647-8-BK-BU](#) [950](#) [952](#) [E8144-B01021-L](#) [A-USB A-LP-SMT-C](#) [A-USB B-TOP-C](#) [MUSBA511N5](#) [MUSBD11135](#) [217450-1](#) [KMBVX-TH-5S-B30](#) [896-30-004-00-000000](#) [KUSBVX-BS1N-W30](#) [KUSBX-AP-KIT-SCBLK](#) [KUSBX-AS2N-W](#) [KUSBX-SMT2AP1S-W30](#) [935](#) [957](#) [30-498-6](#) [SK-60A-2](#) [17-210051](#) [1734082-1](#) [30-1574](#) [30-470](#) [30-489](#) [30-541](#) [30-572-3](#) [A-USB A-2P-C](#) [MIKROE-1451](#) [USBFTV2PEM2G](#) [USBFTVC6ZN](#) [KUSBX-AS2N-W30](#) [KUSBX-SLAS1N-W](#) [KUSBX-SMT-AS1N-W30](#) [4689-1](#) [1-1734084-2](#) [E8110-001-01](#) [33UBARS1-04SW11](#) [33UBAR-04SW11](#) [USBF21ZNSCC](#) [USBBFTV6ZC](#) [10135326-001LF](#) [M9177/3-1](#) [USB-A-S-F-B-VT](#) [925](#) [4198](#) [690-024-633-031](#) [KUSBEX-BSFS1N-W](#) [USBFTVC6MRG](#) [UA-20BMFA-SL8001](#) [17-200011](#)