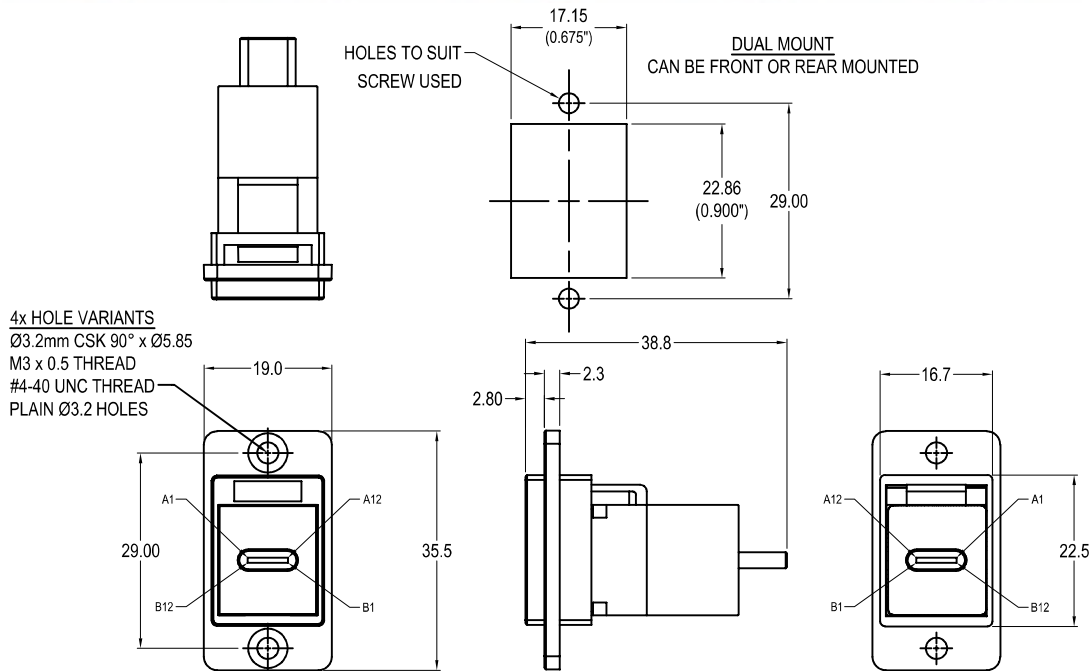


CLIFF

DUALSLIM USB-C Female-Male METAL FRAME FEEDTHROUGH CONNECTOR

Can be front or rear mounted in the panel



VARIANTS

Part No.

CP30711M	DUALSLIM USB-C F-M Nickel frame, CSK holes
CP30711MB	DUALSLIM USB-C F-M Black metal frame, CSK holes
CP30711M3	DUALSLIM USB-C F-M Nickel frame, M3 holes
CP30711MB3	DUALSLIM USB-C F-M Black metal frame, M3 holes
CP30711M440	DUALSLIM USB-C F-M Nickel frame, #4-40 holes
CP30711MB440	DUALSLIM USB-C F-M Black metal frame, #4-40 holes
CP30711MX1	DUALSLIM USB-C F-M Nickel frame, Ø3.2 PLAIN holes
CP30711MBX1	DUALSLIM USB-C F-M Black metal frame, Ø3.2 PLAIN holes

Feedthrough Features

- Fits standard rectangular cutout.
- Front or rear mounting through the panel.
- Various hole mounting options.
- No soldering or punch termination. Use standard cable for each connector style.
- Low rear profile.

General:

Please note: Functionality is affected by cable quality, length and cable wiring configuration.

Material:

1. Insert: ABS - UL94 HB
2. Frame: Diecast, Nickel or Black plated

USB-C Specification:

Maximum Rated Current - 3A
 Maximum Working Voltage - 30V
 Withstanding Voltage - 100V for 1 minute.
 Contact Resistance - 40 Milli-ohms Max.
 Insulation Resistance - 100 Mega-ohms Min.
 Insulator Flammability Rating - UL-94V0
 Insertion Life - 10,000 Cycles.

X-ON Electronics

Largest Supplier of Electrical and Electronic Components

Click to view similar products for [USB Connectors](#) category:

Click to view products by [Cliff](#) manufacturer:

Other Similar products are found below :

[65-647-8-BK-BU](#) [950](#) [952](#) [E8144-B01021-L](#) [A-USB A-LP-SMT-C](#) [A-USB B-TOP-C](#) [MUSBA511N5](#) [MUSBD11135](#) [217450-1](#) [KMBVX-TH-5S-B30](#) [896-30-004-00-000000](#) [KUSBVX-BS1N-W30](#) [KUSBX-AP-KIT-SCBLK](#) [KUSBX-AS2N-W](#) [KUSBX-SMT2AP1S-W30](#) [935](#) [957](#) [30-498-6](#) [SK-60A-2](#) [17-210051](#) [1734082-1](#) [30-1574](#) [30-470](#) [30-489](#) [30-541](#) [30-572-3](#) [A-USB A-2P-C](#) [MIKROE-1451](#) [USBFTV2PEM2G](#) [USBFTVC6ZN](#) [KUSBX-AS2N-W30](#) [KUSBX-SLAS1N-W](#) [KUSBX-SMT-AS1N-W30](#) [4689-1](#) [1-1734084-2](#) [E8110-001-01](#) [33UBARS1-04SW11](#) [33UBAR-04SW11](#) [USBF21ZNSCC](#) [USBBFTV6ZC](#) [10135326-001LF](#) [M9177/3-1](#) [USB-A-S-F-B-VT](#) [925](#) [4198](#) [690-024-633-031](#) [KUSBEX-BSFS1N-W](#) [USBFTVC6MRG](#) [UA-20BMFA-SL8001](#) [17-200011](#)