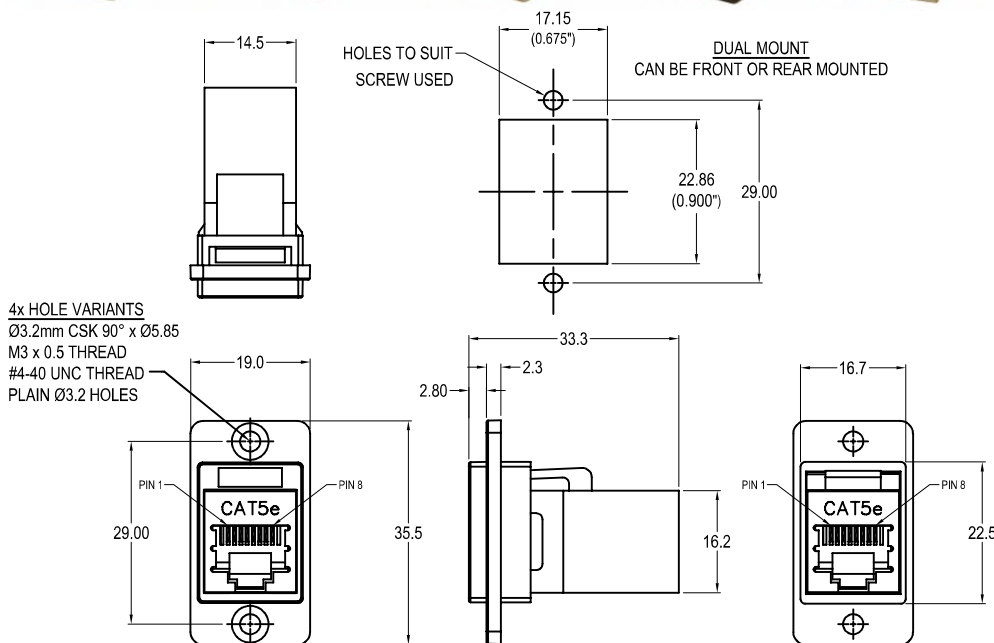


# CLIFF

## DUALSLIM CAT5e RJ45 SHIELDED METAL FRAME FEEDTHROUGH CONNECTOR

Can be front or rear mounted in the panel



4x HOLE VARIANTS  
 Ø3.2mm CSK 90° x Ø5.85  
 M3 x 0.5 THREAD  
 #4-40 UNC THREAD  
 PLAIN Ø3.2 HOLES

### VARIANTS

Part No.

- |                      |  |
|----------------------|--|
| <b>CP30720SM</b>     | DUALSLIM Cat5e RJ45 Shielded Nickel frame, CSK holes             |
| <b>CP30720SMB</b>    | DUALSLIM Cat5e RJ45 Shielded Black metal frame, CSK holes        |
| <b>CP30720SM3</b>    | DUALSLIM Cat5e RJ45 Shielded Nickel frame, M3 holes              |
| <b>CP30720SMB3</b>   | DUALSLIM Cat5e RJ45 Shielded Black metal frame, M3 holes         |
| <b>CP30720SM440</b>  | DUALSLIM Cat5e RJ45 Shielded Nickel frame, #4-40 holes           |
| <b>CP30720SMB440</b> | DUALSLIM Cat5e RJ45 Shielded Black metal frame, #4-40 holes      |
| <b>CP30720SMX1</b>   | DUALSLIM Cat5e RJ45 Shielded Nickel frame, Ø3.2 PLAIN holes      |
| <b>CP30720SMBX1</b>  | DUALSLIM Cat5e RJ45 Shielded Black metal frame, Ø3.2 PLAIN holes |

### Feedthrough Features

- Fits standard rectangular cutout.
- Front or rear mounting through the panel.
- Various hole mounting options.
- No soldering or punch termination. Use standard cable for each connector style.
- Low rear profile.

### General:

Please note: Functionality is affected by cable quality, length and cable wiring configuration.

### Material:

- 1.RJ45 In-Line Coupler:  
PC/ABS, UL 94V-0
- 2.RJ45 In-Line Coupler Contact:  
Phosphor Bronze, 3-50 micro inches gold plating over nickel plate.
- 3.PCB: FR4, UL 94V-0
- 4.Frame: Diecast, Nickel or Black plated

### Performance:

- 1.T568A & T568B wiring.
- 2.Meet ISO/IEC 11801 and EN50173
- 3.Meet ANSI/TIA/EIA 568B.2
- 4.Operating temperature: Min -10°C Max +70°C

## X-ON Electronics

Largest Supplier of Electrical and Electronic Components

*Click to view similar products for [Modular Connectors](#) / [Ethernet Connectors](#) category:*

*Click to view products by [Cliff](#) manufacturer:*

Other Similar products are found below :

[8949-H88/06BLKA/SN](#) [74441-0010/BKN](#) [MP1010RX-1000](#) [MP44RX-1000](#) [PHJ-4P4C-1-V-4](#) [PHP-6P6C-5](#) [GAX-3-66](#) [GAX-8-62](#) [GDCX-PA-66-50](#) [GDCX-PN-64](#) [GDCX-PN-66](#) [GDCX-PN-66-50](#) [GDLX-A-66](#) [GDLX-N-66](#) [GDLX-S-66](#) [GDLX-S-88K](#) [GDLX-SMT-S-88](#) [GDTX-S-88-50](#) [GDX-PA-1010](#) [GLX-A-44](#) [GLX-N-1010M-BLK](#) [GLX-S-88M-BLK](#) [GMX-N-1010](#) [GMX-S-1010](#) [GMX-S-66](#) [GMX-SMT4-N-88](#) [GPX-2-64](#) [GSGX-N-2-88](#) [GSGX-N-4-88](#) [GSX-NS2-88-3.05](#) [GSX-NS2-88-3.05-50](#) [GSX-NS-88-3.05-50](#) [PT-108A-8C-UL](#) [PT-J951-8C](#) [PTS-J531-8CS-50UL](#) [1-1775629-2](#) [A-2014-0-4](#) [GWLX-S-88-GR](#) [GWLX-S9-88-YG](#) [DC-1021-8-WH-6](#) [1300530003](#) [1324640-4](#) [RJ11FTVC2G](#) [RJ11FTVC2N](#) [RJFTVX2SA1G](#) [132764-001](#) [1413235](#) [MP88X-1000](#) [MPS88RX-5000](#) [E5288-S000K3-L](#)