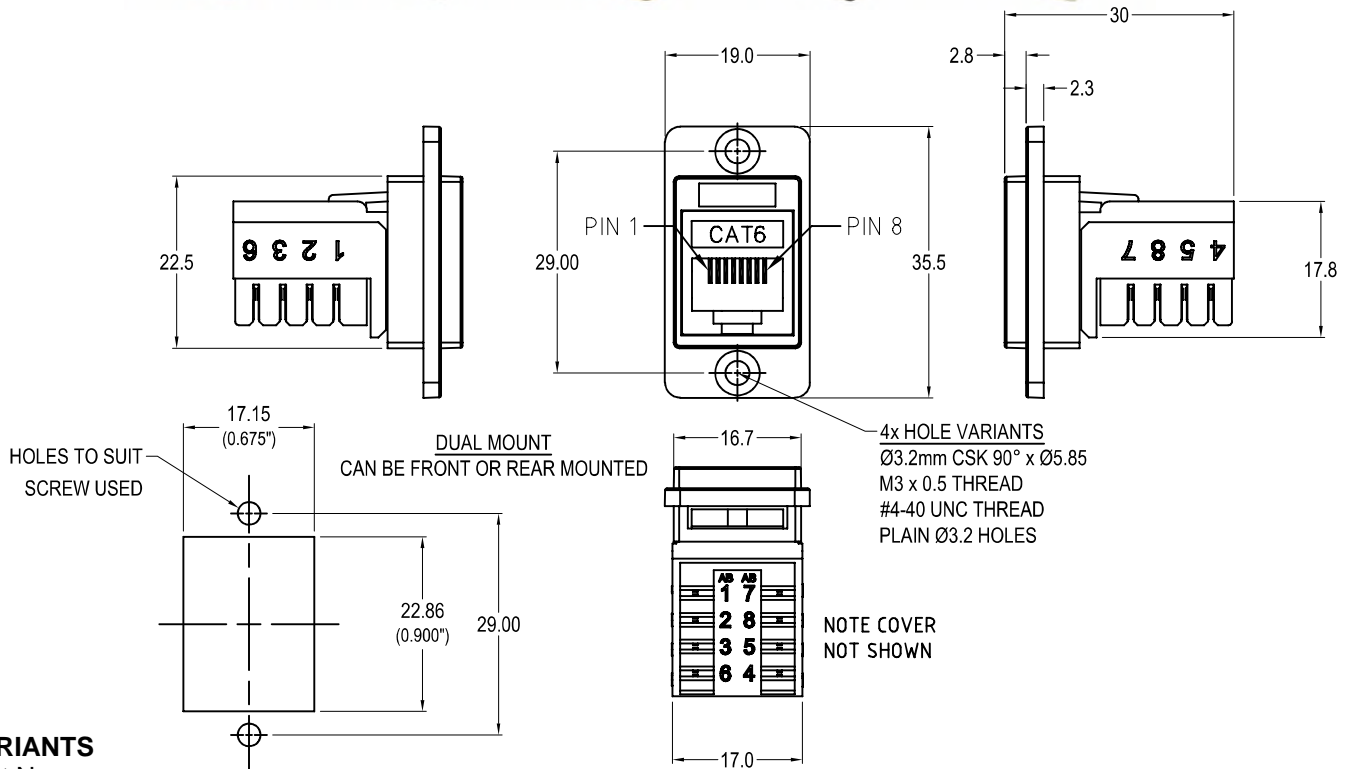


# CLIFF

## CAT6 IDC FEEDTHROUGH CONNECTOR



### VARIANTS

Part No.

<b>CP30727M</b>	DUALSLIM Cat6 IDC Nickel frame, CSK holes
<b>CP30727MB</b>	DUALSLIM Cat6 IDC Black metal frame, CSK holes
<b>CP30727M3</b>	DUALSLIM Cat6 IDC Nickel frame, M3 holes
<b>CP30727MB3</b>	DUALSLIM Cat6 IDC Black metal frame, M3 holes
<b>CP30727M440</b>	DUALSLIM Cat6 IDC Nickel frame, #4-40 holes
<b>CP30727MB440</b>	DUALSLIM Cat6 IDC Black metal frame, #4-40 holes
<b>CP30727MX1</b>	DUALSLIM Cat6 IDC Nickel frame, Ø3.2 PLAIN holes
<b>CP30727MBX1</b>	DUALSLIM Cat6 IDC Black metal frame, Ø3.2 PLAIN holes

### Feedthrough Features

- Fits standard rectangular cutout.
- Front or rear mounting through the panel.
- Various hole mounting options.
- Low rear profile.

### General:

Please note: Functionality is affected by cable quality, length and cable wiring configuration.

### Material:

1. RJ45 / IDC / Cover : PC
2. RJ45: Phosphor Bronze, gold plated
3. IDC: Phosphor Bronze, nickel plated
4. PCB: FR4
5. Frame: Diecast, Nickel or Black plated

### Performance:

1. T568A + T568B wiring.

## X-ON Electronics

Largest Supplier of Electrical and Electronic Components

*Click to view similar products for [Modular Connectors / Ethernet Connectors](#) category:*

*Click to view products by [Cliff](#) manufacturer:*

Other Similar products are found below :

[8949-H88/06BLKA/SN](#) [74441-0010/BKN](#) [PHP-6P6C-5](#) [GAX-3-66](#) [GDCX-PN-66](#) [GLX-A-44](#) [GLX-N-1010M-BLK](#) [GLX-S-88M-BLK](#)  
[GMX-SMT4-N-88](#) [GSGX-N-2-88](#) [GSGX-N-4-88](#) [GSX-NS2-88-3.05](#) [GSX-NS-88-3.68](#) [PT-108A-8C-UL](#) [PTS-J531-8CS-50UL](#) [A-2014-0-4](#)  
[GWLX-S9-88-YG](#) [DC-1021-8-WH-6](#) [1300530003](#) [1324640-4](#) [132764-001](#) [1413235](#) [MPS88RX-5000](#) [E5288-S000K3-L](#) [155302-001](#)  
[AX101050](#) [AX101063](#) [AX101065](#) [AX101072](#) [AX101307](#) [AX101315](#) [AX101318](#) [AX102271](#) [AX102277](#) [AX102651](#) [AX102660](#) [AX104024](#)  
[203475](#) [PC4D0018P](#) [KIT38082NI](#) [8949-B88/6](#) [2-6609208-5](#) [30-8956](#) [30-8964-100](#) [SM85](#) [SM99S01VBNN04G7](#) [17-103540](#) [1840855-7](#)  
[191587](#) [PDI-68-RV](#)