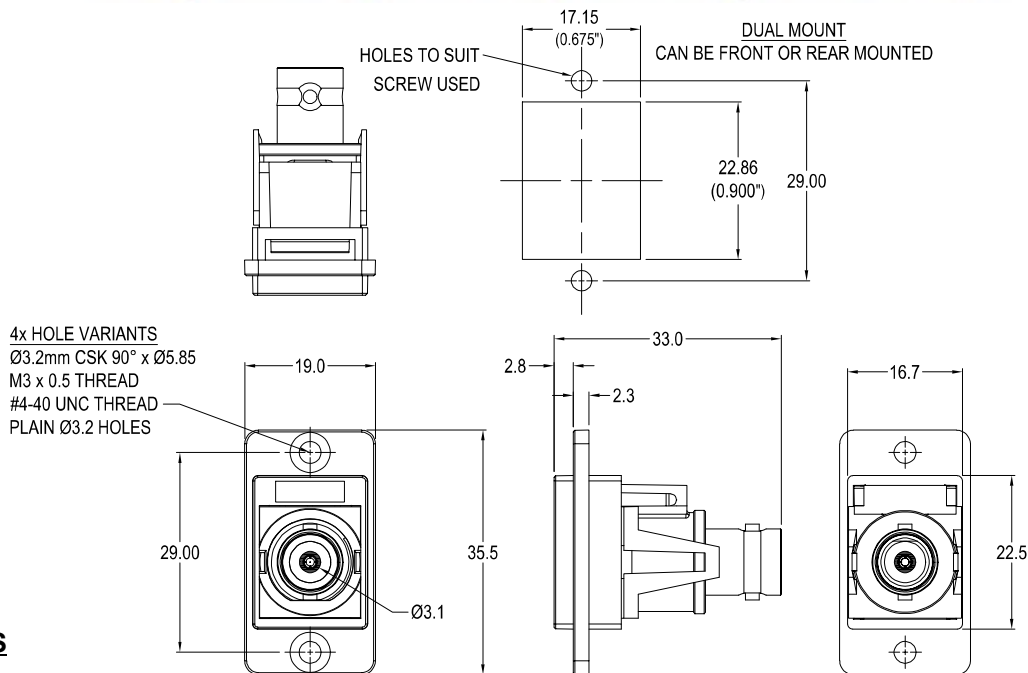


# CLIFF

## DUALSLIM BNC 75 Ohm METAL FRAME FEEDTHROUGH CONNECTOR

Can be front or rear mounted in the panel



### VARIANTS

Part No.

**CP30738M**

DUALSLIM BNC 75Ω Nickel frame, CSK holes

**CP30738MB**

DUALSLIM BNC 75Ω Black metal frame, CSK holes

**CP30738M3**

DUALSLIM BNC 75Ω Nickel frame, M3 holes

**CP30738MB3**

DUALSLIM BNC 75Ω Black metal frame, M3 holes

**CP30738M440**

DUALSLIM BNC 75Ω Nickel frame, #4-40 holes

**CP30738MB440**

DUALSLIM BNC 75Ω Black metal frame, #4-40 holes

**CP30738MX1**

DUALSLIM BNC 75Ω Nickel frame, Ø3.2 PLAIN holes

**CP30738MBX1**

DUALSLIM BNC 75Ω Black metal frame, Ø3.2 PLAIN holes

### Feedthrough Features

- Fits standard rectangular cutout.
- Front or rear mounting through the panel.
- Various hole mounting options.
- No soldering or punch termination. Use standard cable for each connector style.
- Low rear profile.

### Material:

1. SLIM Frame: Diecast, Nickel or black plated
2. BNC Frame: ABS UL94 V2
3. BNC Body: Brass - Nickel Plated
4. BNC Centre: Brass - Copper Plated
5. BNC Insulator: PP UL94 V2

### General:

Please note: Functionality is affected by cable quality, length and cable wiring configuration.

For further information, contact [sales@cliffuk.co.uk](mailto:sales@cliffuk.co.uk)

© CLIFF 01/2022 ISS.1

**Cliff Electronic Components Limited,**  
76 Holmethorpe Avenue, Holmethorpe Ind. Estate,  
Redhill, Surrey RH1 2PF U.K.  
Tel: +44 (0)1737 771375 Fax: +44 (0)1737 766012



[www.cliffuk.co.uk](http://www.cliffuk.co.uk)

## X-ON Electronics

Largest Supplier of Electrical and Electronic Components

*Click to view similar products for [RF Connectors / Coaxial Connectors](#) category:*

*Click to view products by [Cliff](#) manufacturer:*

Other Similar products are found below :

[8915-1511-000](#) [89674-0827](#) [6001-7071-019](#) [6002-7051-003](#) [6059674-1](#) [619550-1](#) [630059-000](#) [M39030/3-01N](#) [6769](#) [CX050L2AQ](#) [7002-1541-010](#) [7002-1542-011](#) [7002-1572-002](#) [7003-1542-011](#) [7004-1512-000](#) [7009-1511-004](#) [7010-1511-000](#) [7029-1511-060](#) [7101-1541-010](#) [7101-1571-002](#) [7105-1521-002](#) [7145-1521-002](#) [7203-1571-003](#) [7209-1511-011](#) [7210-1511-015](#) [7210-1511-019](#) [7242-1511-000](#) [73137-5015](#) [73216-2241](#) [73404-2300](#) [7405-1521-005](#) [7405-1521-802](#) [8527](#) [8547](#) [FS11V](#) [877931](#) [9074-9513-000](#) [910A205F](#) [PL11SC-026](#) [PL40-5](#) [PL74C-221](#) [PL75MC-217](#) [PL803-7](#) [980-8666-005](#) [1200690078](#) [1-201144-1](#) [R107003010W](#) [R110A172100](#) [R112186000](#) [R113053000W](#)