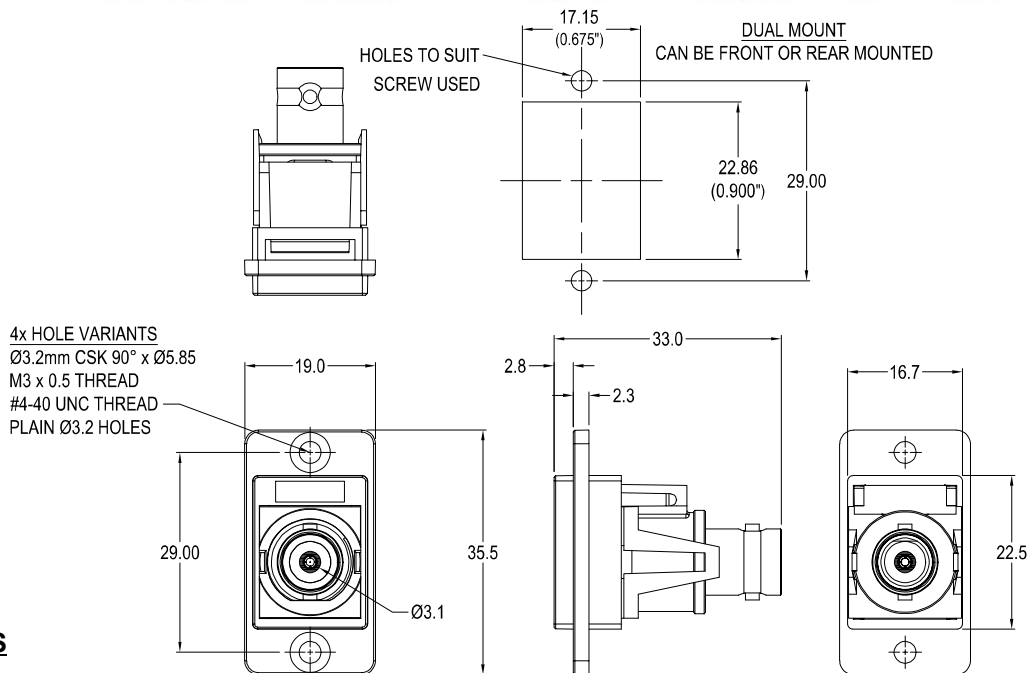


CLIFF

DUALSLIM BNC 75 Ohm METAL FRAME FEEDTHROUGH CONNECTOR

Can be front or rear mounted in the panel



VARIANTS

Part No.

CP30738M	DUALSLIM BNC 75Ω Nickel frame, CSK holes
CP30738MB	DUALSLIM BNC 75Ω Black metal frame, CSK holes
CP30738M3	DUALSLIM BNC 75Ω Nickel frame, M3 holes
CP30738MB3	DUALSLIM BNC 75Ω Black metal frame, M3 holes
CP30738M440	DUALSLIM BNC 75Ω Nickel frame, #4-40 holes
CP30738MB440	DUALSLIM BNC 75Ω Black metal frame, #4-40 holes
CP30738MX1	DUALSLIM BNC 75Ω Nickel frame, Ø3.2 PLAIN holes
CP30738MBX1	DUALSLIM BNC 75Ω Black metal frame, Ø3.2 PLAIN holes

Feedthrough Features

- Fits standard rectangular cutout.
- Front or rear mounting through the panel.
- Various hole mounting options.
- No soldering or punch termination. Use standard cable for each connector style.
- Low rear profile.

Material:

1. SLIM Frame: Diecast, Nickel or black plated
2. BNC Frame: ABS UL94 V2
3. BNC Body: Brass - Nickel Plated
4. BNC Centre: Brass - Copper Plated
5. BNC Insulator: PP UL94 V2

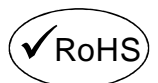
General:

Please note: Functionality is affected by cable quality, length and cable wiring configuration.

For further information, contact sales@cliffuk.co.uk

© CLIFF 01/2022 ISS.1

Cliff Electronic Components Limited,
76 Holmethorpe Avenue, Holmethorpe Ind. Estate,
Redhill, Surrey RH1 2PF U.K.
Tel: +44 (0)1737 771375 Fax: +44 (0)1737 766012



www.cliffuk.co.uk

X-ON Electronics

Largest Supplier of Electrical and Electronic Components

Click to view similar products for [RF Connectors](#) / [Coaxial Connectors](#) category:

Click to view products by [Cliff](#) manufacturer:

Other Similar products are found below :

[8915-1511-000](#) [89674-0827](#) [6001-7071-019](#) [6002-7051-003](#) [6059674-1](#) [619550-1](#) [630059-000](#) [M39030/3-01N](#) [6769](#) [CX050L2AQ](#) [7002-1541-010](#) [7002-1542-011](#) [7002-1572-002](#) [7003-1542-011](#) [7004-1512-000](#) [7009-1511-004](#) [7010-1511-000](#) [7029-1511-060](#) [7101-1541-010](#) [7101-1571-002](#) [7105-1521-002](#) [7145-1521-002](#) [7203-1571-003](#) [7209-1511-011](#) [7210-1511-015](#) [7210-1511-019](#) [7242-1511-000](#) [73137-5015](#) [73216-2241](#) [73404-2300](#) [7405-1521-005](#) [7405-1521-802](#) [8527](#) [8547](#) [FS11V](#) [877931](#) [9074-9513-000](#) [910A205F](#) [PL11SC-026](#) [PL40-5](#) [PL74C-221](#) [PL75MC-217](#) [PL803-7](#) [980-8666-005](#) [1200690078](#) [1-201144-1](#) [R107003010W](#) [R110A172100](#) [R112186000](#) [R113053000W](#)