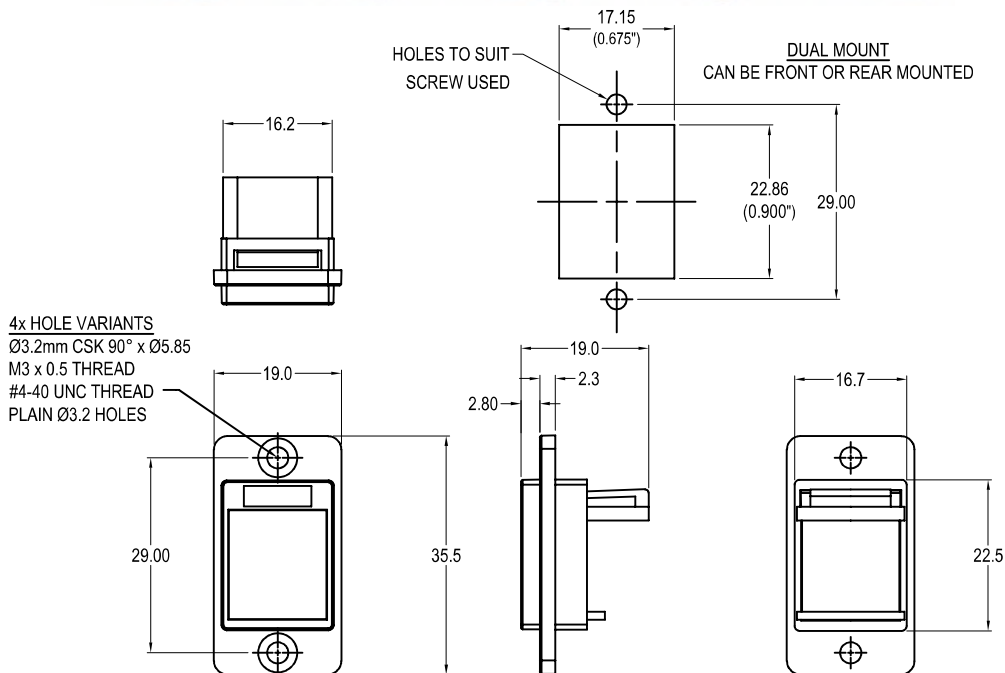


# CLIFF

## DUALSLIM BLANK METAL FRAME FEEDTHROUGH CONNECTOR

Can be front or rear mounted in the panel



### VARIANTS

Part No.

<b>CP30741M</b>	DUALSLIM Blanking Plate Nickel frame, CSK holes
<b>CP30741MB</b>	DUALSLIM Blanking Plate Black metal frame, CSK holes
<b>CP30741M3</b>	DUALSLIM Blanking Plate Nickel frame, M3 holes
<b>CP30741MB3</b>	DUALSLIM Blanking Plate Black metal frame, M3 holes
<b>CP30741M440</b>	DUALSLIM Blanking Plate Nickel frame, #4-40 holes
<b>CP30741MB440</b>	DUALSLIM Blanking Plate Black metal frame, #4-40 holes
<b>CP30741MX1</b>	DUALSLIM Blanking Plate Nickel frame, Ø3.2 PLAIN holes
<b>CP30741MBX1</b>	DUALSLIM Blanking Plate Black metal frame, Ø3.2 PLAIN holes

### Feedthrough Features

- Fits standard rectangular cutout.
- Various hole mounting options.
- No soldering or punch termination. Use standard cable for each connector style.
- Low rear profile.

### Material:

1. Insert: ABS
2. Frame: Diecast, Nickel or Black plated

### General:

Please note: Functionality is affected by cable quality, length and cable wiring configuration.

For further information, contact [sales@cliffuk.co.uk](mailto:sales@cliffuk.co.uk)

© CLIFF 02/2021 ISS.1

**Cliff Electronic Components Limited,**  
76 Holmethorpe Avenue, Holmethorpe Ind. Estate,  
Redhill, Surrey RH1 2PF U.K.  
Tel: +44 (0)1737 771375 Fax: +44 (0)1737 766012



[www.cliffuk.co.uk](http://www.cliffuk.co.uk)

## X-ON Electronics

Largest Supplier of Electrical and Electronic Components

*Click to view similar products for [Modular Connectors](#) / [Ethernet Connectors](#) category:*

*Click to view products by [Cliff](#) manufacturer:*

Other Similar products are found below :

[8949-H88/06BLKA/SN](#) [74441-0010/BKN](#) [MP1010RX-1000](#) [MP44RX-1000](#) [PHJ-4P4C-1-V-4](#) [PHP-6P6C-5](#) [GAX-3-66](#) [GAX-8-62](#) [GDCX-PA-66-50](#) [GDCX-PN-64](#) [GDCX-PN-66](#) [GDCX-PN-66-50](#) [GDLX-A-66](#) [GDLX-N-66](#) [GDLX-S-66](#) [GDLX-S-88K](#) [GDLX-SMT-S-88](#) [GDTX-S-88-50](#) [GDX-PA-1010](#) [GLX-A-44](#) [GLX-N-1010M-BLK](#) [GLX-S-88M-BLK](#) [GMX-N-1010](#) [GMX-S-1010](#) [GMX-S-66](#) [GMX-SMT4-N-88](#) [GPX-2-64](#) [GSGX-N-2-88](#) [GSGX-N-4-88](#) [GSX-NS2-88-3.05](#) [GSX-NS2-88-3.05-50](#) [GSX-NS-88-3.05-50](#) [PT-108A-8C-UL](#) [PT-J951-8C](#) [PTS-J531-8CS-50UL](#) [1-1775629-2](#) [A-2014-0-4](#) [GWLX-S-88-GR](#) [GWLX-S9-88-YG](#) [DC-1021-8-WH-6](#) [1300530003](#) [1324640-4](#) [RJ11FTVC2G](#) [RJ11FTVC2N](#) [RJFTVX2SA1G](#) [132764-001](#) [1413235](#) [MP88X-1000](#) [MPS88RX-5000](#) [E5288-S000K3-L](#)