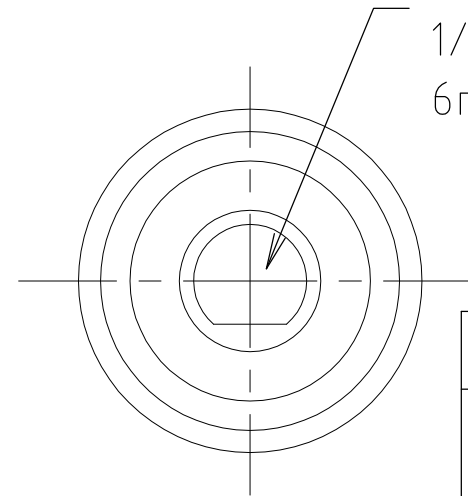
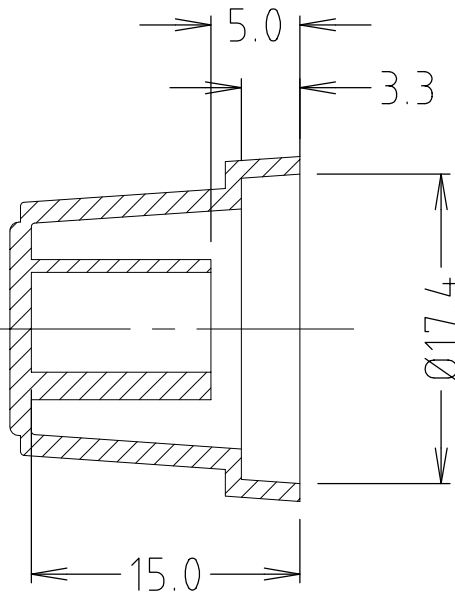
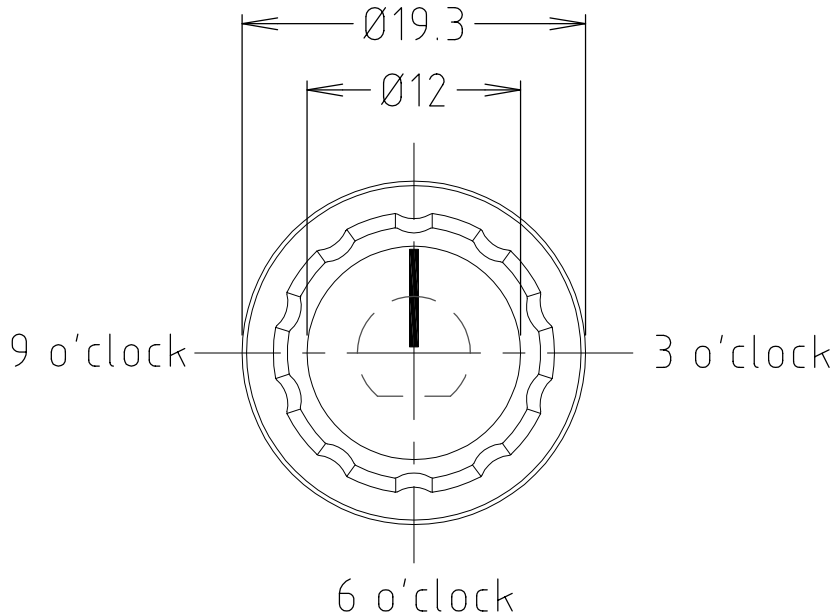


VARIANTS	
PART No.	DESCRIPTION
CP3450	C18 BLACK / BLACK CAP 1/4" D ML
CP34501	C18 BLACK / BLACK CAP 1/4" D NO ML
CP34502	C18 BLACK / BLACK CAP 1/4" D ML @ 9 o'clock
CP34505	C18 BLACK / BLACK CAP 6mm D ML
CP3480	C18 BLACK / BLACK CAP 6mm SPLINE ML

ISS.	AMEND	DATE
1	1st DRAWN	22/07/98
2	CP34502 ADDED	27/09/07
3	CP34501 ADD+UPDATED	25/02/15

NOTES:

- 1) STANDARD MARKER LINE (ML) POSITION IS 12 o'clock
- 2) ALTERNATIVE POSITIONS AVAILABLE 3, 6, 9 o'clock.
- 3) WHITE MARKER LINE STANDARD, OTHERS COLOURS AVAILABLE ON REQUEST.



SHAFTS  
 6mm D  
 1/4" D  
 6mm SPLINE

**RoHS**  
**COMPLIANT**

**TOLERANCE**  
 NO DEC. PLACE ± 0.50  
 1 DEC. PLACE ± 0.20  
 2 DEC. PLACE ± 0.10  
 HOLE Ø ± 0.10  
 ANGLES ± 1/2°  
 UNLESS OTHERWISE STATED

DO NOT SCALE

**Cliff Electronic Components Ltd.**

76 Holmethorpe Avenue, Holmethorpe Industrial Estate,  
 Redhill, Surrey, RH1 2PF, England, UK  
 Tel: 01737-771375 Fax: 01737-766012 Website: www.cliffuk.co.uk

DIMENSIONS IN MILLIMETERS UNLESS OTHERWISE STATED. WORK TO DIMENSIONS. REMOVE ALL BURRS. IF IN DOUBT ASK.

3rd ANGLE PROJECTION:

MATERIAL: NYLON 6

FINISH: AS MOULDED

DRAWN: C.A.M.J

APPROVED: R.W.T.

TITLE: KNOB C18 & VARIANTS

DRWG. No. **CP3450**

FORM: A4DRWGH

## X-ON Electronics

Largest Supplier of Electrical and Electronic Components

*Click to view similar products for [Knobs & Dials](#) category:*

*Click to view products by [Cliff](#) manufacturer:*

Other Similar products are found below :

[790-1202](#) [790-2226](#) [8529](#) [8547](#) [85-559](#) [8573](#) [11K5015-EMNB](#) [11K5015-EMNG](#) [1770](#) [P400S-08-D6-N](#) [KNP700A1/4](#) [3045B](#) [AL811BA18](#)  
[AR22PY-122B](#) [PKJ50B18](#) [277A](#) [348003](#) [42000B38](#) [5006](#) [56008-001](#) [411](#) [420037B14](#) [WA-102B](#) [WA-103](#) [WA-109B](#) [WA-1550](#) [WA-](#)  
[1600-P](#) [WA-2300](#) [WA-4100](#) [WA-4108-P](#) [52-928.20](#) [52-928.9](#) [8517](#) [8529](#) [8545](#) [8572](#) [WA-4104](#) [WA-4103](#) [WA-1202](#) [WA-104B](#) [WA-103B](#)  
[WA-102](#) [6126](#) [MS91528-0N1B](#) [7-1437622-0](#) [790-1208](#) [790-1370-MS](#) [8-1437622-6](#) [P209061-001](#) [P675S-06-D6-W](#)