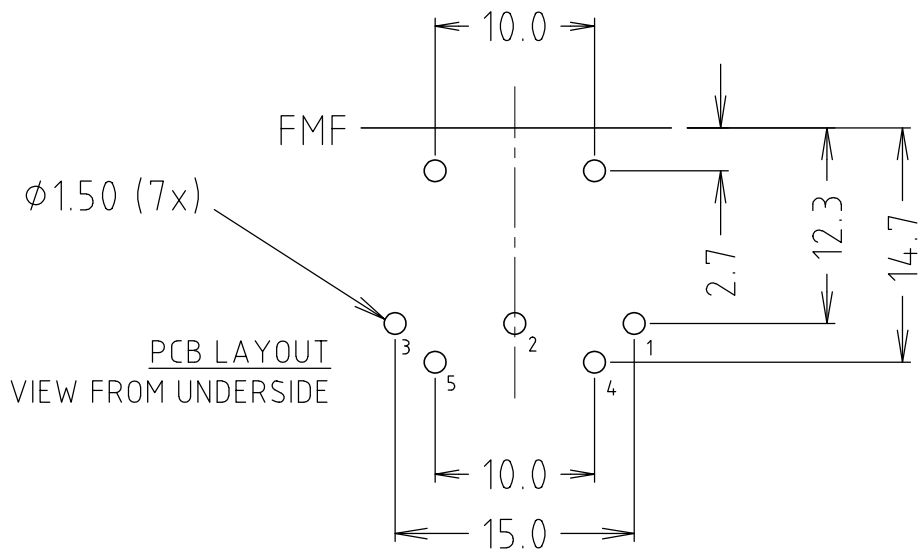
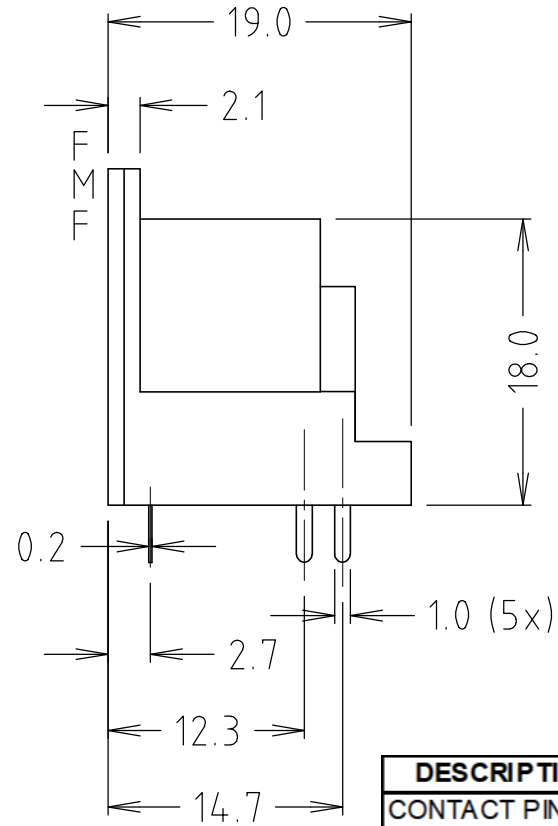
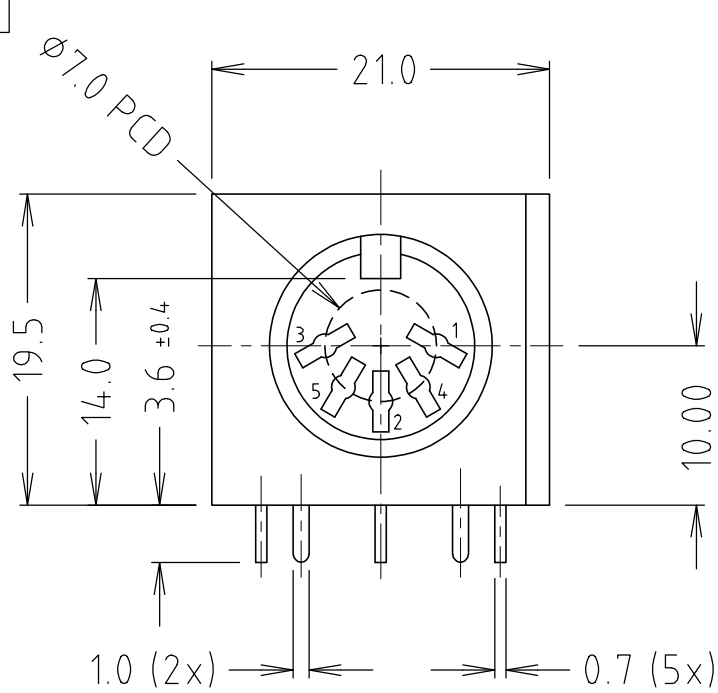


ISS.	AMEND	DATE
1	ISSUED	18/06/09
2	MATERIAL TABLE ADD	20/07/12
3	UPDATE NEW TOOLING	16/04/20



DESCRIPTION	MATERIAL	FINISH	QTY
CONTACT PIN	BRASS	SILVER PLATE	5
EARTH TERMINAL	PHOSPHOR BRONZE	SILVER PLATE	1
REAR COVER	PBT 4815 (UL94 V-0)	BLACK	1
HOUSING	PBT 4815 (UL94 V-0)	BLACK	1

SPECIFICATION

- CURRENT RATING: 100V AC 1A max  
12V DC 2A max
- CONTACT RESISTANCE (INITIAL): 30mΩ max @AC100mA(max) 1KHz
- INSULATION RESISTANCE (INITIAL): 50MΩ (MIN) @250V DC
- WITHSTAND VOLTAGE: 250V AC 60Hz FOR 1 MINUTE
- INSERTION FORCE (INITIAL): 4.5Kg max
- WITHDRAWAL FORCE: 0.5-3.0Kg
- LIFE TEST: 1000 CYCLES MIN. AFTER TESTING CONTACT RESISTANCE SHALL NOT EXCEED 100mΩ
- OPERATING TEMPERATURE -40°C TO +85°C

**RoHS**  
COMPLIANT

**TOLERANCE**  
NO DEC. PLACE ±  
1 DEC. PLACE ±  
2 DEC. PLACE ±  
HOLE Ø ±  
ANGLES ±  
UNLESS OTHERWISE STATED

DO NOT SCALE

**Cliff Electronic Components Ltd.**

76 Holmethorpe Avenue, Holmethorpe Industrial Estate,  
Redhill, Surrey, RH1 2PF, England, UK  
Tel: 01737-771375 Fax: 01737-766012 Website: www.cliffuk.co.uk

THE CONTENTS OF THIS DOCUMENT MUST NOT BE COPIED OR DISCLOSED TO A 3rd PARTY WITHOUT WRITTEN PERMISSION OF CLIFF UK. © 2009

DIMENSIONS IN MILLIMETERS UNLESS OTHERWISE STATED. WORK TO DIMENSIONS. REMOVE ALL BURRS. IF IN DOUBT ASK.

3rd ANGLE PROJECTION:

MATERIAL: SEE TABLE

FINISH: SEE TABLE

DRAWN: C.A.M.J.

APPROVED: R.W.T.

TITLE: 5 PIN DIN SOCKET 180°

DRWG. No. **FC680805**

FORM: A4DRWGH

## X-ON Electronics

Largest Supplier of Electrical and Electronic Components

*Click to view similar products for [DIN Connectors](#) category:*

*Click to view products by [Cliff](#) manufacturer:*

Other Similar products are found below :

[60KD4M](#) [12DL6MX](#) [12JL6M](#) [164-183](#) [17DN100-EX](#) [17DN101-EX](#) [SMD7FRA011](#) [16PJ224-E](#) [171-0278](#) [17PP048-EX](#) [M55116/1-2](#)  
[KQLAX-8P](#) [M55116/10-0](#) [SMD5FRA021](#) [15AN84X](#) [13AL6FX](#) [61GA5F](#) [152-002-2-4](#) [0134 05](#) [MDC-004](#) [MDC-104](#) [MDC-204](#) [MDC-208](#)  
[12BPKG](#) [DC-001](#) [DC-007](#) [591-0400](#) [591-0500](#) [DS1093-01-BN40](#) [593-0700](#) [MJ-372-4](#) [MJ-372-6](#) [MJ-372-8](#) [57PC5M](#) [592-0301](#) [592-0511](#)  
[164-377](#) [610-0520](#) [0105 05](#) [0105 08](#) [0107 08-1](#) [690-0300](#) [0132 05](#) [930009200 MAB 4](#) [930071200 MAB 5 S](#) [930303517 MAB 3100 S](#)  
[GRAU](#) [930345200 MAB 8 S](#) [930356517 MAS 70 S GRAU](#) [930952517 MAB 5100](#) [930954517 MAB 6100 GRAU](#)