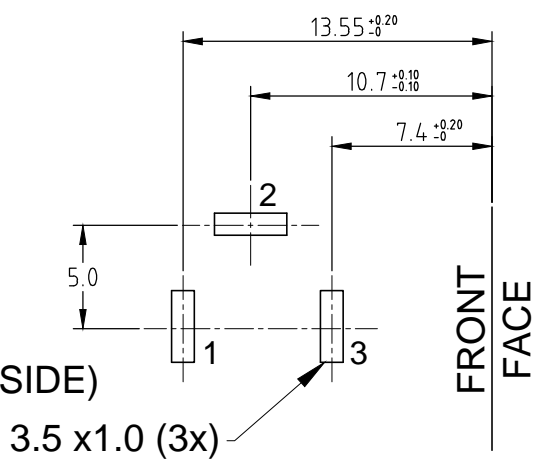


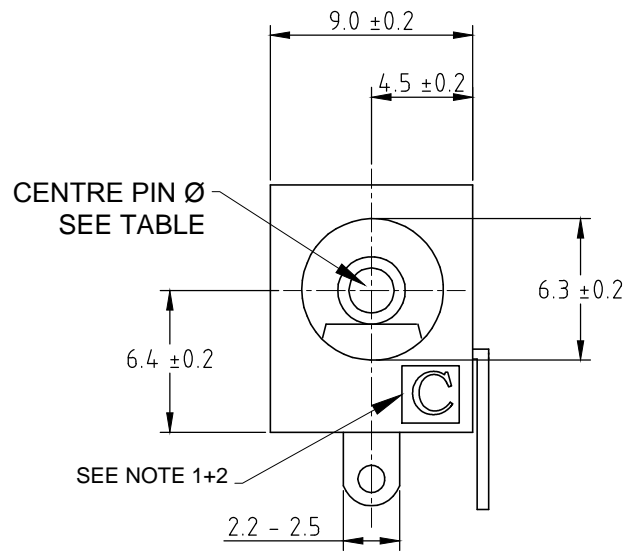
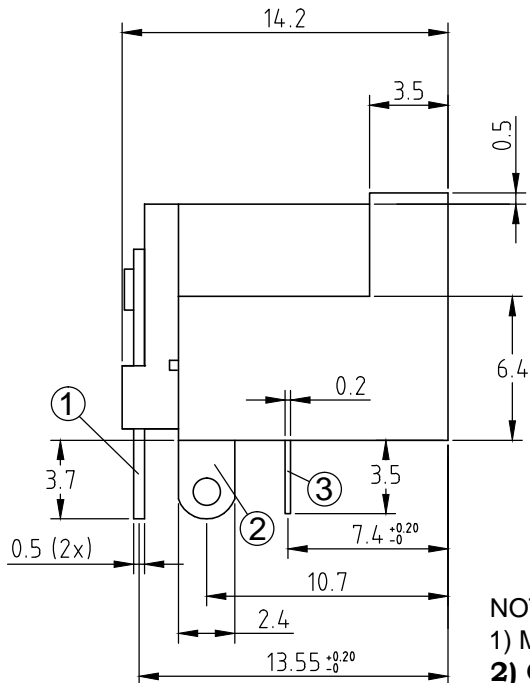
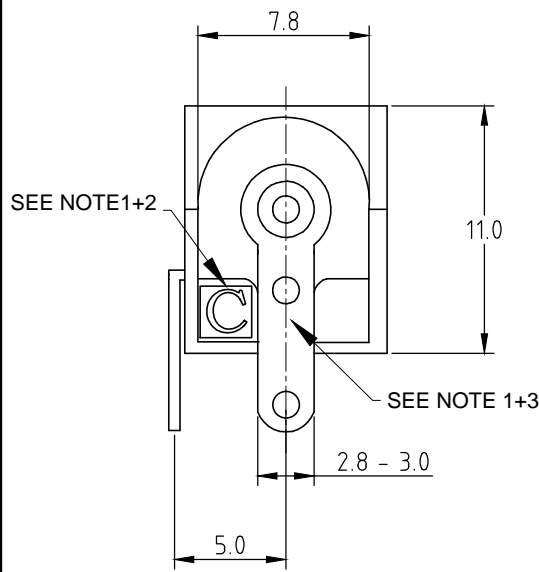
PART NO.	FC68148	FC68149
MODEL NO.	DC-10A	DC-10B
CENTRE PIN Ø	Ø2.1	Ø2.5
SCHEMATIC		

ISS.	AMEND	DATE
1	REDRAWN	29/05/90
2	ERROR CORRECTED	01/11/90
3	MATERIAL PBT	14/02/91
4	P/Nos ADDED	17/02/94
5	RoHS+PC LAYOUT	24/07/09
6	PIN NUMBERS ADDED	20/08/12
7	MULTIPLE TOOL INFO	21/02/13
8	PIN OUT TOL ADD	04/03/13
9	Ø2.10 WAS Ø2.00	31/10/14

PC LAYOUT  
(COMPONENT / TOP SIDE)



RATED 12V DC - 5A (60VA)



- NOTES
- 1) MULTIPLE TOOLS ARE USED FOR THIS PART.
  - 2) **CLIFF** LOGO CAN BE ON FRONT OR REAR AS SHOWN.
  - 3) REAR CONTACT APPEARANCE MAY CHANGE.
  - 4) PIN LAYOUT APPLIES TO ALL PRODUCTS. SEE IMAGES FOR VARIATIONS.

<b>RoHS</b> COMPLIANT
TOLERANCE
NO DEC. PLACE ± 0.20
1 DEC. PLACE ± 0.15
2 DEC. PLACE ± 0.10
HOLE Ø ± 0.10
ANGLES ± 1/2°
UNLESS OTHERWISE STATED
DO NOT SCALE

**Cliff Electronic Components Ltd.**  
76 Holmethorpe Avenue, Holmethorpe Industrial Estate,  
Redhill, Surrey, RH1 2PF, England, UK  
Tel: 01737-771375 Fax: 01737-766012 Website: www.cliffuk.co.uk

DIMENSIONS IN MILLIMETERS UNLESS OTHERWISE STATED. WORK TO DIMENSIONS. REMOVE ALL BURRS. IF IN DOUBT ASK.

3rd ANGLE PROJECTION:

MATERIAL: 20% GF PBT / BRASS
FINISH: AS MOULDED / Ni / Ag PLATED
DRAWN: C.A.M.J.

TITLE: DC POWER SOCKET DC10
DRWG. No. <b>FC68148</b>
APPROVED: R.W.T.
FORM: A4DRWGH

THE CONTENTS OF THIS DOCUMENT MUST NOT BE COPIED OR DISCLOSED TO A 3rd PARTY WITHOUT WRITTEN PERMISSION OF CLIFF UK. © 1990

## **X-ON Electronics**

Largest Supplier of Electrical and Electronic Components

*Click to view similar products for [cliff](#) manufacturer:*

Other Similar products are found below :

[CL-SFE/1 FILTERS](#) [CIH206011](#) [FM686813](#) [CP30152](#) [CP30211](#) [CP303011X](#) [CP30173](#) [CP30176](#) [CP30178](#) [CP30179](#) [CP30180](#) [CP30500C](#)  
[CP30202M3](#) [FCR1295](#) [FCR2065](#) [CL19192RB](#) [FCR7360B](#) [FM686816](#) [CIH29950](#) [CP30225SM](#) [CL681561](#) [CP30170](#) [CP30174](#) [CIH684216](#)  
[FW6190](#) [CP30182](#) [CP30184](#) [CP30202M](#) [CIH3021](#) [CP30208NMB](#) [CP30230X](#) [FM686806](#) [CL1396](#) [CL1110](#) [CP30181](#) [CP30183](#)  
[CP30202M3B](#) [CIH3007](#) [CL2075S](#) [BS300LLL](#) [FCR79910RB](#) [CP30172](#) [CIH30240B](#) [CL2076S](#) [CL2160B](#) [TP/6 CS](#) [DC8](#) [CP30110](#)  
[CP303090X](#) [FC6120](#) [FC6105](#)