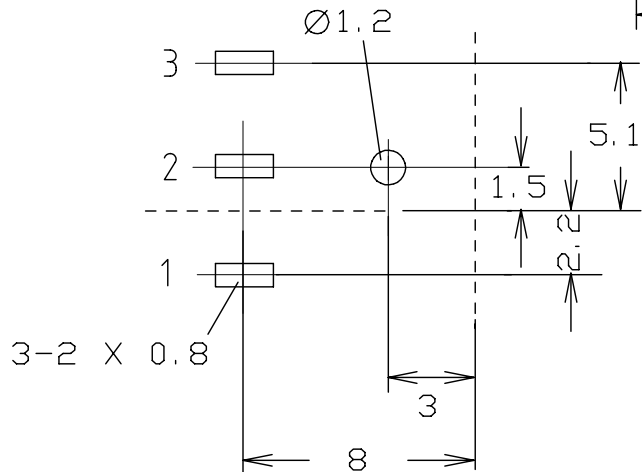
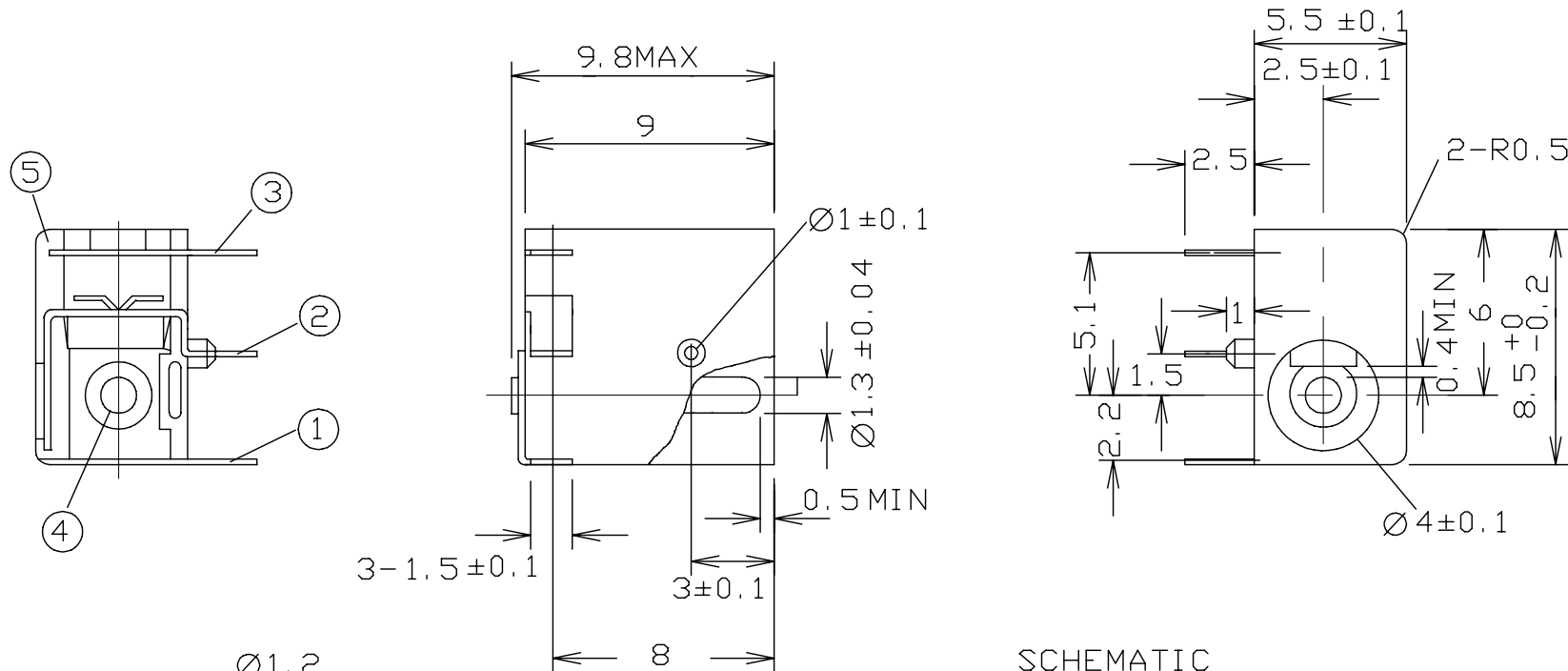
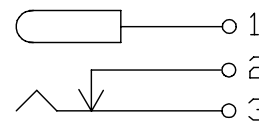


ISS.	AMEND	DATE
1	REDRAWN	11/07/90
2	PIN Ø IN TITLE	27/04/98
3	RoHS ADDED	26/05/09



TRACK SIDE

SCHEMATIC



ITEM	DESCRIPTION	QTY	MATERIAL	FINISH
1	PIN TERMINAL	1	SPRING BRASS 0.3 THK	SILVER PLATED
2	BREAK TERMINAL	1	SPRING BRASS 0.3 THK	SILVER PLATED
3	SLEEVE TERMINAL	1	Y-CUT 0.25 THK	SILVER PLATED
4	PIN	1	SPRING BRASS	NICKEL PLATED
5	HOUSING	1	P.B.T.	AS MOULDED

**RoHS**  
COMPLIANT

**Tolerance**  
 NO DEC. PLACE ±  
 1 DEC. PLACE ± 0.20  
 2 DEC. PLACE ±  
 DIA. HOLES ±  
 ANGLES ± 1/2°  
 UNLESS  
 OTHERWISE STATED

WHERE USED F.R.

SCALE N.T.S.

DIMENSIONS IN MILLIMETERS UNLESS OTHERWISE STATED. WORK TO DIMENSIONS. DO NOT SCALE DRAWING. 3rd ANGLE PROJECTION. REMOVE BURRS. IF IN DOUBT ASK.

Cliff Electronic Components Limited  
 76 Holmethorpe Ave., Holmethorpe Ind. Estate,  
 Redhill, Surrey, RH1 2PF, England.  
 Tel: 01737-771375 Fax: 01737-766012

MATERIAL SEE TABLE

FINISH SEE TABLE

DRAWN C.A.M.J.

APPD. RWT

TITLE DC POWER SOCKET DC8 (1.3mm PIN)

DRWG. No. **FC 68145**

FORM:A4DRWGH

## X-ON Electronics

Largest Supplier of Electrical and Electronic Components

*Click to view similar products for [cliff](#) manufacturer:*

Other Similar products are found below :

[SRP1 BLACK](#) [CL1423](#) [CL1432](#) [CL159825BA](#) [CL19192RB](#) [CL2160B TP/6 CS](#) [CL-SFE/1 FILTERS](#) [HFRP-01](#) [S2/BBB \(CL1220A\)](#)  
[CIH206011](#) [CL14218](#) [CP30117](#) [CP30214M](#) [FM686813](#) [CL11061 S1V/SBB](#) [CL11607](#) [CL12345](#) [CL1308G](#) [CL13106G](#) [CP22R](#) [CP30152](#)  
[CP30211](#) [CP303011X](#) [CL1406](#) [CL15501A](#) [CL1572](#) [CL681561](#) [CP30173](#) [CP30176](#) [CP30178](#) [CP30179](#) [CP30180](#) [CP30500C](#) [CP30175](#)  
[CP30300MB3](#) [CP30182](#) [CP30183](#) [CP30184](#) [CP30202M3](#) [FCR1295](#) [FCR2065](#) [FCR7360B](#) [FM686816](#) [CIH29950](#) [CP30225SM](#) [CP30170](#)  
[CP30174](#) [CIH684216](#) [FW6190](#) [CP30202M](#)