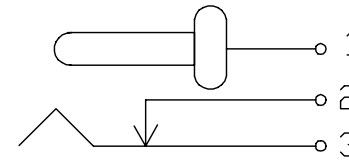
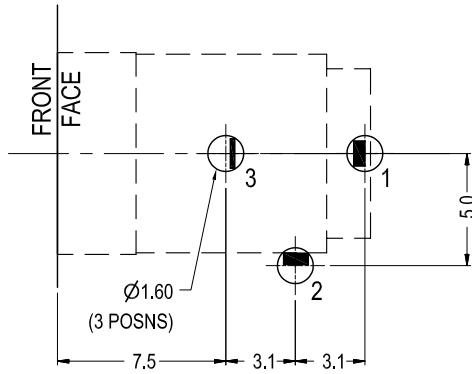
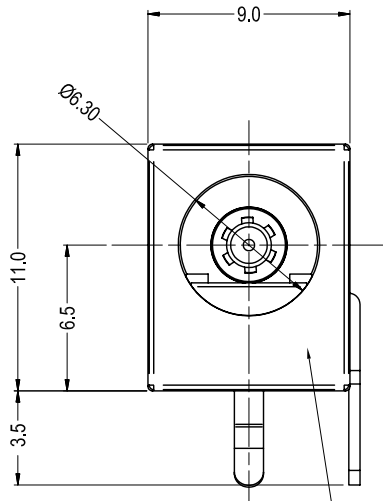


PC LAYOUT
(COMPONENT SIDE
-SOCKET OMITTED
FOR CLARITY)

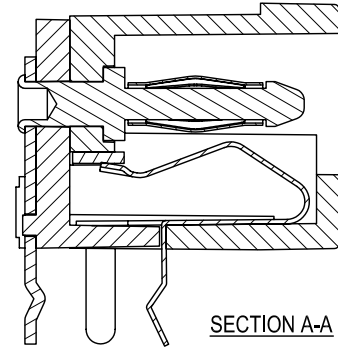
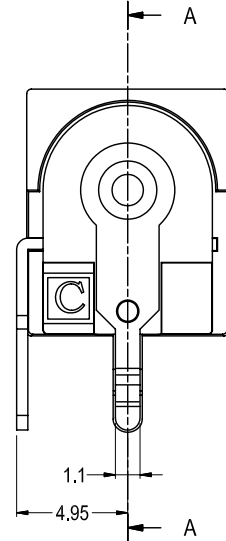
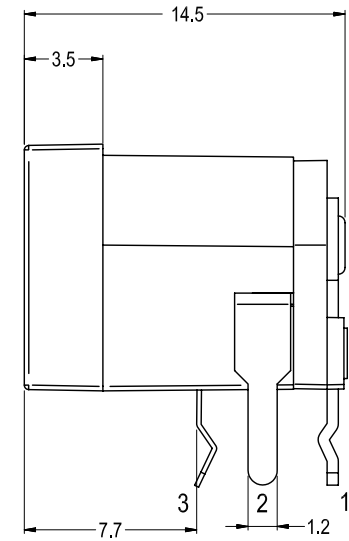


SCHEMATIC

ISS.	AMEND	DATE
1	ISSUED	28/07/2011
2	NOTE 3 ADDED	06/10/2011
3	LAYOUT O/LINE ADDED	14/03/2012



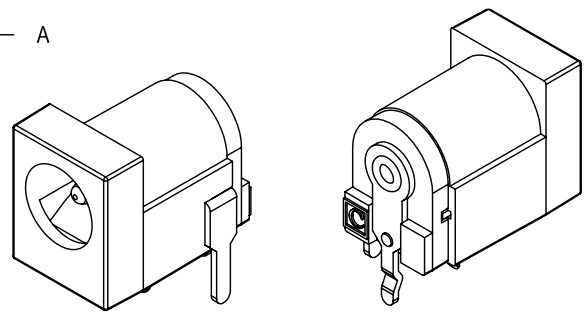
ALTERNATIVE
LOGO POSITION



SECTION A-A

NOTES:-

- SUITABLE FOR USE WITH $\varnothing 2.1\text{mm}$ OR $\varnothing 2.5\text{mm}$ DC PLUG.
- RATED: 5A / 12V DC.
LIFE: 5,000 INSERTIONS MINIMUM.
INSULATION RESISTANCE BETWEEN ANY OPEN CONTACT
>100MW @ 500V DC.
- HOUSING MATERIAL: PBT 30% GF TO UL94 V-0 (3.2mm)
(CHANG CHUN PLASTIC PBT4830)



RoHS COMPLIANT
TOLERANCE
NO DEC. PLACE \pm
1 DEC. PLACE \pm
2 DEC. PLACE \pm
HOLE $\varnothing \pm$
ANGLES \pm
UNLESS OTHERWISE STATED
DO NOT SCALE

Cliff Electronic Components Ltd.
76 Holmehorpe Avenue, Holmehorpe Industrial Estate,
Redhill, Surrey, RH1 2PF, England, UK
Tel: 01737-771375 Fax: 01737-766012 Website: www.cliffuk.co.uk

THE CONTENTS OF THIS DOCUMENT MUST NOT BE COPIED OR DISCLOSED TO A 3rd PARTY WITHOUT WRITTEN PERMISSION OF CLIFF UK. © 2011

DIMENSIONS IN MILLIMETERS UNLESS OTHERWISE STATED. WORK TO DIMENSIONS. REMOVE ALL BURRS. IF IN DOUBT ASK.

MATERIAL: PBT / BRASS / PhBrz / BeCu

FINISH: AS MOULDED / SILVER PLATED TAGS

DRAWN: NJB APPROVED: DPJ

3rd ANGLE PROJECTION:

TITLE: DC10LP SOCKET (PCB MOUNT)

DRWG. No. **FC 681465P** FORM: A4DRWGH

X-ON Electronics

Largest Supplier of Electrical and Electronic Components

Click to view similar products for [cliff](#) manufacturer:

Other Similar products are found below :

[CL2160B TP/6 CS](#) [CL-SFE/1 FILTERS](#) [CIH206011](#) [FM686813](#) [CP30152](#) [CP30211](#) [CP303011X](#) [CP30173](#) [CP30176](#) [CP30178](#) [CP30179](#)
[CP30180](#) [CP30500C](#) [CP30202M3](#) [FCR1295](#) [FCR2065](#) [CL19192RB](#) [FCR7360B](#) [FM686816](#) [CIH29950](#) [CP30225SM](#) [CL681561](#) [CP30170](#)
[CP30174](#) [CIH684216](#) [FW6190](#) [CP30182](#) [CP30184](#) [CP30202M](#) [CIH3021](#) [CP30208NMB](#) [CP30222SMB](#) [CP30230X](#) [XNACF3V \(CP300284\)](#)
[FM686806](#) [CP30225S](#) [CL681560](#) [CL1396](#) [CL1110](#) [CP30181](#) [CP30183](#) [CP30202M3B](#) [CIH3007](#) [CL2075S](#) [BS300LLL](#) [FCR79910RB](#)
[FC6170](#) [CP30172](#) [CIH30240B](#) [CL2076S](#)