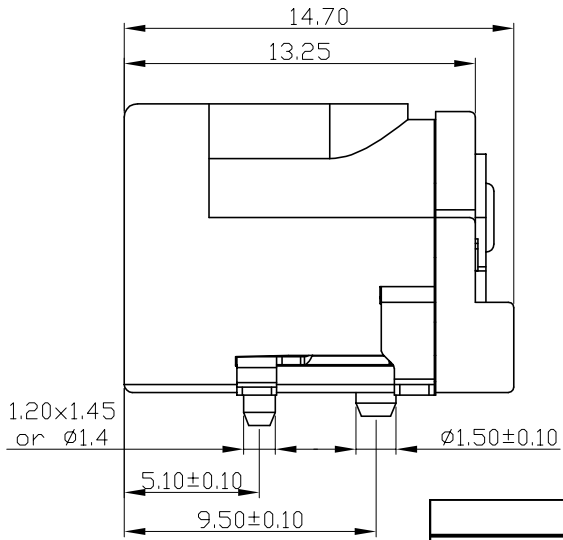
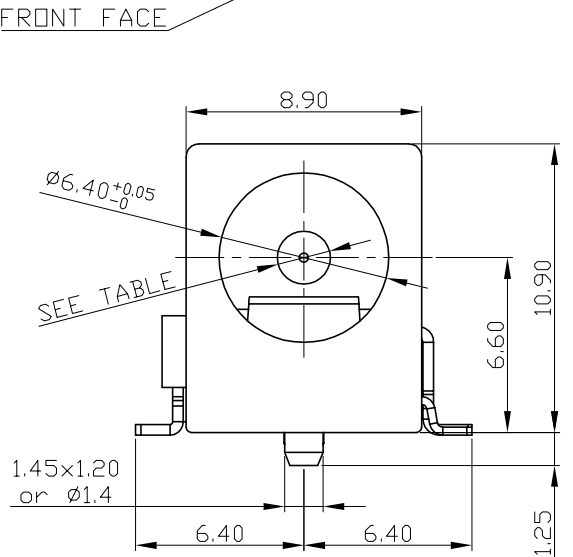
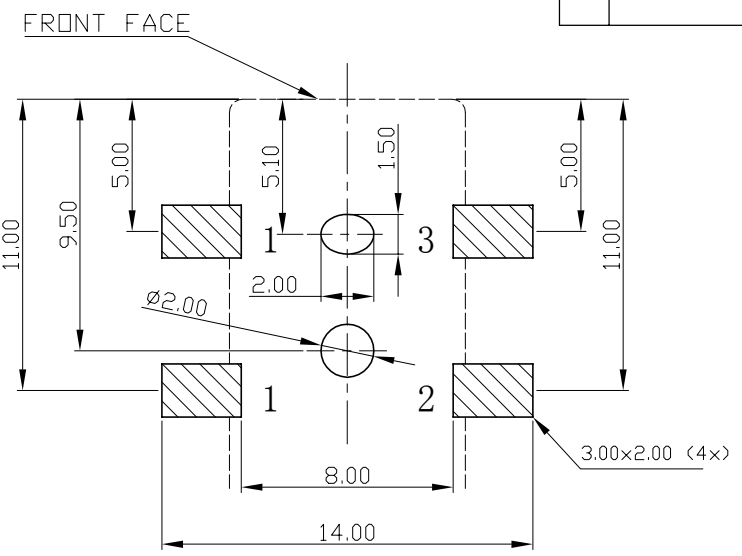
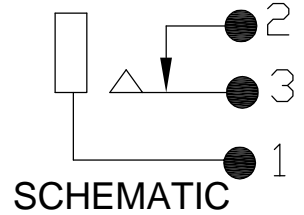
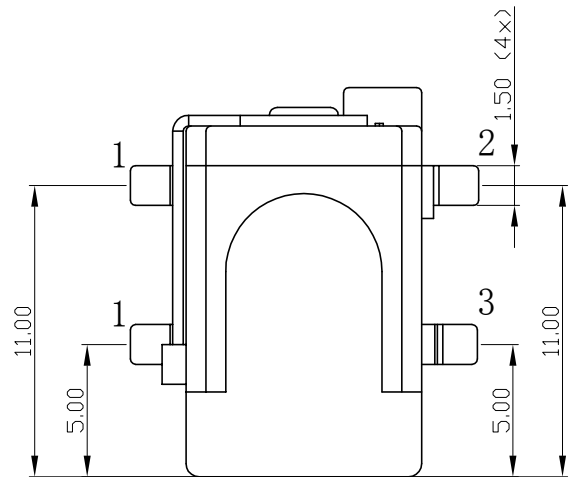


DESCRIPTION	QTY	MATERIAL	FINISH / COLOUR
COVER	1	LCP	BLACK
HOUSING	1	LCP	BLACK
CENTRE PIN	1	BRASS	NICKEL PLATED
CONTACT 1	1	BRASS	TIN PLATED
CONTACT 2	1	BRASS	TIN PLATED
CONTACT 3	1	PHOS BRONZE	TIN PLATED



ISS.	AMEND	DATE
1	ISSUED	16/10/12
2	ERR WAS 1000x/REEL	07/08/13
3	UPDATE PEG DIMS	24/10/16



PCB LAYOUT
BOTTOM VIEW

INSERTION / WITHDRAWAL FORCE: 0.3-2 kgf
 CONTACT RESISTANCE (4 TERMINAL METHOD 1KHz @ <math><100\text{mA}</math>)
 INITIAL PLUG / CONTACT <math><50\text{m}\Omega</math>
 CONTACT / SHUNT <math><30\text{m}\Omega</math>
 AFTER LIFE TEST PLUG / CONTACT <math><100\text{m}\Omega</math>
 CONTACT / SHUNT <math><60\text{m}\Omega</math>
 ELECTRICAL RATING 2A / 12V

VARIANTS			
PART No.	DESCRIPTION	PIN ϕ	SUPPLIED
FC68148S	SMD DC10-AS	$\phi 2.1$	BAGGED / LOOSE
FC68149S	SMD DC10-BS	$\phi 2.5$	BAGGED / LOOSE
FC68148ST	SMDT DC10-AS	$\phi 2.1$	TAPED 250x PER REEL
FC68149ST	SMDT DC10-BS	$\phi 2.5$	TAPED 250x PER REEL

RoHS
COMPLIANT

TOLERANCE
 NO DEC. PLACE ± 0.50
 1 DEC. PLACE ± 0.30
 2 DEC. PLACE ± 0.15
 HOLE $\phi \pm 0.10$
 ANGLES $\pm 2^\circ$
 UNLESS OTHERWISE STATED

Cliff Electronic Components Ltd.

76 Holmethorpe Avenue, Holmethorpe Industrial Estate,
Redhill, Surrey, RH1 2PF, England, UK
Tel: 01737-771375 Fax: 01737-766012 Website: www.cliffuk.co.uk

DIMENSIONS IN MILLIMETERS UNLESS OTHERWISE STATED. WORK TO DIMENSIONS. REMOVE ALL BURRS. IF IN DOUBT ASK.

3rd ANGLE PROJECTION:

DO NOT SCALE

MATERIAL: SEE TABLE

TITLE: SMD SOCKET DC-10AS 2.1mm + DC-10BS 2.5mm

FINISH: CLEAN

DRWG. No. **FC68148S**

THE CONTENTS OF THIS DOCUMENT MUST NOT BE COPIED OR DISCLOSED TO A 3rd PARTY WITHOUT WRITTEN PERMISSION OF CLIFF UK. © 2012

DRAWN: T.J.O.

APPROVED: D.P.J.

FORM: A4DRWGH

X-ON Electronics

Largest Supplier of Electrical and Electronic Components

Click to view similar products for [cliff](#) manufacturer:

Other Similar products are found below :

[SRP1 BLACK](#) [CL1423](#) [CL1432](#) [CL159825BA](#) [CL19192RB](#) [CL2160B TP/6 CS](#) [CL-SFE/1 FILTERS](#) [HFRP-01](#) [S2/BBB \(CL1220A\)](#)
[CIH206011](#) [CL14218](#) [CP30117](#) [CP30214M](#) [FM686813](#) [CL11607](#) [CL12345](#) [CL1308G](#) [CL13106G](#) [CP22R](#) [CP30152](#) [CP30211](#) [CP303011X](#)
[CL1406](#) [CL15501A](#) [CL1572](#) [CL681561](#) [CP30173](#) [CP30176](#) [CP30178](#) [CP30179](#) [CP30180](#) [CP30500C](#) [CP30202M3](#) [FCR1295](#) [FCR2065](#)
[FCR7360B](#) [FM686816](#) [CIH29950](#) [CP30225SM](#) [CP30170](#) [CP30174](#) [CIH684216](#) [FW6190](#) [CP30182](#) [CP30184](#) [CP30202M](#) [CIH3021](#)
[CP30208NMB](#) [CP30222SMB](#) [CP30230X](#)