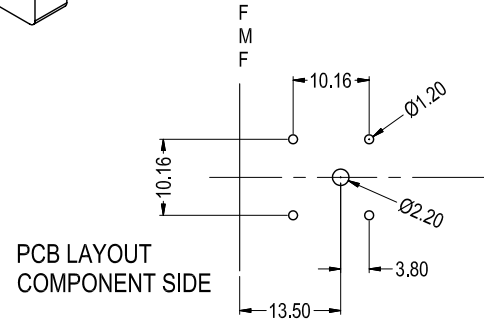
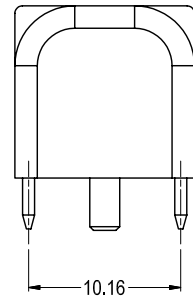
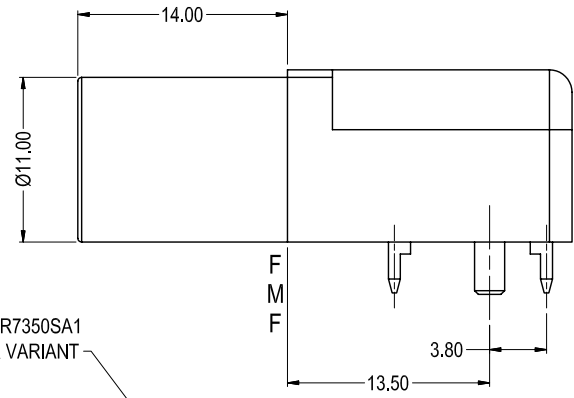
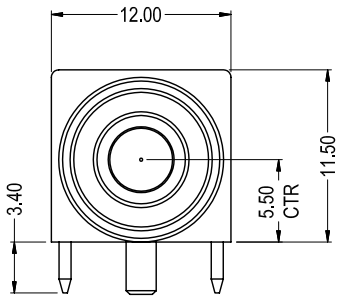
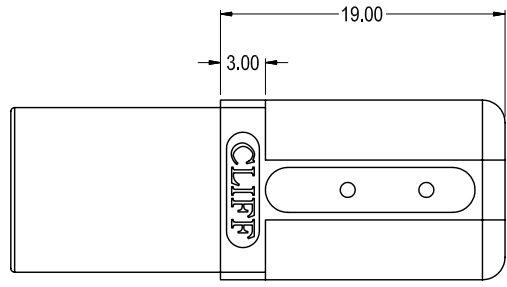
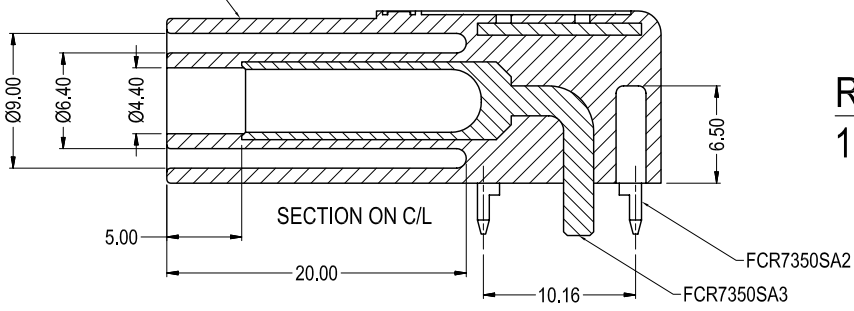


VARIANTS	
PART NO.	COLOUR
FCR7350B	BLACK
FCR7350R	RED
FCR7350G	GREEN
FCR7350L	BLUE
FCR7350Y	YELLOW



SEE FCR7350SA1 FOR COLOUR VARIANT



RATED
1KV CAT III - 24A

ISS.	AMEND	DATE
1	1st DRAWN	29/08/06
2	BORDER+RATINGS	03/09/10

NOTES

- 1) PART TO BE INSERT MOULDED WITH FCR7350SA2 AND FCR7350SA3
- 2) PARTS TO BE MADE TO CAD FILE SUPPLIED
- 3) PARTS TO BE FREE FROM FLASH AND SINK
- 4) FEED POINT TO BE AGREED
- 5) LOGO AND RATING TO BE ON INSERTS

RoHS
COMPLIANT

TOLERANCE
NO DEC. PLACE ±0.50
1 DEC. PLACE ±0.20
2 DEC. PLACE ±0.10
HOLE Ø ±0.10
ANGLES ±1/2°
UNLESS OTHERWISE STATED

Cliff Electronic Components Ltd. 76 Holmethorpe Avenue, Holmethorpe Industrial Estate, Redhill, Surrey, RH1 2PF, England, UK Tel: 01737-771375 Fax: 01737-766012 Website: www.cliffuk.co.uk	DIMENSIONS IN MILLIMETERS UNLESS OTHERWISE STATED. WORK TO DIMENSIONS. REMOVE ALL BURRS. IF IN DOUBT ASK.		3rd ANGLE PROJECTION:		DO NOT SCALE
	MATERIAL: NYLON 6 / BRASS	TITLE: S16N - PC (COLOUR)		DRWG. No. FCR7350	
FINISH: AS MOULDED / GOLD PLATED	DRAWN: T.J.O.	APPROVED: D.P.J.	FORM: A4DRWGH		

X-ON Electronics

Largest Supplier of Electrical and Electronic Components

Click to view similar products for [Test Sockets](#) category:

Click to view products by [Cliff](#) manufacturer:

Other Similar products are found below :

[AXS-5032-04-02](#) [AXS-3225-04-06](#) [AXS-7050-04-12](#) [5662](#) [BP30-10-B](#) [BP30GNN-1 PKG](#) [BP30-10Y-1 PKG](#) [AXS-7050-04-01](#) [AXS-5032-04-06](#) [AXS-2520-04-01](#) [AXS-5032-04-04](#) [930308101](#) [931714101](#) [15.0084-21](#) [563-0500](#) [20.1020-21](#) [20-313137](#) [20-313139](#) [20-313144](#) [20-313140](#) [20-313143](#) [22.1042](#) [+ 22.2370-22](#) [23.1010-23, 24, 25, 26, 27](#) [23.3060-23](#) [24.0160-1+25.0035](#) [24.0160-4+25.0035](#) [24.116-22](#) [5281](#) [5279](#) [450-3704-01-06-00](#) [AXS-3225-04-04](#) [AXS-3225-04-10](#) [AXS-7550-06-03](#) [AXS-7550-06-05](#) [269RB](#) [2713BB](#) [BP30BN-1 PKG](#) [BP30RN-1 PKG](#) [571-0200](#) [450-3422-01-06-00](#) [450-3888-01-04-00](#) [BP30GP10](#) [571-0400](#) [571-0600](#) [66.9131-23](#) [66.9427-22](#) [BP21-2BRN-B](#) [PKG](#) [930058104](#) [930103102](#) [930103188](#)