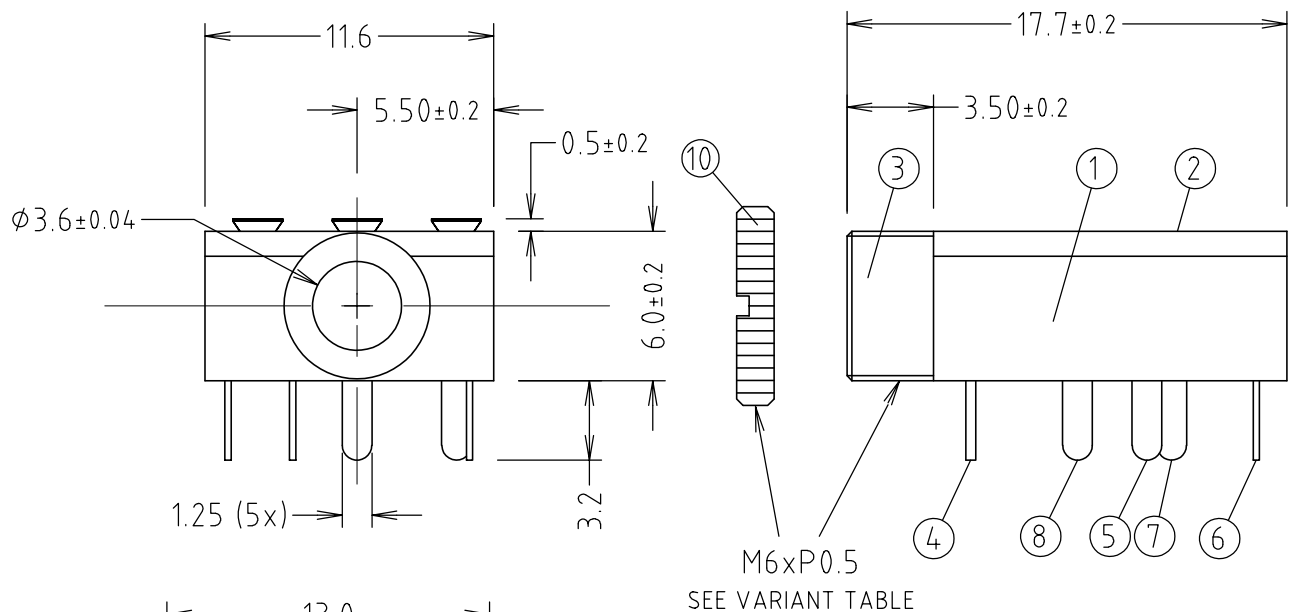
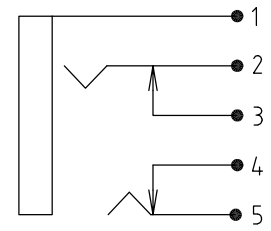


ISS.	AMEND	DATE
1	REDRAWN	08/12/89
2	ERROR CORRECT	27/06/90
3	FT6321 ADDED	26/03/99
4	NUT ADDED	04/03/10
5	UPDATE SPEC+BOM	26/06/19
6	UPDATE	21/10/20

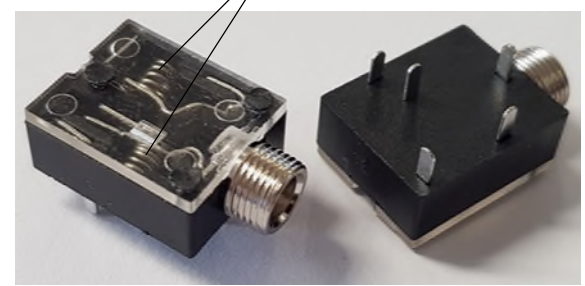


SCHEMATIC



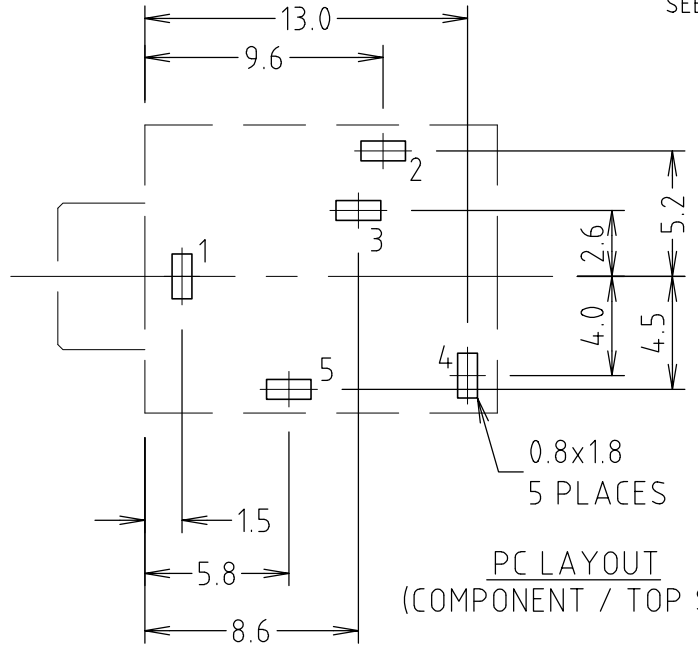
ITEM	PART NAME	QTY	MATERIAL	FINISH
1	BODY	1	PBT UL94-V0	BLACK
2	COVER	1	PC UL94-HB	CLEAR
3	NOSE	1	BRASS	Ni PLATE
4	EARTH TERM	1	BRASS	Ag PLATE
5	CONTACT	1	BRASS	Ag PLATE
6	CONTACT	1	BRASS	Ag PLATE
7	RING SPRING	1	PHOS BRONZE	Ag PLATE
8	TIP SPRING	1	BRASS	Ag PLATE
9	SPRING	2	SPRING STEEL	
10	RING NUT	1	BRASS	Ni PLATE

M6xP0.5
SEE VARIANT TABLE



SPECIFICATION

- a. Current Rating 24V DC / 2A
- b. Contact Resistance: 20mΩ max
- c. Insulation Resistance: 100MΩ min at 240V DC
- d. Dielectric Strength: 250V AC 1 minute
- e. Life: 5000+



PC LAYOUT
(COMPONENT / TOP SIDE)

VARIANTS		
PART No.	MODEL	WITH NUT
FT6320	JYS35 (M6x0.5)	YES
FT6321	JYS35 (PLAIN BUSH)	NO

NOTE: PLAIN BUSH VERSION HAS Ø6.0 NOSE

RoHS
COMPLIANT

TOLERANCE
 NO DEC. PLACE ± 0.50
 1 DEC. PLACE ± 0.20
 2 DEC. PLACE ± 0.10
 HOLE Ø ± 0.10
 ANGLES ± 1/2°
 UNLESS OTHERWISE STATED

DO NOT SCALE

Cliff Electronic Components Ltd.
 76 Holmethorpe Avenue, Holmethorpe Industrial Estate,
 Redhill, Surrey, RH1 2PF, England, UK
 Tel: 01737-771375 Fax: 01737-766012 Website: www.cliffuk.co.uk

DIMENSIONS IN MILLIMETERS UNLESS OTHERWISE STATED. WORK TO DIMENSIONS. REMOVE ALL BURRS. IF IN DOUBT ASK.

3rd ANGLE PROJECTION:

THE CONTENTS OF THIS DOCUMENT MUST NOT BE COPIED OR DISCLOSED TO A 3rd PARTY WITHOUT WRITTEN PERMISSION OF CLIFF UK. © 1989

MATERIAL: COMPOSITE SEE TABLE
 FINISH: AS TABLE
 DRAWN: C.A.M.J. APPROVED: R.W.T.

TITLE: 3.5mm STEREO JACK SOCKET JYS35
 DRWG. No. **FT6320** FORM: A4DRWG

X-ON Electronics

Largest Supplier of Electrical and Electronic Components

Click to view similar products for [DC Power Connectors](#) category:

Click to view products by [Cliff](#) manufacturer:

Other Similar products are found below :

[RAPC3FG](#) [B04P-VL-VN-1.8](#) [1600206-1](#) [163-0302](#) [163-0310-EX](#) [163-1100-EX](#) [163-4117-EX](#) [163-5005-E](#) [163-7421](#) [163-MJ22-EX](#) [171-0721-EX](#) [171-3118-EX](#) [173-23507-ST-EX](#) [KLDVX-SMT-02-ATR](#) [KLDX-SMT-0202-BP](#) [KLDX-SMT-0202-BPTR](#) [163-0179-EX](#) [163-0307-E](#) [163-1000-EX](#) [163-4015-EX](#) [163-4119-E](#) [171-0722-E](#) [171-3218-EX](#) [171-7391](#) [173-3413-ST-EX](#) [RAPCBRK](#) [K596](#) [KLD-0201-BC](#) [KLDVX-SMT-02-BTR](#) [KPPX-D](#) [RAPC3MHG](#) [RASM752TRX](#) [163-4800-E](#) [4C6831AX](#) [ACJS-HHDR-AU](#) [TS3PNJ](#) [DC-025LM-5A-2.5](#) [CL14218R](#) [DC-105-4A-1.6](#) [163-0210A-E](#) [09441 AS120-F](#) [09442 AS120-M](#) [09760](#) [CP30240](#) [TAMIYA-M](#) [TAMIYA-MT1](#) [TAMIYA-MT2](#) [4840.1200](#) [4840.2202](#) [C5080HI-04P-18 + C5080HI-C](#)