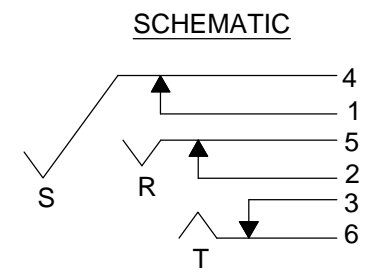
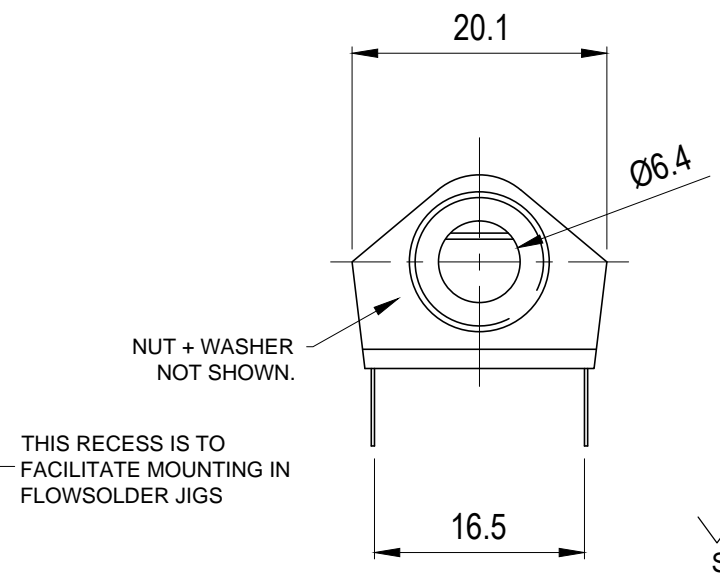
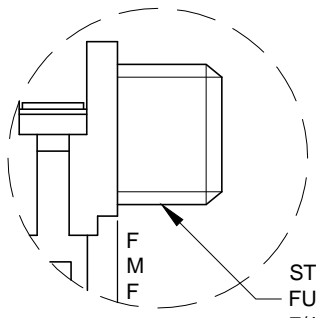
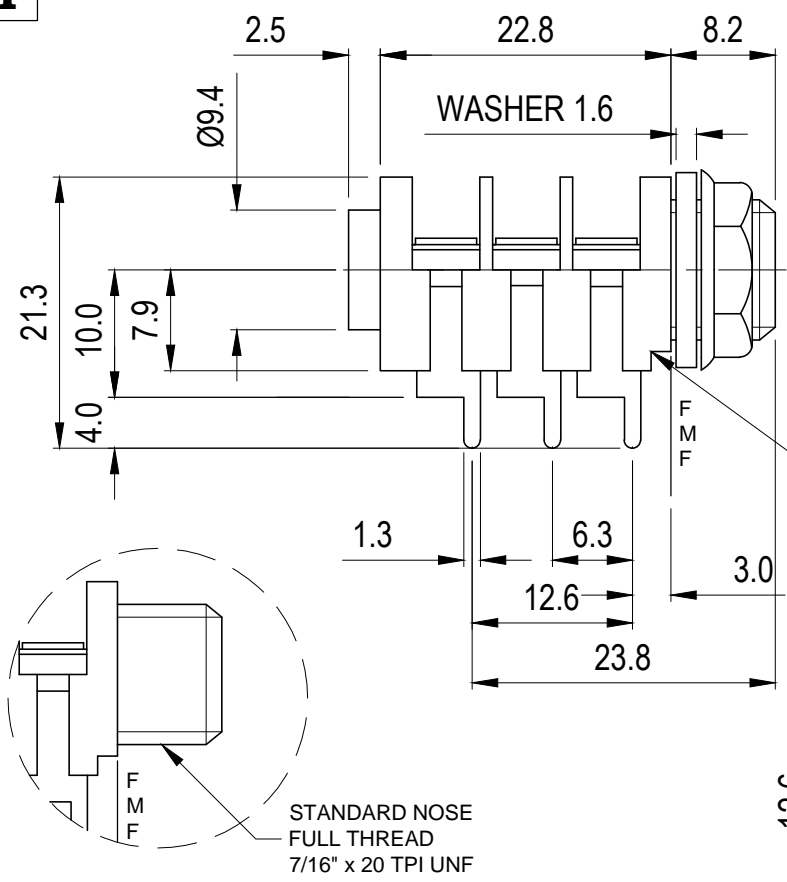
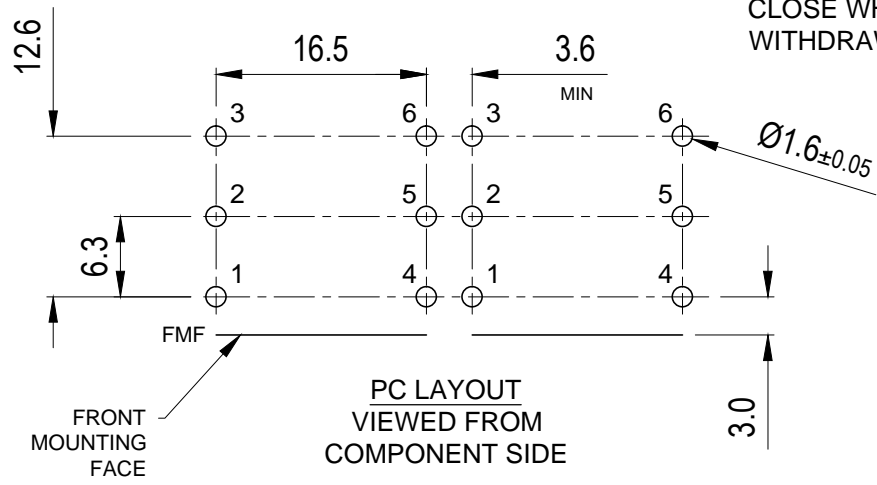


ISS.	AMEND	DATE
1	ISSUED	25/09/14



SWITCH CONTACTS OPEN WHEN PLUG IS INSERTED, CLOSE WHEN PLUG IS WITHDRAWN.



NOTES

- Maximum panel thickness 4.6mm.
- Supplied with nut + fibre washer assembled.

SPECIFICATION

Withstand voltage: 2000V DC Min.
 Maximum Current: 5 amps
 Temperature Rating: -10° C to +70° C
 Life (Minimum): 10,000+ Operations
 Nominal Contact Resistance: <50mΩ

RoHS COMPLIANT	
TOLERANCE	
NO DEC. PLACE ±	
1 DEC. PLACE ±	
2 DEC. PLACE ±	
HOLE Ø ±	
ANGLES ±	
UNLESS OTHERWISE STATED	

Cliff Electronic Components Ltd.
 76 Holmehorpe Avenue, Holmehorpe Industrial Estate,
 Redhill, Surrey, RH1 2PF, England, UK
 Tel: 01737-771375 Fax: 01737-766012 Website: www.cliffuk.co.uk

DIMENSIONS IN MILLIMETERS UNLESS OTHERWISE STATED. WORK TO DIMENSIONS. REMOVE ALL BURRS. IF IN DOUBT ASK.
 MATERIAL: NYLON / NiAg / FIBRE
 FINISH: AS MOULDED / MICROFINISH
 DRAWN: TJO APPROVED: DPJ

1st DRAWN: 11/01/1991

3rd ANGLE PROJECTION:

TITLE: S2/BBB/PCA JACK SOCKET - ASSEMBLED
 DRWG. No. **CL1232A** FORM: A4DRWGH

THE CONTENTS OF THIS DOCUMENT MUST NOT BE COPIED OR DISCLOSED TO A 3rd PARTY WITHOUT WRITTEN PERMISSION OF CLIFF UK. © 1991

X-ON Electronics

Largest Supplier of Electrical and Electronic Components

Click to view similar products for [cliff](#) manufacturer:

Other Similar products are found below :

[SRP1 BLACK](#) [CL1423](#) [CL1432](#) [CL159825BA](#) [CL19192RB](#) [CL2160B TP/6 CS](#) [CL-SFE/1 FILTERS](#) [HFRP-01](#) [S2/BBB \(CL1220A\)](#)
[CIH206011](#) [CL14218](#) [FM686813](#) [CL12345](#) [CL1308G](#) [CL13106G](#) [CP22R](#) [CP30152](#) [CP30211](#) [CP303011X](#) [CL1406](#) [CL15501A](#) [CL1572](#)
[CL681561](#) [CP30173](#) [CP30176](#) [CP30178](#) [CP30179](#) [CP30180](#) [CP30500C](#) [CP30202M3](#) [FCR1295](#) [FCR2065](#) [FCR7360B](#) [FM686816](#)
[CIH29950](#) [CP30225SM](#) [CP30170](#) [CP30174](#) [CIH684216](#) [FW6190](#) [CP30182](#) [CP30184](#) [CP30202M](#) [CIH3021](#) [CP30208NMB](#) [CP30222SMB](#)
[CP30230X](#) [XNACF3V \(CP300284\)](#) [FM686806](#) [CP30225S](#)