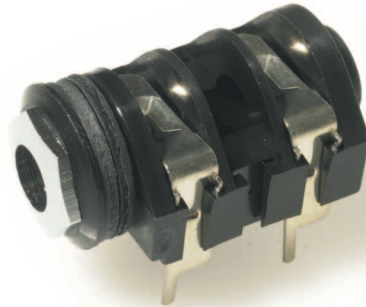
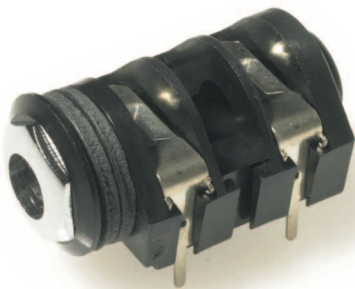




S4 / BNB Solder Tag



S4 / BNB PC - A



S4 / BNB PC - C



S4 / BBB PC - C Kinked

The **CLIFF**® range of S4 Jack Sockets incorporate our Ni-Ag® Alloy Self-Cleaning Contacts for superior performance and reliability. All models have a durable premium quality nylon body. The S4 Jack Socket is available in mono or stereo with unswitched, switched or make contacts and with a choice of either solder tag or six standard PCB mounting versions.

Significant features include:

- Ni-Ag® Alloy Self-Cleaning Contacts for superior performance and reliability.
- Optional 'Kinked' Legs for snap-in PCB mounting on PC-A and PC-C styles to facilitate pre-assembly and wave soldering.
- Tough, molded Nylon body.
- Optional Chassis Grounding versions.
- Optional Plated Contacts.
- Optional EMI/RFI Screen.
- Optional combined Nut to Bezel.

Cliff Electronic Components, Ltd.

76 Holmethorpe Avenue, Holmethorpe Ind. Est.

Redhill, Surrey RH1 2PF. England

Tel: +44 (0) 1737 771375

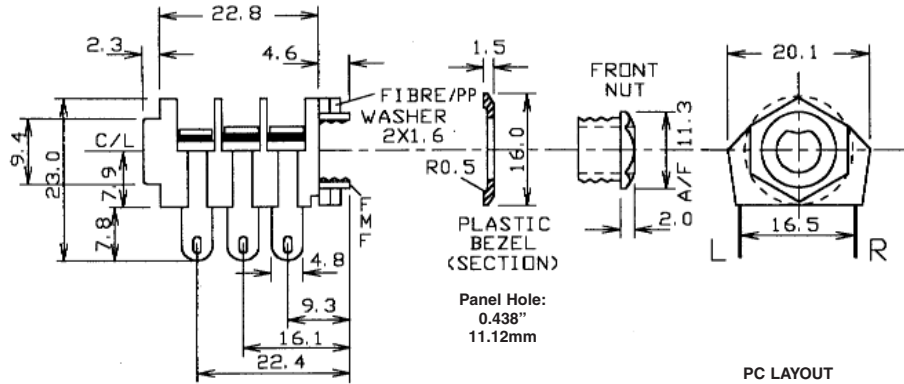
Fax: +44 (0) 1737 766012

Email: sales@cliffuk.co.uk

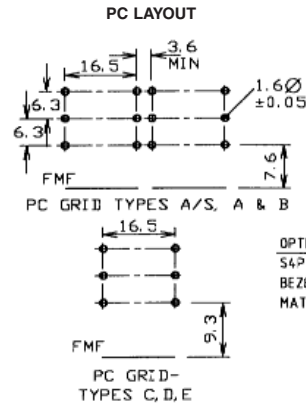


Visit us online at:

www.cliffuk.co.uk



BACK OF SOCKET ←		→ FRONT OF SOCKET		
SPECIAL REVERSED CUT CONTACT 12.5 TO C/L (12.5 = SPECIAL)	12.5 TO C/L 1.3 WIDE (12.5 = SPECIAL)	10.0 TO C/L 1.3 WIDE PC TYPE A	1.3 WIDE PC TYPE B	4.3 1.3 WIDE PC TYPE C
PCA/S/REV	PC TYPE A/S	PC TYPE A	PC TYPE B	PC TYPE C
10.0 TO C/L 5.7 PRODUCED BY CUTTING FROM A STD SOLDER TAG TYPE	1.30 0.80 0.85 16.8±0.2 R0.90 1.4 PC-C 'KINKED'	15mm TO C/L 1.3 WIDE PC TYPE D	17.5 TO C/L 1.3 WIDE PC TYPE E	
PCA 'SPIKY'	PC-C 'KINKED'	PC TYPE D	PC TYPE E	



Printed Circuit Board Styles

Specification:

- Withstand voltage:** 2000V DC Min.
- Maximum Current:** 5 amps
- Temperature Rating:** -10° C to +70° C
- Life (Minimum):** 10,000+ Operations
- Nominal Contact Resistance:** <50mΩ

Technical Data:

Designed to receive both mono and stereo 1/4" jack plugs, the S4 socket is produced from grade 1 black nylon and is supplied with a high quality Chrome plated Brass nut. Mounting is effected by screwing the Chrome Facia nut (with plastic bezel) into a threaded plastic bush which protrudes from the body. Coloured bezels are also available for identification purposes. For superior performance, the contacts are **CLIFF® Ni-Ag® Alloy** and are designed to self-clean upon insertion and removal of the jack plug. The contacts can also be supplied with our special low noise Ni-Ag® 'ST' or Gold plating and in addition to the standard solder tag version, there are six standard PCB mounting styles available. The S4 can also be supplied with prefitted EMI/RFI screen if required. When ordering, please state the contact arrangement required, with a plug inserted, using the following code from the front of the jack socket: B - Break, M - Make, S - Single, N - No Contact. For example, an S4/BMB PC-C Black is a 3-pole stereo jack socket, 1st contact - 'Break', 2nd contact - 'Make' and third contact - 'Break' with PC-C solder pins.



S4 Coloured Bezels



S4 Combined Nut & Bezel



S4 EMI/RFI Screen

X-ON Electronics

Largest Supplier of Electrical and Electronic Components

Click to view similar products for [cliff](#) manufacturer:

Other Similar products are found below :

[CL-SFE/1 FILTERS](#) [CIH206011](#) [FM686813](#) [CP30152](#) [CP30211](#) [CP303011X](#) [CP30173](#) [CP30176](#) [CP30178](#) [CP30179](#) [CP30180](#) [CP30500C](#)
[FC6141](#) [CP30202M3](#) [CP30201](#) [FCR1295](#) [FCR2065](#) [CL19192RB](#) [CP30208NX](#) [FCR7360B](#) [FM686816](#) [CIH29950](#) [CP30225SM](#) [CL681561](#)
[CP30170](#) [CP30174](#) [CIH684216](#) [FCR2062](#) [FW6190](#) [CP30182](#) [CP30184](#) [CP30202M](#) [CIH3021](#) [CP30208NMB](#) [CP30230X](#) [FM686806](#)
[CL1396](#) [CL1110](#) [CP30181](#) [CP30183](#) [CP30202M3B](#) [CIH3007](#) [CL2075S](#) [BS300LLL](#) [FCR79910RB](#) [CIH30240B](#) [CL2076S](#) [CL2160B](#) [TP/6](#)
[CS](#) [DC8](#) [CP30110](#)