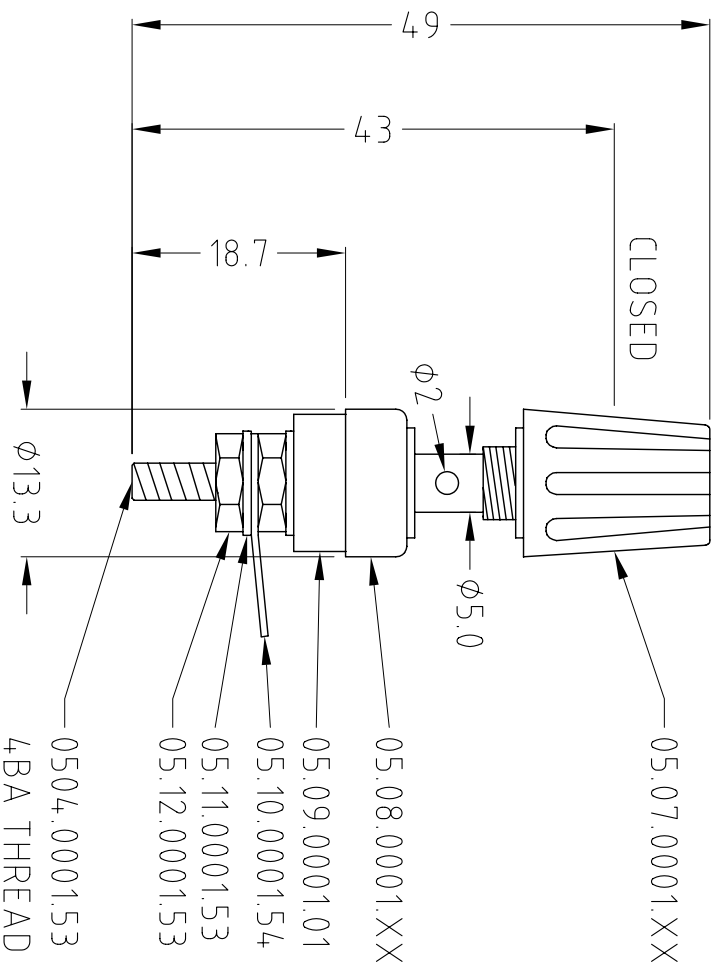
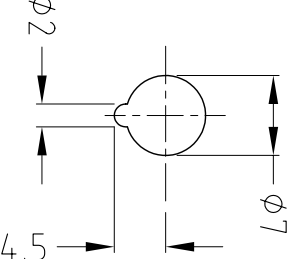


FULLY OPEN

CLOSED



MOUNTING HOLE



P/No.	VARIANTS		COLOURS		
	MODEL	MODEL	Knob	TOP INS	BOT INS
CL1505	TP/1 BLACK	TP/1 BLACK	BLACK	BLACK	CLEAR
CL1505U	TP/1 BLACK UNASS	TP/1 BLACK UNASS	BLACK	BLACK	CLEAR
CL1506	TP/1 RED	TP/1 RED	RED	RED	CLEAR
CL1506U	TP/1 RED UNASS	TP/1 RED UNASS	RED	RED	CLEAR
CL1507	TP/1 BLUE	TP/1 BLUE	BLUE	BLUE	CLEAR
CL1507U	TP/1 BLUE UNASS	TP/1 BLUE UNASS	BLUE	BLUE	CLEAR
CL1508	TP/1 GREEN	TP/1 GREEN	GREEN	GREEN	CLEAR
CL1508U	TP/1 GREEN UNASS	TP/1 GREEN UNASS	GREEN	GREEN	CLEAR
CL1509	TP/1 WHITE	TP/1 WHITE	WHITE	WHITE	CLEAR
CL1509U	TP/1 WHITE UNASS	TP/1 WHITE UNASS	WHITE	WHITE	CLEAR
CL1511	TP/1 BROWN	TP/1 BROWN	BROWN	BROWN	CLEAR
CL1511U	TP/1 BROWN UNASS	TP/1 BROWN UNASS	BROWN	BROWN	CLEAR
CL1512	TP/1 YELLOW	TP/1 YELLOW	YELLOW	YELLOW	CLEAR
CL1512U	TP/1 YELLOW UNASS	TP/1 YELLOW UNASS	YELLOW	YELLOW	CLEAR

ASSEMBLY NOTES:

- 1) SUPPLIED ASSEMBLED AS SHOWN IS STANDARD.
 - 2) 'U' VARIANTS ARE SUPPLIED UNASSEMBLED.
- TOP + BOT INSULATORS, NUTS, WASHERS, BULK PACKED.



TOLERANCE
 NO DEC. PLACE ±
 1 DEC. PLACE ±
 2 DEC. PLACE ±
 HOLE Ø ±
 ANGLES ±
 UNLESS OTHERWISE STATED

Cliff Electronic Components Ltd.

76 Holmechore Avenue, Holmechore Industrial Estate,
 Redhill, Surrey, RH1 2PF, England, UK
 Tel: 01737-771375 Fax: 01737-766012 Website: www.cliffuk.co.uk
 THE CONTENTS OF THIS DOCUMENT MUST NOT BE COPIED OR DISCLOSED TO A 3rd PARTY WITHOUT WRITTEN PERMISSION OF CLIFF UK. © 2009

DIMENSIONS IN MILLIMETERS UNLESS OTHERWISE STATED. WORK TO DIMENSIONS. REMOVE ALL BURRS. IF IN DOUBT ASK.		3rd ANGLE PROJECTION:		DO NOT SCALE	
MATERIAL:	POLYPROP / BRASS / POLYAMIDE	TITLE:	TERMINAL POST TP/1	ISS.	AMEND
FINISH:	AS MOULDED / Ag / NI PLATED	DRWG. No.	CL1505	1	1st DRAWN
DRAWN:	C.A.M.J.	APPROVED:	R.W.T.	2	UNASSEM VAR ADD
				3	VAR UNASSEM ADD
					DATE
					23/06/09
					13/05/11
					21/09/12
					FORM: ADDRUGH

X-ON Electronics

Largest Supplier of Electrical and Electronic Components

Click to view similar products for [Test Sockets](#) category:

Click to view products by [Cliff](#) manufacturer:

Other Similar products are found below :

[AXS-5032-04-02](#) [AXS-3225-04-06](#) [AXS-7050-04-12](#) [5662](#) [BP30-10-B](#) [BP30GNN-1 PKG](#) [BP30-10Y-1 PKG](#) [AXS-7050-04-01](#) [AXS-5032-04-06](#) [AXS-2520-04-01](#) [AXS-5032-04-04](#) [930308101](#) [931714101](#) [15.0084-21](#) [563-0500](#) [20.1020-21](#) [20-313137](#) [20-313139](#) [20-313144](#) [20-313140](#) [20-313143](#) [22.1042](#) [+ 22.2370-22](#) [23.1010-23, 24, 25, 26, 27](#) [23.3060-23](#) [24.0160-1+25.0035](#) [24.0160-4+25.0035](#) [24.116-22](#) [5281](#) [5279](#) [450-3704-01-06-00](#) [AXS-3225-04-04](#) [AXS-3225-04-10](#) [AXS-7550-06-03](#) [AXS-7550-06-05](#) [269RB](#) [2713BB](#) [BP30BN-1 PKG](#) [BP30RN-1 PKG](#) [571-0200](#) [450-3422-01-06-00](#) [450-3888-01-04-00](#) [BP30GP10](#) [571-0400](#) [571-0600](#) [66.9131-23](#) [66.9427-22](#) [BP21-2BRN-B](#) [PKG](#) [930058104](#) [930103102](#) [930103188](#)