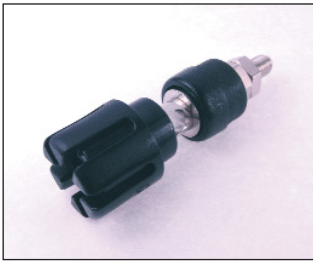
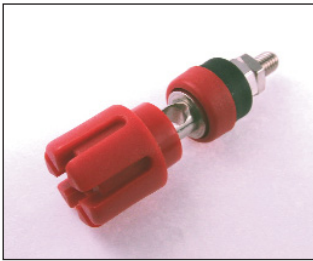


CLIFF

TERMINAL SERIES TP/6



CL159709
TP/6S BLACK ASSEMBLED



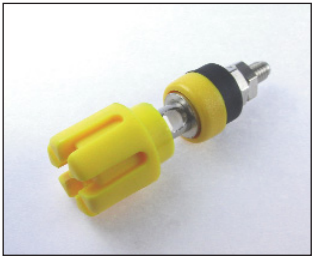
CL159710
TP/6S BLACK UNASSEMBLED



CL159719
TP/6S RED ASSEMBLED



CL159720
TP/6S RED UNASSEMBLED



CL159730
TP/6S BLUE ASSEMBLED



CL159729
TP/6S BLUE UNASSEMBLED



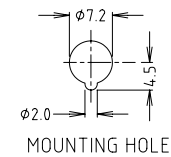
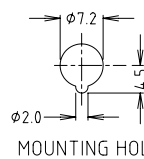
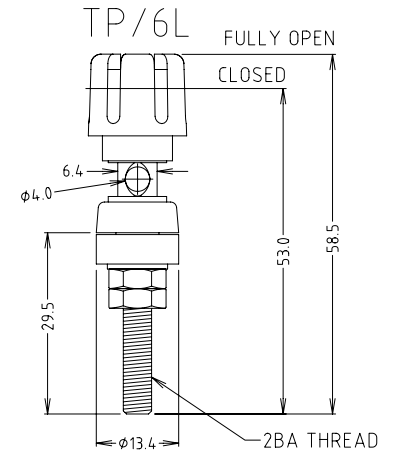
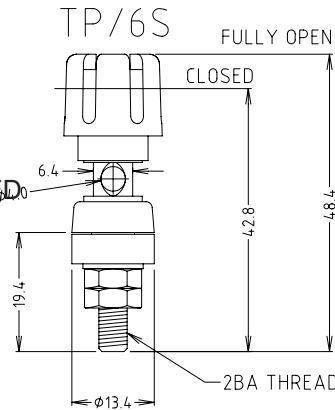
CL159740
TP/6S GREEN ASSEMBLED

CL159741
TP/6S GREEN UNASSEMBLED

CL159775
TP/6S YELLOW ASSEMBLED

CL159774
TP/6S YELLOW UNASSEMBLED

CL1595
TPP/1 TERMINAL MOUNTING PLATE



MOUNTING HOLE

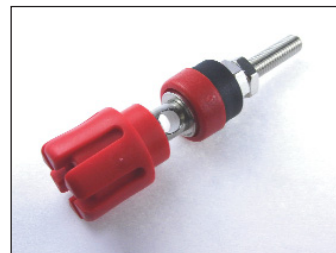
Current Rating: 30A.

Flammability: Min UL94HB

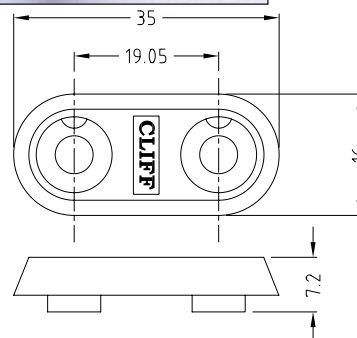
Unassembled parts come with top and bottom insulators, nuts and washers bulk packed.



CL159715
TP/6L BLACK ASSEMBLED



CL159725
TP/6L RED ASSEMBLED



All models can be supplied with either gold or nickel plated finish. Customised versions available dependant on MOQ's.

For further information, contact: sales@cliffuk.co.uk

X-ON Electronics

Largest Supplier of Electrical and Electronic Components

Click to view similar products for [Test Plugs & Test Jacks](#) category:

Click to view products by [Cliff](#) manufacturer:

Other Similar products are found below :

[579-0400](#) [66000-7](#) [R644543000](#) [R921923000](#) [R921930000](#) [R941344000](#) [R948161000](#) [R999351000](#) [1408-4](#) [1533-1](#) [174-R825B-EX](#)
[NYS508-BU](#) [1680](#) [174-R819B-EX](#) [R644543003](#) [R644543020](#) [R644543021](#) [R921926000](#) [R921931000](#) [R921932000](#) [R921934000](#)
[R929991000](#) [R941460000](#) [R941461000](#) [R941463600](#) [R941920600](#) [R948160000](#) [31B-2-RED](#) [032-0016-023](#) [105-1106-001](#) [108-1000-106](#)
[108-2301-621](#) [111-0707-001](#) [66001-9](#) [7013](#) [1395080-1](#) [930166100](#) [NYS508-GR](#) [NYS508-W](#) [NYS508-Y](#) [NYS511-R](#) [BP30-2BR10-B PKG](#)
[BP30-10-WT](#) [BP30-2BR-B PKG](#) [BP30Y-1 PKG](#) [R941049000](#) [R941340000](#) [R948141029](#) [R644543022](#) [R948142000](#)