

Industrial Combination Signal 106 dB (A) / 5 Joule Series YL40



- > Max sound output 106 db (A) / 1 m
- > IP65 rated as standard
- > Strobe available in 5 Joules
- > 32 selectable tones meeting international regulations
- > Flame retardant ABS enclosure
- > Stainless steel fixings
- > 2 stage alarm
- > Independently selectable second stage
- > Lens available in six different colours
- > Low current consumption



14670E00

E5

Yodalight range
Compact multi-purpose audible and visual signalling device designed for use in industrial applications.

Approvals

| | | |
|--------------|--|--|
| Certificates | | UL 1638, UL 464 |
| | | BS EN 54-3 : 2001 incorporates amendment A 1 : 2002 + A2 : 2006 |
| | | BS EN 54-3 : 2001 incorporates amendment A 1 : 2002 + A2 : 2006 |
| | | EN54-3 : 2001 + A1 : 2002 + A2 : 2006 VdS 2504 (12/96), VdS 2203 (03/01), VdS 2344 (12/05), Cert No. G28702 |
| | | Marine Equipment Directive MED Module B BSI/MED/A.1/3.53/590299, Module D BSI/MED/PC/590302 |
| Note | Information for European users of the YL40 combination device: The optical device/beacon cannot be used as part of a fire alarm system. Only the sounder has been certified to the relevant EN54 standard. | |

Industrial Combination Signal 106 dB (A) / 5 Joule Series YL40



Selection Table

| Version | Enclosure colour | Flash energy | Rated operational voltage | Lens colour | Order number | Art. no. | Weight kg | | | |
|---|------------------|------------------|---|----------------------|------------------|----------|--------------|----------------------|--------|-------|
| YL40 Sounder/Strobe combination, BS EN 54-3 + MED, standard devices | red normal (RN) | 5 J | 24 V DC | amber | YL40/D50/A/RN/WR | 204507 | 0.510 | | | |
| | | | | red | YL40/D50/R/RN/WR | 204540 | 0.510 | | | |
| | | | | green | YL40/D50/G/RN/WR | 211992 | 0.510 | | | |
| | | | | opal | YL40/D50/O/RN/WR | 204527 | 0.510 | | | |
| | | | | blue | YL40/D50/B/RN/WR | 204518 | 0.510 | | | |
| | | | | clear | YL40/D50/C/RN/WR | 211993 | 0.510 | | | |
| | | | 115 V AC | amber | YL40/L50/A/RN/WR | 204552 | 0.570 | | | |
| | | | | red | YL40/L50/R/RN/WR | 204562 | 0.570 | | | |
| | | | | green | YL40/L50/G/RN/WR | 204557 | 0.570 | | | |
| | | | | opal | YL40/L50/O/RN/WR | 211994 | 0.570 | | | |
| | | | | blue | YL40/L50/B/RN/WR | 211995 | 0.570 | | | |
| | | | | clear | YL40/L50/C/RN/WR | 211996 | 0.570 | | | |
| | | | 230 V AC | amber | YL40/N50/A/RN/WR | 204570 | 0.570 | | | |
| | | | | red | YL40/N50/R/RN/WR | 204588 | 0.570 | | | |
| | | | | green | YL40/N50/G/RN/WR | 211997 | 0.570 | | | |
| | | | | opal | YL40/N50/O/RN/WR | 211998 | 0.570 | | | |
| | | | | blue | YL40/N50/B/RN/WR | 211999 | 0.570 | | | |
| | | | | clear | YL40/N50/C/RN/WR | 212000 | 0.570 | | | |
| | | | YL40 Sounder/Strobe combination, UL certification | red normal (RN) | 5 J | 24 V DC | amber | YL40/D50/A/RN/UL | 204595 | 0.510 |
| | | | | | | | red | YL40/D50/R/RN/UL | 204599 | 0.510 |
| | | | | | | | green | YL40/D50/G/RN/UL | 212001 | 0.510 |
| opal | YL40/D50/O/RN/UL | 212002 | | | | | 0.510 | | | |
| blue | YL40/D50/B/RN/UL | 212003 | | | | | 0.510 | | | |
| clear | YL40/D50/C/RN/UL | 212004 | | | | | 0.510 | | | |
| 115 V AC | amber | YL40/L50/A/RN/UL | | | | 204600 | 0.570 | | | |
| | red | YL40/L50/R/RN/UL | | | | 204788 | 0.570 | | | |
| | green | YL40/L50/G/RN/UL | | | | 212005 | 0.570 | | | |
| | opal | YL40/L50/O/RN/UL | | | | 212006 | 0.570 | | | |
| | blue | YL40/L50/B/RN/UL | | | | 212007 | 0.570 | | | |
| | clear | YL40/L50/C/RN/UL | | | | 212008 | 0.570 | | | |
| 230 V AC | amber | YL40/N50/A/RN/UL | | | | 212009 | 0.570 | | | |
| | red | YL40/N50/R/RN/UL | | | | 210155 | 0.570 | | | |
| | green | YL40/N50/G/RN/UL | | | | 212010 | 0.570 | | | |
| | opal | YL40/N50/O/RN/UL | | | | 212011 | 0.570 | | | |
| | blue | YL40/N50/B/RN/UL | | | | 212012 | 0.570 | | | |
| | clear | YL40/N50/C/RN/UL | | | | 212013 | 0.570 | | | |
| YL40 Sounder/Strobe combination, VDS certification | red normal (RN) | 5 J | | | | 24 V DC | amber | YL40/D50/A/RN/WR/VDS | 212014 | 0.510 |
| | | | | | | | red | YL40/D50/R/RN/WR/VDS | 212015 | 0.510 |
| | | | | | | | green | YL40/D50/G/RN/WR/VDS | 212016 | 0.510 |
| | | | opal | YL40/D50/O/RN/WR/VDS | 212017 | | 0.510 | | | |
| | | | blue | YL40/D50/B/RN/WR/VDS | 212018 | | 0.510 | | | |
| | | | clear | YL40/D50/C/RN/WR/VDS | 212019 | | 0.510 | | | |

Note Other voltages and variants are available. Please contact your local sales office for more details

Industrial Combination Signal 106 dB (A) / 5 Joule Series YL40



Technical Data

Electrical data

| | | |
|---------------------------|--|--------|
| Rated operational voltage | 24 or 48 V DC 115 or 230 V AC | |
| Current consumption | 24 V DC | 343 mA |
| | 48 V DC | 187 mA |
| | 115 V AC | 127 mA |
| | 230 V AC | 118 mA |
| | at tone 1 | |
| Operational parameters | + or - 10% of nominal | |
| Line monitoring | line monitoring excludes additional voltage options: 3 wire, 2 stage or 2 wire, single stage: monitor via reverse polarity 2 wire, 2 stage i.e. bi-polar inputs: monitor via threshold (applied voltage < 1 V) monitor via reverse polarity | |

Acoustic data

| | |
|-----------------|-----------------------------------|
| Volume | max. 106 dB (A) |
| Volume control | 18 dB (A) adjustment |
| Sound stages | 2, independantly selectable tones |
| Sound selection | via DIL switch |

Luminous characteristics

| | | |
|-----------------|--------------------------------------|-----------------|
| Light source | Xenon flash tube | |
| Flash energy | 5 J | |
| Flash rate | 1 per second | |
| Light intensity | Effective candela (cd) | Candela Seconds |
| | clear | 72.10 14.44 |
| | red | 8.92 1.186 |
| | amber | 25.52 5.111 |
| | blue | 14.09 2.82 |
| | green | 29.70 5.946 |
| | opal | 65.78 13.17 |
| Lens colour | amber, red, green, opal, blue, clear | |

Ambient conditions

| | | |
|-----------------------------|-------------------------|----------------|
| Operating temperature range | Standard variants: | -25 ... +55 °C |
| | VDS certified variants: | -25 ... +40 °C |
| | UL certified variants: | -35 ... +66 °C |
| Storage temperature | - 40 ... + 70 °C | |
| Max. relative humidity | 93% ± 3 at 40 °C | |

Mechanical data

| | |
|----------------------|--------------------------------|
| Material | |
| Enclosure | flame retardant ABS |
| Lens cover | polycarbonate, flame retardant |
| Assembly parts | stainless steel fixings |
| Labels | polyester foil, adhesive |
| Degree of protection | IP65 (IEC60529) |

Mounting / Installation

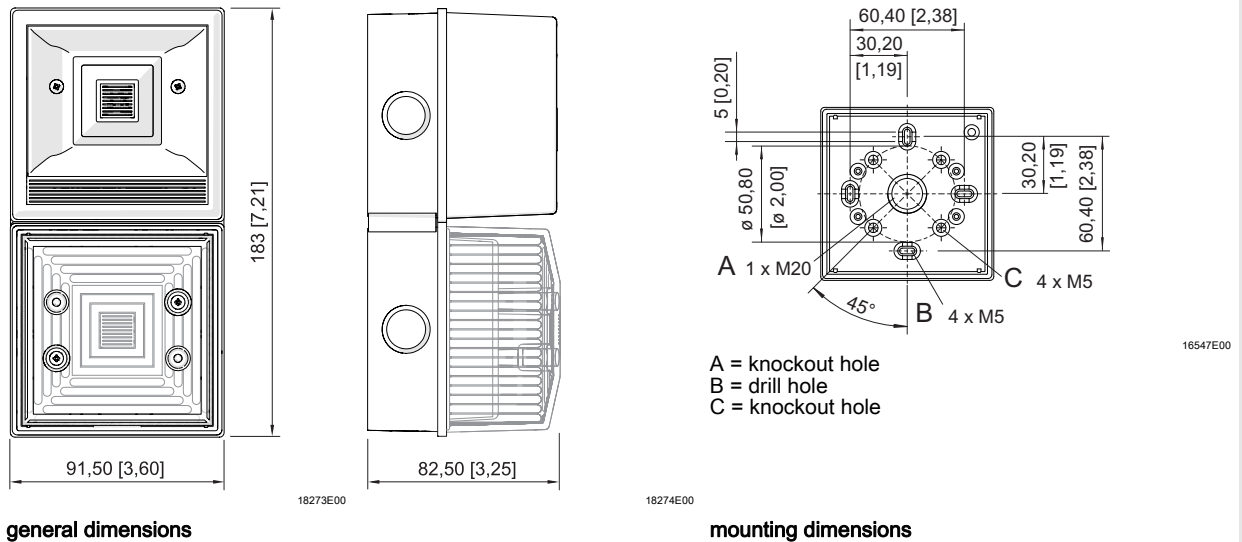
| | |
|------------|---|
| Assembly | Should be mounted to a reasonably flat wall or bulkhead of suitable material using the internal fixing holes. The recommended fixing screws are dia. 4.5 mm max. x 20 mm long. To maintain the integrity of the weather seal, the cable entry must be fitted using a suitable sealed gland. |
| Connection | V DC variants separate input and output 2,5mm ² terminals V AC variants 2,5mm ² terminals |

E5

Industrial Combination Signal 106 dB (A) / 5 Joule Series YL40



Dimensional Drawings (All Dimensions in mm [inches]) - Subject to Alterations



We reserve the right to make alterations to the technical data, dimensions, weights, designs and products available without notice. The illustrations cannot be considered binding.

X-ON Electronics

Largest Supplier of Electrical and Electronic Components

Click to view similar products for [Clifford & Snell](#) manufacturer:

Other Similar products are found below :

[204330](#) [204434](#) [204436](#) [204540](#) [204570](#) [204646](#) [204678](#) [204717](#) [204720](#) [204735](#) [204738](#) [YA50/N/RF/WR](#) [207067](#) [204994](#) [204364](#)
[204407](#) [204507](#) [204835](#) [204697](#) [YL40/D50/R/RN/WR](#) [FL40/D50/R/RN](#) [YA50/D/RF/WR](#) [205101](#) [204955](#) [205026](#) [205047](#) [204881](#) [204588](#)
[YL40/N50/A/RN/WR](#) [204382](#) [YL40/N50/R/RN/WR](#) [204815](#) [FL60/C/D50/A/EU](#) [YL60/C/D50/R/EU](#) [FL40/D50/A/RN](#) [YL40/D50/A/RN/WR](#)
[YL50/N50/R/RF/WR](#) [YA30/D/RF/WR](#) [YA30/N/RF/WR](#) [YL50/N50/A/RF/WR](#) [YL50/L50/R/RF/WR](#) [YL50/D50/A/RF/WR](#)
[YL50/D50/R/RF/WR](#) [YA40/D/RN/WR](#)