

# Industrial Combination Signal 106 dB (A) / 5 Joule

## Series YL40



- > Max sound output 106 db (A) / 1 m
- > IP65 rated as standard
- > Strobe available in 5 Joules
- > 32 selectable tones meeting international regulations
- > Flame retardant ABS enclosure
- > Stainless steel fixings
- > 2 stage alarm
- > Independently selectable second stage
- > Lens available in six different colours
- > Low current consumption



14670E00

E5

**Yodalight range**  
Compact multi-purpose audible and visual signalling device designed for use in industrial applications.

### Approvals

| Certificates |  |
|--------------|--|
|              | UL 1638, UL 464  |
|              | BS EN 54-3 : 2001 incorporates amendment A 1 : 2002 + A2 : 2006  |
|              | BS EN 54-3 : 2001 incorporates amendment A 1 : 2002 + A2 : 2006  |
|              | EN54-3 : 2001 + A1 : 2002 + A2 : 2006<br>VdS 2504 (12/96), VdS 2203 (03/01), VdS 2344 (12/05), Cert No. G28702   |
|              | Marine Equipment Directive MED<br>Module B BSI/MED/A.1/3.53/590299, Module D BSI/MED/PC/590302   |
| Note         | <b>Information for European users of the YL40 combination device:</b><br>The optical device/beacon cannot be used as part of a fire alarm system. Only the sounder has been certified to the relevant EN54 standard. |

# Industrial Combination Signal 106 dB (A) / 5 Joule Series YL40



Selection Table

| Version   | Enclosure colour | Flash energy | Rated operational voltage | Lens colour | Order number         | Art. no. | Weight<br>kg |
|---|------------------|--------------|---------------------------|-------------|----------------------|----------|--------------|
| YL40 Sounder/Strobe combination, BS EN 54-3 + MED, standard devices | red normal (RN)  | 5 J          | 24 V DC                   | amber       | YL40/D50/A/RN/WR     | 204507   | 0.510        |
|   |                  |              |                           | red         | YL40/D50/R/RN/WR     | 204540   | 0.510        |
|   |                  |              |                           | green       | YL40/D50/G/RN/WR     | 211992   | 0.510        |
|   |                  |              |                           | opal        | YL40/D50/O/RN/WR     | 204527   | 0.510        |
|   |                  |              |                           | blue        | YL40/D50/B/RN/WR     | 204518   | 0.510        |
|   |                  |              |                           | clear       | YL40/D50/C/RN/WR     | 211993   | 0.510        |
|   |                  |              | 115 V AC                  | amber       | YL40/L50/A/RN/WR     | 204552   | 0.570        |
|   |                  |              |                           | red         | YL40/L50/R/RN/WR     | 204562   | 0.570        |
|   |                  |              |                           | green       | YL40/L50/G/RN/WR     | 204557   | 0.570        |
|   |                  |              |                           | opal        | YL40/L50/O/RN/WR     | 211994   | 0.570        |
|   |                  |              |                           | blue        | YL40/L50/B/RN/WR     | 211995   | 0.570        |
|   |                  |              |                           | clear       | YL40/L50/C/RN/WR     | 211996   | 0.570        |
|   |                  |              | 230 V AC                  | amber       | YL40/N50/A/RN/WR     | 204570   | 0.570        |
|   |                  |              |                           | red         | YL40/N50/R/RN/WR     | 204588   | 0.570        |
|   |                  |              |                           | green       | YL40/N50/G/RN/WR     | 211997   | 0.570        |
|   |                  |              |                           | opal        | YL40/N50/O/RN/WR     | 211998   | 0.570        |
|   |                  |              |                           | blue        | YL40/N50/B/RN/WR     | 211999   | 0.570        |
|   |                  |              |                           | clear       | YL40/N50/C/RN/WR     | 212000   | 0.570        |
| YL40 Sounder/Strobe combination, UL certification                   | red normal (RN)  | 5 J          | 24 V DC                   | amber       | YL40/D50/A/RN/UL     | 204595   | 0.510        |
|   |                  |              |                           | red         | YL40/D50/R/RN/UL     | 204599   | 0.510        |
|   |                  |              |                           | green       | YL40/D50/G/RN/UL     | 212001   | 0.510        |
|   |                  |              |                           | opal        | YL40/D50/O/RN/UL     | 212002   | 0.510        |
|   |                  |              |                           | blue        | YL40/D50/B/RN/UL     | 212003   | 0.510        |
|   |                  |              |                           | clear       | YL40/D50/C/RN/UL     | 212004   | 0.510        |
|   |                  |              | 115 V AC                  | amber       | YL40/L50/A/RN/UL     | 204600   | 0.570        |
|   |                  |              |                           | red         | YL40/L50/R/RN/UL     | 204788   | 0.570        |
|   |                  |              |                           | green       | YL40/L50/G/RN/UL     | 212005   | 0.570        |
|   |                  |              |                           | opal        | YL40/L50/O/RN/UL     | 212006   | 0.570        |
|   |                  |              |                           | blue        | YL40/L50/B/RN/UL     | 212007   | 0.570        |
|   |                  |              |                           | clear       | YL40/L50/C/RN/UL     | 212008   | 0.570        |
|   |                  |              | 230 V AC                  | amber       | YL40/N50/A/RN/UL     | 212009   | 0.570        |
|   |                  |              |                           | red         | YL40/N50/R/RN/UL     | 210155   | 0.570        |
|   |                  |              |                           | green       | YL40/N50/G/RN/UL     | 212010   | 0.570        |
|   |                  |              |                           | opal        | YL40/N50/O/RN/UL     | 212011   | 0.570        |
|   |                  |              |                           | blue        | YL40/N50/B/RN/UL     | 212012   | 0.570        |
|   |                  |              |                           | clear       | YL40/N50/C/RN/UL     | 212013   | 0.570        |
| YL40 Sounder/Strobe combination, VDS certification                  | red normal (RN)  | 5 J          | 24 V DC                   | amber       | YL40/D50/A/RN/WR/VDS | 212014   | 0.510        |
|   |                  |              |                           | red         | YL40/D50/R/RN/WR/VDS | 212015   | 0.510        |
|   |                  |              |                           | green       | YL40/D50/G/RN/WR/VDS | 212016   | 0.510        |
|   |                  |              |                           | opal        | YL40/D50/O/RN/WR/VDS | 212017   | 0.510        |
|   |                  |              |                           | blue        | YL40/D50/B/RN/WR/VDS | 212018   | 0.510        |
|   |                  |              |                           | clear       | YL40/D50/C/RN/WR/VDS | 212019   | 0.510        |

Note Other voltages and variants are available. Please contact your local sales office for more details

# Industrial Combination Signal 106 dB (A) / 5 Joule Series YL40



## Technical Data

### Electrical data

|                           |  |        |
|---------------------------|--|--------|
| Rated operational voltage | 24 or 48 V DC<br>115 or 230 V AC   |        |
| Current consumption       | 24 V DC  | 343 mA |
|                           | 48 V DC  | 187 mA |
|                           | 115 V AC   | 127 mA |
|                           | 230 V AC   | 118 mA |
|                           | at tone 1  |        |
| Operational parameters    | + or - 10% of nominal  |        |
| Line monitoring           | line monitoring excludes additional voltage options:<br>3 wire, 2 stage or 2 wire, single stage: monitor via reverse polarity<br>2 wire, 2 stage i.e. bi-polar inputs: monitor via threshold (applied voltage < 1 V)<br>monitor via reverse polarity |        |

### Acoustic data

|                 |                                   |
|-----------------|-----------------------------------|
| Volume          | max. 106 dB (A)                   |
| Volume control  | 18 dB (A) adjustment              |
| Sound stages    | 2, independantly selectable tones |
| Sound selection | via DIL switch                    |

### Luminous characteristics

|                 |                                      |                 |
|-----------------|--------------------------------------|-----------------|
| Light source    | Xenon flash tube                     |                 |
| Flash energy    | 5 J                                  |                 |
| Flash rate      | 1 per second                         |                 |
| Light intensity | Effective candela (cd)               | Candela Seconds |
|                 | clear                                | 72.10<br>14.44  |
|                 | red                                  | 8.92<br>1.186   |
|                 | amber                                | 25.52<br>5.111  |
|                 | blue                                 | 14.09<br>2.82   |
|                 | green                                | 29.70<br>5.946  |
|                 | opal                                 | 65.78<br>13.17  |
| Lens colour     | amber, red, green, opal, blue, clear |                 |

### Ambient conditions

|                             |                         |                |
|-----------------------------|-------------------------|----------------|
| Operating temperature range | Standard variants:      | -25 ... +55 °C |
|                             | VDS certified variants: | -25 ... +40 °C |
|                             | UL certified variants:  | -35 ... +66 °C |
| Storage temperature         | - 40 ... + 70 °C        |                |
| Max. relative humidity      | 93% ± 3 at 40 °C        |                |

### Mechanical data

|                      |                                |
|----------------------|--------------------------------|
| Material             |                                |
| Enclosure            | flame retardant ABS            |
| Lens cover           | polycarbonate, flame retardant |
| Assembly parts       | stainless steel fixings        |
| Labels               | polyester foil, adhesive       |
| Degree of protection | IP65 (IEC60529)                |

### Mounting / Installation

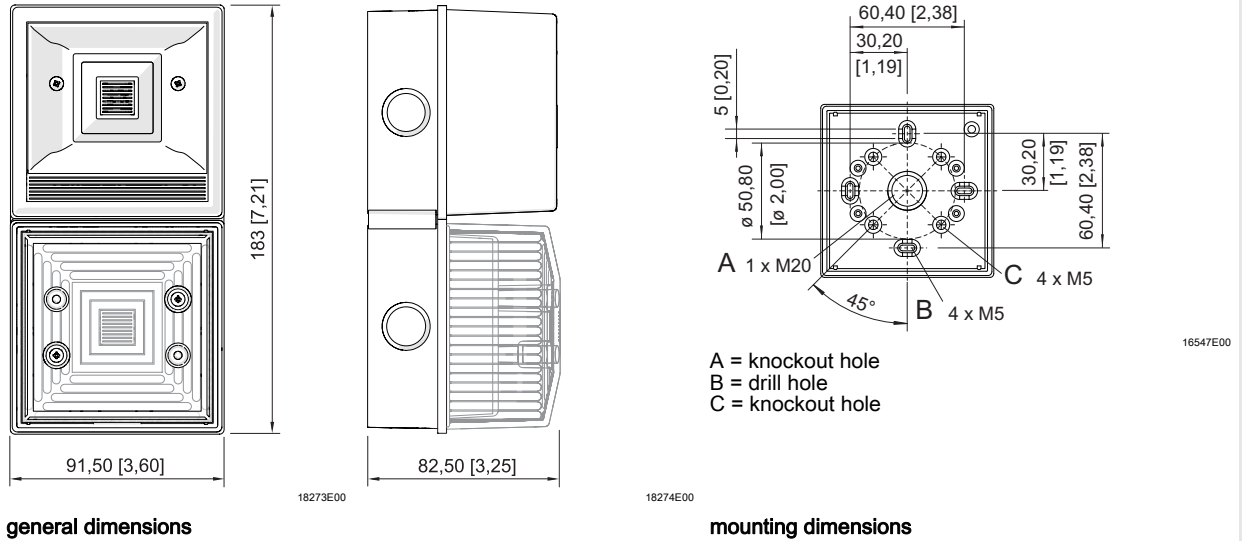
|            |   |
|------------|---|
| Assembly   | Should be mounted to a reasonably flat wall or bulkhead of suitable material using the internal fixing holes. The recommended fixing screws are dia. 4.5 mm max. x 20 mm long. To maintain the integrity of the weather seal, the cable entry must be fitted using a suitable sealed gland. |
| Connection | V DC variants separate input and output 2,5mm <sup>2</sup> terminals<br>V AC variants 2,5mm <sup>2</sup> terminals  |

E5

# Industrial Combination Signal 106 dB (A) / 5 Joule Series YL40



## Dimensional Drawings (All Dimensions in mm [inches]) - Subject to Alterations



We reserve the right to make alterations to the technical data, dimensions, weights, designs and products available without notice. The illustrations cannot be considered binding.

## **X-ON Electronics**

Largest Supplier of Electrical and Electronic Components

*Click to view similar products for [Clifford & Snell](#) manufacturer:*

Other Similar products are found below :

[204330](#) [204434](#) [204436](#) [204540](#) [204570](#) [204646](#) [204678](#) [204717](#) [204720](#) [204735](#) [204738](#) [YA50/N/RF/WR](#) [207067](#) [204994](#) [204364](#)  
[204407](#) [204507](#) [204835](#) [204697](#) [YL40/D50/R/RN/WR](#) [FL40/D50/R/RN](#) [YA50/D/RF/WR](#) [205101](#) [204955](#) [205026](#) [205047](#) [204881](#) [204588](#)  
[YL40/N50/A/RN/WR](#) [204382](#) [YL40/N50/R/RN/WR](#) [204815](#) [FL60/C/D50/A/EU](#) [YL60/C/D50/R/EU](#) [FL40/D50/A/RN](#) [YL40/D50/A/RN/WR](#)  
[YL50/N50/R/RF/WR](#) [YA30/D/RF/WR](#) [YA30/N/RF/WR](#) [YL50/N50/A/RF/WR](#) [YL50/D50/A/RF/WR](#) [YL50/L50/R/RF/WR](#)  
[YL50/D50/R/RF/WR](#) [YA40/D/RN/WR](#)