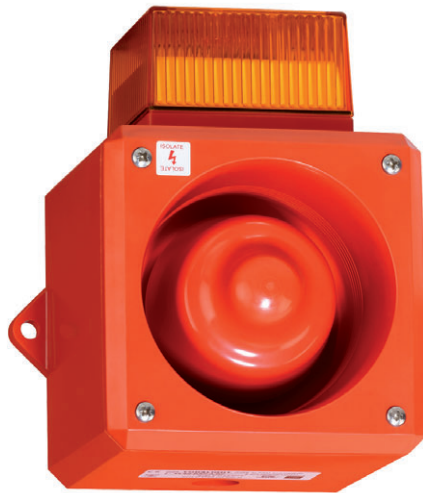


Industrial Combination Signal 110 dB (A) / 5 Joule Series YL50



- > Max sound output 110 db (A) / 1 m
- > IP65 rated as standard
- > Strobe available in 5 Joules
- > 32 selectable tones meeting international regulations
- > Flame retardant ABS enclosure
- > Stainless steel fixings
- > 2 stage alarm
- > Independently selectable second stage
- > Lens available in six different colours
- > Low current consumption



05517E00

E5

Yodalight range
Multi-purpose audible and visual signalling device designed for use in industrial applications.

Approvals

Certificates		
	UL 1638, UL 464	
	BS EN 54-3 : 2001 incorporates amendment A 1 : 2002 + A2 : 2006	
	BS EN 54-3 : 2001 incorporates amendment A 1 : 2002 +A2 : 2006	
	EN54-3 : 2001 + A1 : 2002 + A2 : 2006 VdS 2504 (12/96), VdS 2203 (03/01), VdS 2344 (12/05), Cert No. G28702	
	Marine Equipment Directive MED Module B BSI/MED/A.1/3.53/590299, Module D BSI/MED/PC/590302	
Note	Information for European users of the YL40 combination device: The optical device/beacon cannot be used as part of a fire alarm system. Only the sounder has been certified to the relevant EN54 standard.	

Industrial Combination Signal 110 dB (A) / 5 Joule Series YL50



Selection Table

Version	Enclosure colour	Flash energy	Rated operational voltage	Lens colour	Order number	Art. no.	Weight kg
YL50 Sounder/Strobe combination, BS EN 54-3 + MED, standard devices	red flame (RF)	5 J	24 V DC	amber	YL50/D50/A/RF/WR	204815	1.010
				red	YL50/D50/R/RF/WR	204835	1.010
				green	YL50/D50/G/RF/WR	204825	1.010
				opal	YL50/D50/O/RF/WR	212038	1.010
				blue	YL50/D50/B/RF/WR	204821	1.010
				clear	YL50/D50/C/RF/WR	204823	1.010
			115 V AC	amber	YL50/L50/A/RF/WR	204609	1.090
				red	YL50/L50/R/RF/WR	204619	1.010
				green	YL50/L50/G/RF/WR	212039	1.090
				opal	YL50/L50/O/RF/WR	212040	1.010
				blue	YL50/L50/B/RF/WR	204613	1.090
				clear	YL50/L50/C/RF/WR	212041	1.010
			230 V AC	amber	YL50/N50/A/RF/WR	204627	1.090
				red	YL50/N50/R/RF/WR	204646	1.010
				green	YL50/N50/G/RF/WR	212042	1.010
				opal	YL50/N50/O/RF/WR	204639	1.090
				blue	YL50/N50/B/RF/WR	204633	1.090
				clear	YL50/N50/C/RF/WR	204635	1.090
YL50 Sounder/Strobe combination, UL certification	red flame (RF)	5 J	24 V DC	amber	YL50/D50/A/RF/UL	204656	1.010
				red	YL50/D50/R/RF/UL	204660	1.010
				green	YL50/D50/G/RF/UL	209662	1.010
				opal	YL50/D50/O/RF/UL	212043	1.010
				blue	YL50/D50/B/RF/UL	204658	1.010
				clear	YL50/D50/C/RF/UL	204659	1.010
			115 V AC	amber	YL50/L50/A/RF/UL	204662	1.090
				red	YL50/L50/R/RF/UL	204663	1.010
				green	YL50/L50/G/RF/UL	212044	1.010
				opal	YL50/L50/O/RF/UL	212045	1.010
				blue	YL50/L50/B/RF/UL	212046	1.010
				clear	YL50/L50/C/RF/UL	205456	1.090
			230 V AC	amber	YL50/N50/A/RF/UL	204664	1.090
				red	YL50/N50/R/RF/UL	204666	1.010
				green	YL50/N50/G/RF/UL	209669	1.010
				opal	YL50/N50/O/RF/UL	212047	1.010
				blue	YL50/N50/B/RF/UL	209667	1.010
				clear	YL50/N50/C/RF/UL	204665	1.090
YL50 Sounder/Strobe combination, VDS certification	red flame (RF)	5 J	24 V DC	amber	YL50/D50/A/RF/WR/VDS	212048	1.010
				red	YL50/D50/R/RF/WR/VDS	212049	1.010
				green	YL50/D50/G/RF/WR/VDS	212050	1.010
				opal	YL50/D50/O/RF/WR/VDS	212051	1.010
				blue	YL50/D50/B/RF/WR/VDS	212052	1.010
				clear	YL50/D50/C/RF/WR/VDS	212053	1.010

Note Other voltages and variants are available. Please contact your local sales office for more details

Industrial Combination Signal 110 dB (A) / 5 Joule Series YL50



Technical Data

Electrical data

Rated operational voltage	24 or 48 V DC 115 or 230 V AC	
Current consumption	24 V DC	345 mA
	115 V AC	123 mA
	230 V AC	113 mA
	at tone 1	
Operational parameters	+ or - 10% of nominal	
Line monitoring	line monitoring excludes additional voltage options: 3 wire, 2 stage or 2 wire, single stage: monitor via reverse polarity 2 wire, 2 stage i.e. bi-polar inputs: monitor via threshold (applied voltage < 1 V)	

Acoustic data

Volume	max. 110 dB (A)
Volume control	18 dB (A) adjustment
Sound stages	2, independantly selectable tones
Sound selection	via DIL switch

Luminous characteristics

Light source	Xenon flash tube	
Flash energy	5 J	
Flash rate	1 per second	
Light intensity	Effective candela (cd)	Candela Seconds
	clear	72.10 14.44
	red	8.92 1.186
	amber	25.52 5.111
	blue	14.09 2.82
	green	29.70 5.946
	opal	65.78 13.17
Lens colour	amber, red, green, opal, blue, clear	

Ambient conditions

Operating temperature range	Standard variants: -25 ... +55 °C VDS certified variants: -25 ... +40 °C UL certified variants: -35 ... +66 °C
Storage temperature	- 40 ... + 70 °C
Max. relative humidity	93% ± 3 at 40 °C

Mechanical data

Material	
Enclosure	flame retardant ABS
Lens cover	polycarbonate, flame retardant
Assembly parts	stainless steel fixings
Labels	polyester foil, adhesive
Degree of protection	IP65 (IEC60529)

Mounting / Installation

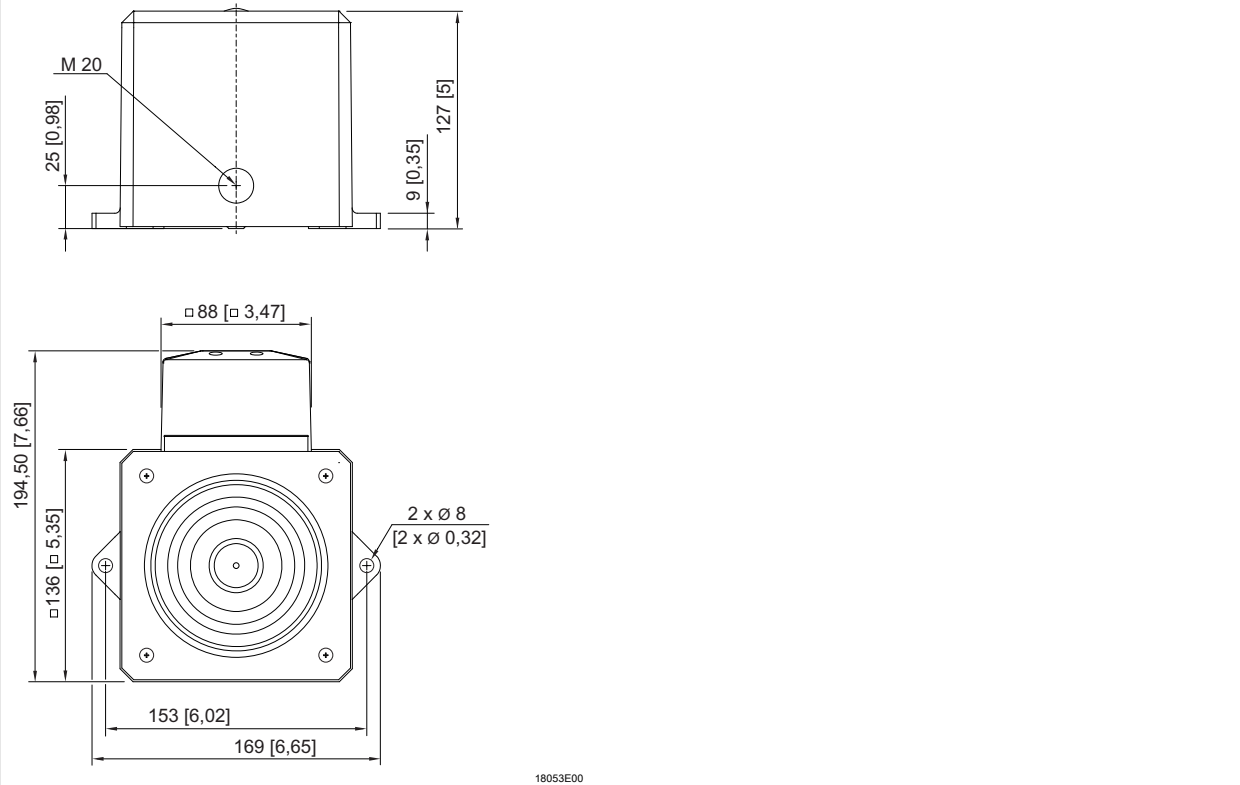
Assembly	Should be mounted to a reasonably flat wall or bulkhead of suitable material using the lugs projecting from the side of the case. The lugs are bored 8 mm on 153 mm centres. The minimum recommended length of fixing screws is 25 mm. To maintain the integrity of the weather seal, the cable entry must be fitted using a suitable sealed gland.
Connection	V DC variants separate input and output 2,5mm ² terminals V AC variants 2,5mm ² terminals

E5

Industrial Combination Signal 110 dB (A) / 5 Joule Series YL50



Dimensional Drawings (All Dimensions in mm [inches]) - Subject to Alterations



We reserve the right to make alterations to the technical data, dimensions, weights, designs and products available without notice. The illustrations cannot be considered binding.

X-ON Electronics

Largest Supplier of Electrical and Electronic Components

Click to view similar products for [Clifford & Snell](#) manufacturer:

Other Similar products are found below :

[204330](#) [204364](#) [204407](#) [204434](#) [204436](#) [204507](#) [204570](#) [204588](#) [204646](#) [204678](#) [204697](#) [204717](#) [204720](#) [204738](#) [204815](#) [204881](#)
[204955](#) [204994](#) [205026](#) [205047](#) [205101](#) [FL40/D50/R/RN](#) [FL60/C/D50/A/EU](#) [YA30/N/RF/WR](#) [YA40/D/RN/WR](#) [YA50/N/RF/WR](#)
[YL40/D50/A/RN/WR](#) [YL40/D50/R/RN/WR](#) [YL40/N50/A/RN/WR](#) [YL40/N50/R/RN/WR](#) [YL50/D50/A/RF/WR](#) [YL50/D50/R/RF/WR](#)
[YL50/L50/R/RF/WR](#) [YL50/N50/A/RF/WR](#) [YL50/N50/R/RF/WR](#) [YL60/C/D50/R/EU](#)