

Intrinsically Safe Combination Signal - 105 dB (A) / LED Beacon Series YL5IS



- > Max sound output 105 dB (A) / 1 m
- > 8 LED array flashing beacon
- > 32 selectable tones meeting international regulations
- > Sound selection via DIL switch
- > Stainless steel fixings
- > Monitoring facility
- > Flame retardant ABS enclosure



05517E00

E5

Yodalex range

Combination audible and visual signal designed for use in hazardous environments. This product series can be powered using a combined supply through a single barrier or the sounder and beacon can be wired independently using two single barriers or one dual channel barrier.

Zone	ATEX					
	0	1	2	20	21	22
For use in	x	x	x	x	x	x

Explosion Protection

Europe (ATEX)

Gas and dust	Baseefa08ATEX0194X Ⓜ II 1 G Ex ia IIC T4 Ga Ⓜ II 1 D Ex ia IIIC T190°C Da
--------------	---

Certifications and certificates

Certificates	ATEX, India (PESO)
--------------	--------------------

Intrinsically Safe Combination Signal - 105 dB (A) / LED Beacon Series YL5IS



Selection Table

Version	Enclosure colour	Safety barrier	Temperature class	Lens colour	Order number	Art. no.	Weight kg
YL5IS Sounder/Strobe, ATEX certification, standard devices	red flame (RF)	ISC	T4	amber	YL5/ISC/T4/A/RF	204795	1.090
				red	YL5/ISC/T4/R/RF	204796	1.090
				green	YL5/ISC/T4/G/RF	212415	1.090
				opal	YL5/ISC/T4/O/RF	212416	1.090
				blue	YL5/ISC/T4/B/RF	212417	1.090
				klar	YL5/ISC/T4/C/RF	212418	1.090

Technical Data

Electrical data

Rated operational voltage	16.2 ... 26.4 V			
Current consumption	Power supply	Certified barrier / isolator parameters	Current consumption	Sound output
	24 V DC	28 V / 300 Ω	24 mA	100 dB (A) / 1 m
	18 V DC	28 V / 300 Ω	33 mA	97 dB (A) / 1 m
	*) combined supply			
Certified input parameters				
Independent wiring		beacon	sounder	
	$U_i =$	30 V	30 V	
	$I_i =$	200 mA	133 mA	
	$P_i =$	0.7 W	0.7 W	
	$C_i =$	0	0	
	$L_i =$	0	0	
Combined supply	$U_i =$	30 V		
	$I_i =$	133 mA		
	$P_i =$	0.7 W		
	$C_i =$	0		
	$L_i =$	0		
Line monitoring	yes			

Acoustic data

Volume	max. 105 dB(A) / 1 m
Volume control	15 dB (A) adjustment (T4 models only)
Sound stages	2
Sound selection	via DIL-switch

Luminous characteristics

Light source	8 array LED
Flash rate	1/s
Lens colour	amber, red, green, opal, blue, clear

Ambient conditions

Operating temperature range	-25 ... +40 °C
Storage temperature	-40 ... +70 °C
Max. relative humidity	95 % at 40 °C

Mechanical data

Cable entries	1 x M20
Material	
Enclosure	ABS, flame retardant
Lens	polycarbonate, flame retardant
Assembly parts	stainless steel fixings
Labels	polyester foil, adhesive
Degree of protection	IP65 acc. IEC 60529




Mounting / Installation

Mounting	Should be mounted to a reasonably flat wall or bulkhead of suitable material using the lugs projecting from the side of the case. The lugs are bored 8 mm on 153 mm centres. The minimum recommended length of fixing screws is 25 mm. To maintain the integrity of the weather seal, the cable entry must be fitted using a suitable sealed gland.
Connection	Independent wiring or combined supply 2.5 mm ² terminals

Intrinsically Safe Combination Signal - 105 dB (A) / LED Beacon Series YL5IS

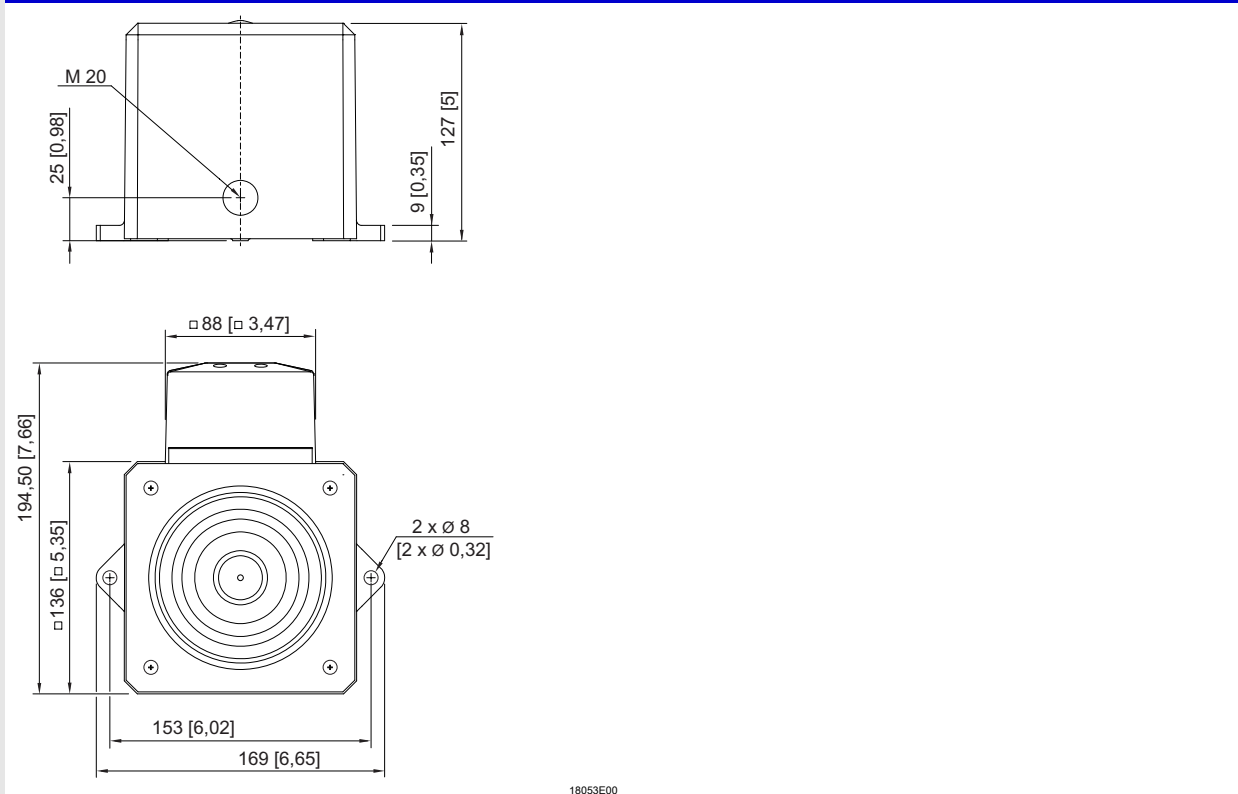


Accessories and Spare Parts

Designation	Figure	Description	Order number	Art. no.	WebCode
Safety barrier		single channel	9001/01-280-085-101	158351	9001A
		dual channel	9002/11-280-186-001	158848	9002A
Galvanic isolator		9176/1x-15-xx (1 channel) single channel	9176/10-15-00s	160472	9176A
		9176/2x-15-xx (2 channels) dual channel	9176/20-15-00s	165567	9176A
Cable gland		8161/8 Ex i (black with blue cap nut)	8161/8-M20-1304	239164	8161A
		8161/8-M20-1304 4 ... 13 mm ²			

*) Purchase order quantity in [pieces], the delivery quantity is automatically rounded to the delivery lot.

Dimensional Drawings (All Dimensions in mm [inches]) - Subject to Alterations



We reserve the right to make alterations to the technical data, dimensions, weights, designs and products available without notice. The illustrations cannot be considered binding.

E5

X-ON Electronics

Largest Supplier of Electrical and Electronic Components

Click to view similar products for [Clifford & Snell](#) manufacturer:

Other Similar products are found below :

[204330](#) [204364](#) [204407](#) [204434](#) [204436](#) [204507](#) [204570](#) [204588](#) [204646](#) [204678](#) [204697](#) [204717](#) [204720](#) [204738](#) [204815](#) [204881](#)
[204955](#) [204994](#) [205026](#) [205047](#) [205101](#) [FL40/D50/R/RN](#) [FL60/C/D50/A/EU](#) [YA30/N/RF/WR](#) [YA40/D/RN/WR](#) [YA50/D/RF/WR](#)
[YA50/N/RF/WR](#) [YL40/D50/A/RN/WR](#) [YL40/D50/R/RN/WR](#) [YL40/N50/A/RN/WR](#) [YL40/N50/R/RN/WR](#) [YL50/D50/A/RF/WR](#)
[YL50/D50/R/RF/WR](#) [YL50/L50/R/RF/WR](#) [YL50/N50/A/RF/WR](#) [YL50/N50/R/RF/WR](#) [YL60/C/D50/R/EU](#)