

LED Signalleuchten LED Panel Mount Indicators

EINBAUDURCHMESSER
MOUNTING HOLE

6 mm

8 mm

12 mm

14 mm

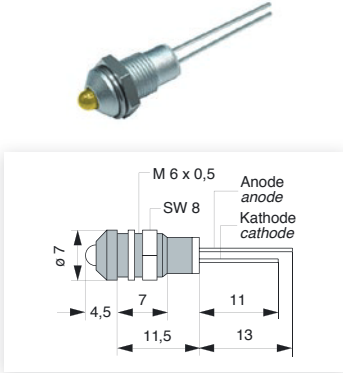
16 mm

19 mm

22 mm

ZUBEHÖR
ACCESSORIES

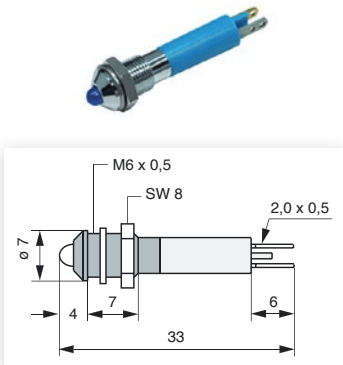
Außenreflektor ohne Vorwiderstand IP40 / *Prominent (exterior) bezel without resistor IP40*



Part Number	Colour	Typ. Forward Voltage	Typ. Current	Typ. Lumi. Intensity
Hochglanzverchromter Metallreflektor / Satin chrome bezel				
19020003	red	2,0V DC	–	13mcd at 20mA
19020001	green	2,2V DC	–	8mcd at 20mA
19020002	yellow	2,1V DC	–	8mcd at 20mA
19020007	blue	4,5V DC	–	40mcd at 20mcd
1902000W3D	white	3,2V DC	–	3000mcd at 20mcd
Schwarzverchromter Metallreflektor / Black chrome bezel				
19021003	red	2,0V DC	–	13mcd at 20mA
19021001	green	2,2V DC	–	8mcd at 20mA
19021002	yellow	2,1V DC	–	8mcd at 20mA
19021007	blue	4,5V DC	–	40mcd at 20mcd
1902100W3D	white	3,2V DC	–	3000mcd at 20mcd
Mattverchromter Metallreflektor / Matt chrome bezel				
19022003	red	2,0V DC	–	13mcd at 20mA
19022001	green	2,2V DC	–	8mcd at 20mA
19022002	yellow	2,1V DC	–	8mcd at 20mA
19022007	blue	4,5V DC	–	40mcd at 20mcd
1902200W3D	white	3,2V DC	–	3000mcd at 20mcd

Maximale Frontplattenstärke 5,5mm / Maximum panel thickness 5.5mm

Außenreflektor mit Vorwiderstand IP40 / *Prominent (exterior) bezel with resistor IP40*



Part Number	Colour	Voltage	Typ. Current	Typ. Lumi. Intensity
Hochglanzverchromter Metallreflektor / Satin chrome bezel				
19020253	red	12V DC	20mA DC	13mcd
19020251	green	12V DC	20mA DC	8mcd
19020252	yellow	12V DC	20mA DC	8mcd
19020257	blue	12V DC	18mA DC	36mcd
1902025W	white	12V DC	6mA DC	900mcd
19020353	red	24V DC	15mA DC	8mcd
19020351	green	24V DC	15mA DC	6mcd
19020352	yellow	24V DC	15mA DC	6mcd
19020357	blue	24V DC	15mA DC	26mcd
1902035W	white	24V DC	7mA DC	1050mcd
Schwarzverchromter Metallreflektor / Black chrome bezel				
19021253	red	12V DC	20mA DC	13mcd
19021251	green	12V DC	20mA DC	8mcd
19021252	yellow	12V DC	20mA DC	8mcd
19021257	blue	12V DC	18mA DC	36mcd
1902125W	white	12V DC	6mA DC	900mcd
19021353	red	24V DC	15mA DC	8mcd
19021351	green	24V DC	15mA DC	6mcd
19021352	yellow	24V DC	15mA DC	6mcd
19021357	blue	24V DC	15mA DC	26mcd
1902135W	white	24V DC	7mA DC	1050mcd
Mattverchromter Metallreflektor / Matt chrome bezel				
19022253	red	12V DC	20mA DC	13mcd
19022251	green	12V DC	20mA DC	8mcd
19022252	yellow	12V DC	20mA DC	8mcd
19022257	blue	12V DC	18mA DC	36mcd
1902225W	white	12V DC	6mA DC	900mcd
19022353	red	24V DC	15mA DC	8mcd
19022351	green	24V DC	15mA DC	6mcd
19022352	yellow	24V DC	15mA DC	6mcd
19022357	blue	24V DC	15mA DC	26mcd
1902235W	white	24V DC	7mA DC	1050mcd

Maximale Frontplattenstärke 5,5mm / Maximum panel thickness 5.5mm
Andere Spannungen auf Anfrage / Other voltages on request

X-ON Electronics

Largest Supplier of Electrical and Electronic Components

Click to view similar products for [LED Panel Mount Indicators](#) category:

Click to view products by [CML INNOVATIVE TECHNOLOGIES](#) manufacturer:

Other Similar products are found below :

[821-0331-503](#) [FL2870C8R](#) [FL2950WL7B](#) [FL2950WL8G](#) [FL589WL8R](#) [FL67C8R](#) [H8630FBBA3](#) [NL1041WL3A](#) [NL177WL3G](#)
[NL2950BWL3G](#) [NL589WL2R](#) [NL67C2C](#) [NL67C3R](#) [C430ABWC2](#) [PB22BM41K](#) [PB22SIM40Y](#) [PB22SKRS31KC](#) [L32R-R2-2311](#) [L3353-](#)
[MWRG](#) [L39UR-R24-2111](#) [L58D-G2-W](#) [L58D-Y2-W](#) [L59D-R12-W](#) [L59UD-R12-W](#) [L625DG](#) [L625DR](#) [LE177WL39007](#) [LE2821H5G](#)
[LH1048BSWL3702](#) [LH1048BWL3702](#) [LH382A](#) [LH677G](#) [LHM628A](#) [FL276WL7R](#) [FL2950WL7R](#) [FL2950WL8R](#) [FL2950WL8R-12](#)
[FL2951WL8G](#) [FL2951WL8R](#) [FL67C7R](#) [FL67WL8G](#) [3S6/5130V](#) [C430AABG2](#) [VL1CK0P600](#) [VL1CKGP600](#) [L32R-G2-2312](#) [L39UR-G12-](#)
[2112](#) [L39UR-R2-2111](#) [L58D-G12-W](#) [L58DP-Y2-W](#)