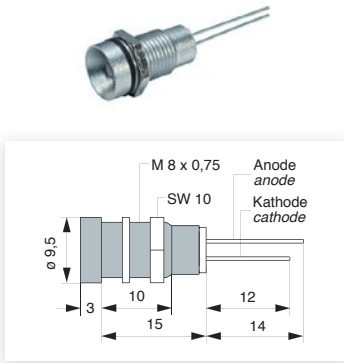


LED Signalleuchten LED Panel Mount Indicators

EINBAUDURCHMESSER
MOUNTING HOLE

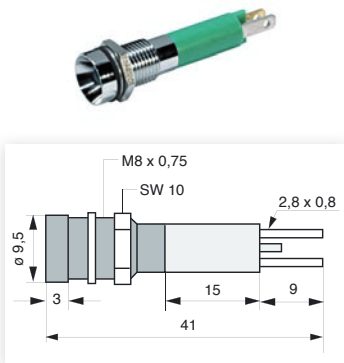
Innenreflektor ohne Vorwiderstand IP40 / Recessed (interior) bezel without resistor IP40



Part Number	Colour	Typ. Forward Voltage	Typ. Current	Typ. Lumi. Intensity
Hochglanzverchromter Metallreflektor / Satin chrome bezel				
19050003	red	2,0V DC	–	80mcd at 20mA
19050001	green	2,2V DC	–	32mcd at 20mA
19050002	yellow	2,1V DC	–	32mcd at 20mA
19050007	blue	4,5V DC	–	60mcd at 20mcd
1905000W5D	white	3,2V DC	–	2000mcd at 20mcd
Schwarzverchromter Metallreflektor / Black chrome bezel				
19051003	red	2,0V DC	–	80mcd at 20mA
19051001	green	2,2V DC	–	32mcd at 20mA
19051002	yellow	2,1V DC	–	32mcd at 20mA
19051007	blue	4,5V DC	–	60mcd at 20mcd
1905100W5D	white	3,2V DC	–	2000mcd at 20mcd
Mattverchromter Metallreflektor / Matt chrome bezel				
19052003	red	2,0V DC	–	80mcd at 20mA
19052001	green	2,2V DC	–	32mcd at 20mA
19052002	yellow	2,1V DC	–	32mcd at 20mA
19052007	blue	4,5V DC	–	60mcd at 20mcd
1905200W5D	white	3,2V DC	–	2000mcd at 20mcd

Maximale Frontplattenstärke 8mm / Maximum panel thickness 8mm

Innenreflektor mit Vorwiderstand IP67 / Recessed (interior) bezel with resistor IP67



Part Number	Colour	Voltage	Typ. Current	Typ. Lumi. Intensity
Hochglanzverchromter Metallreflektor / Satin chrome bezel				
19050253	red	12V DC	20mA DC	80mcd
19050251	green	12V DC	20mA DC	32mcd
19050252	yellow	12V DC	20mA DC	32mcd
19050257	blue	12V DC	20mA DC	60mcd
19050353	red	24V DC	20mA DC	80mcd
19050351	green	24V DC	20mA DC	32mcd
19050352	yellow	24V DC	20mA DC	32mcd
19050357	blue	24V DC	20mA DC	60mcd
Schwarzverchromter Metallreflektor / Black chrome bezel				
19051253	red	12V DC	20mA DC	80mcd
19051251	green	12V DC	20mA DC	32mcd
19051252	yellow	12V DC	20mA DC	32mcd
19051257	blue	12V DC	20mA DC	60mcd
19051353	red	24V DC	20mA DC	80mcd
19051351	green	24V DC	20mA DC	32mcd
19051352	yellow	24V DC	20mA DC	32mcd
19051357	blue	24V DC	20mA DC	60mcd
Mattverchromter Metallreflektor / Matt chrome bezel				
19052253	red	12V DC	20mA DC	80mcd
19052251	green	12V DC	20mA DC	32mcd
19052252	yellow	12V DC	20mA DC	32mcd
19052257	blue	12V DC	20mA DC	60mcd
19052353	red	24V DC	20mA DC	80mcd
19052351	green	24V DC	20mA DC	32mcd
19052352	yellow	24V DC	20mA DC	32mcd
19052357	blue	24V DC	20mA DC	60mcd

Maximale Frontplattenstärke 8mm / Maximum panel thickness 8mm

Andere Spannungen auf Anfrage / Other voltages on request

6 mm

8 mm

12 mm

14 mm

16 mm

19 mm

22 mm

ZUBEHÖR
ACCESSORIES

X-ON Electronics

Largest Supplier of Electrical and Electronic Components

Click to view similar products for [LED Panel Mount Indicators](#) category:

Click to view products by [CML INNOVATIVE TECHNOLOGIES](#) manufacturer:

Other Similar products are found below :

[821-0331-503](#) [FL2870C8R](#) [FL2950WL7B](#) [FL2950WL8G](#) [FL589WL8R](#) [FL67C8R](#) [H8630FBBA3](#) [NL1041WL3A](#) [NL177WL3G](#)
[NL2950BWL3G](#) [NL589WL2R](#) [NL67C2C](#) [NL67C3R](#) [C430ABWC2](#) [PB22BM41K](#) [PB22SIM40Y](#) [PB22SKRS31KC](#) [L32R-R2-2311](#) [L3353-](#)
[MWRG](#) [L39UR-R24-2111](#) [L58D-G2-W](#) [L58D-Y2-W](#) [L59D-R12-W](#) [L59UD-R12-W](#) [L625DG](#) [L625DR](#) [LE177WL39007](#) [LE2821H5G](#)
[LH1048BSWL3702](#) [LH1048BWL3702](#) [LH382A](#) [LH677G](#) [LHM628A](#) [FL276WL7R](#) [FL2950WL7R](#) [FL2950WL8R](#) [FL2950WL8R-12](#)
[FL2951WL8G](#) [FL2951WL8R](#) [FL67C7R](#) [FL67WL8G](#) [3S6/5130V](#) [C430AABG2](#) [VL1CK0P600](#) [VL1CKGP600](#) [L32R-G2-2312](#) [L39UR-G12-](#)
[2112](#) [L39UR-R2-2111](#) [L58D-G12-W](#) [L58DP-Y2-W](#)