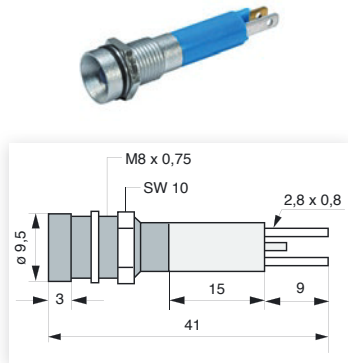


LED Signalleuchten LED Panel Mount Indicators

EINBAUDURCHMESSER
MOUNTING HOLE

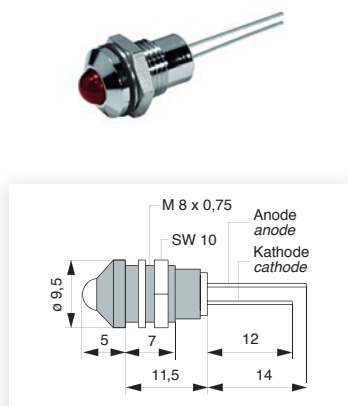
Innenreflektor Sonnenlicht tauglich mit Vorwiderstand und Einweggleichrichter IP67 / Recessed (interior) bezel sunlight visible with resistor and half-wave rectifier IP67



Part Number	Colour	Voltage	Typ. Current	Typ. Lumi. Intensity
Hochglanzverchromter Metallreflektor / Satin chrome bezel				
19090250	red	12V AC/DC	9mA AC / 17mA DC	1200mcd
19090255	green	12V AC/DC	9mA AC / 17mA DC	1300mcd
19090252	yellow	12V AC/DC	9mA AC / 17mA DC	1100mcd
19090257	blue	12V AC/DC	9mA AC / 17mA DC	600mcd
1909025W	white	12V AC/DC	3mA AC / 6mA DC	1000mcd
19090350	red	24V AC/DC	9mA AC / 17mA DC	1200mcd
19090355	green	24V AC/DC	9mA AC / 17mA DC	1300mcd
19090352	yellow	24V AC/DC	9mA AC / 17mA DC	1100mcd
19090357	blue	24V AC/DC	9mA AC / 17mA DC	600mcd
1909035W	white	24V AC/DC	3mA AC / 6mA DC	1000mcd
Schwarzverchromter Metallreflektor / Black chrome bezel				
19091250	red	12V AC/DC	9mA AC / 17mA DC	1200mcd
19091255	green	12V AC/DC	9mA AC / 17mA DC	1300mcd
19091252	yellow	12V AC/DC	9mA AC / 17mA DC	1100mcd
19091257	blue	12V AC/DC	9mA AC / 17mA DC	600mcd
1909125W	white	12V AC/DC	3mA AC / 6mA DC	1000mcd
19091350	red	24V AC/DC	9mA AC / 17mA DC	1200mcd
19091355	green	24V AC/DC	9mA AC / 17mA DC	1300mcd
19091352	yellow	24V AC/DC	9mA AC / 17mA DC	1100mcd
19091357	blue	24V AC/DC	9mA AC / 17mA DC	600mcd
1909135W	white	24V AC/DC	3mA AC / 6mA DC	1000mcd
Mattverchromter Metallreflektor / Matt chrome bezel				
19092250	red	12V AC/DC	9mA AC / 17mA DC	1200mcd
19092255	green	12V AC/DC	9mA AC / 17mA DC	1300mcd
19092252	yellow	12V AC/DC	9mA AC / 17mA DC	1100mcd
19092257	blue	12V AC/DC	9mA AC / 17mA DC	600mcd
1909225W	white	12V AC/DC	3mA AC / 6mA DC	1000mcd
19092350	red	24V AC/DC	9mA AC / 17mA DC	1200mcd
19092355	green	24V AC/DC	9mA AC / 17mA DC	1300mcd
19092352	yellow	24V AC/DC	9mA AC / 17mA DC	1100mcd
19092357	blue	24V AC/DC	9mA AC / 17mA DC	600mcd
1909235W	white	24V AC/DC	3mA AC / 6mA DC	1000mcd

Lichtstärkeangaben der verwendeten LED bei DC-Betrieb / Luminous intensity data of the LED on direct voltage
 Maximale Frontplattenstärke 8mm / Maximum panel thickness 8mm
 Andere Spannungen auf Anfrage / Other voltages on request

Außenreflektor blinkend IP40 / Prominent (exterior) bezel flashing IP40



Part Number	Colour	Voltage	Typ. Current	Typ. Lumi. Intensity
Hochglanzverchromter Metallreflektor / Satin chrome bezel				
19060003	red	3,5-13V DC	38-56mA DC	80mcd at 20mA
19060001	green	3,5-13V DC	38-56mA DC	32mcd at 20mA
19060002	yellow	3,5-13V DC	38-56mA DC	32mcd at 20mA
Schwarzverchromter Metallreflektor / Black chrome bezel				
19061003	red	3,5-13V DC	38-56mA DC	80mcd at 20mA
19061001	green	3,5-13V DC	38-56mA DC	32mcd at 20mA
19061002	yellow	3,5-13V DC	38-56mA DC	32mcd at 20mA
Mattverchromter Metallreflektor / Matt chrome bezel				
19062003	red	3,5-13V DC	38-56mA DC	80mcd at 20mA
19062001	green	3,5-13V DC	38-56mA DC	32mcd at 20mA
19062002	yellow	3,5-13V DC	38-56mA DC	32mcd at 20mA

Maximale Frontplattenstärke 5,5mm / Maximum panel thickness 5.5mm

ZUBEHÖR
ACCESSORIES

X-ON Electronics

Largest Supplier of Electrical and Electronic Components

Click to view similar products for [LED Panel Mount Indicators](#) category:

Click to view products by [CML INNOVATIVE TECHNOLOGIES](#) manufacturer:

Other Similar products are found below :

[821-0331-503](#) [FL2870C8R](#) [FL2950WL7B](#) [FL2950WL8G](#) [FL589WL8R](#) [FL67C8R](#) [H8630FBBA3](#) [NL1041WL3A](#) [NL177WL3G](#)
[NL2950BWL3G](#) [NL589WL2R](#) [NL67C2C](#) [NL67C3R](#) [C430ABWC2](#) [PB22BM41K](#) [PB22SIM40Y](#) [PB22SKRS31KC](#) [L32R-R2-2311](#) [L3353-](#)
[MWRG](#) [L39UR-R24-2111](#) [L58D-G2-W](#) [L58D-Y2-W](#) [L59D-R12-W](#) [L59UD-R12-W](#) [L625DG](#) [L625DR](#) [LE177WL39007](#) [LE2821H5G](#)
[LH1048BSWL3702](#) [LH1048BWL3702](#) [LH382A](#) [LH677G](#) [LHM628A](#) [FL276WL7R](#) [FL2950WL7R](#) [FL2950WL8R](#) [FL2950WL8R-12](#)
[FL2951WL8G](#) [FL2951WL8R](#) [FL67C7R](#) [FL67WL8G](#) [3S6/5130V](#) [C430AABG2](#) [VL1CK0P600](#) [VL1CKGP600](#) [L32R-G2-2312](#) [L39UR-G12-](#)
[2112](#) [L39UR-R2-2111](#) [L58D-G12-W](#) [L58DP-Y2-W](#)