

Marine AIS data processor designed for Limiter-Discriminator based RF systems

Features:

- Half-Duplex GMSK and FSK Modem
- AIS and DSC Data Format
- Optimum Co-channel and Adjacent-channel Performance
- Flexible Channel Configuration:
 - Two Simultaneous Rx
 - One Tx
- Low-Power (3.0V to 3.6V) Operation
- Limiter-Discriminator Rx Interface
- Flexible Tx Interface: I/Q or Two-point Modulation
- Auxiliary ADC and DAC Functions
 - 4 x (10-bit) DACs
 - 2 x (10-bit) ADCs

Support for:

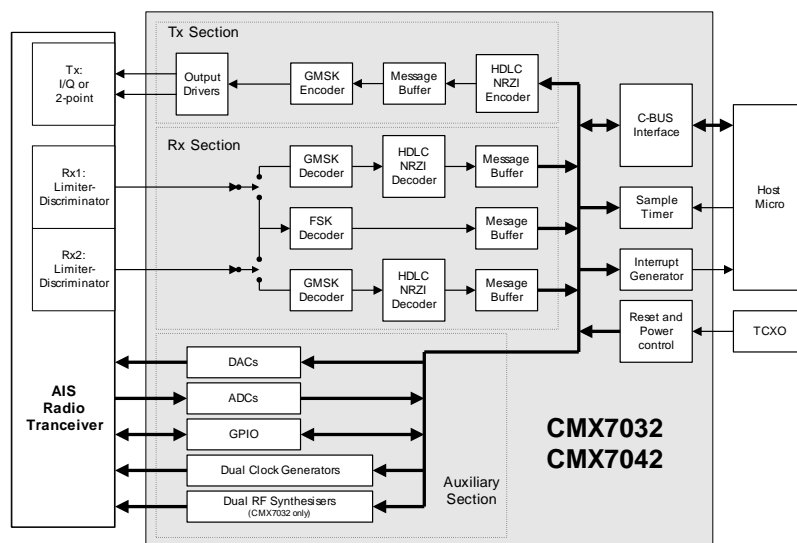
Self Organising Time Division Multiple Access (SOTDMA)

Carrier-Sensing Channel Access (CSTDMA) Operation

- Low Profile 64 or 48 pad Leadless VQFN and 64 or 48 pin LQFP Packages
- Configurable by Function Image™
- Two RF Synthesisers (CMX7032 only)
- Two Auxiliary System Clock Generators

Applications:

- Automatic Identification System (AIS) for Marine Safety
- AIS Aids-To-Navigation (AtoN)
- AIS Class A and B Transponders
- AIS Rx-only or Tx-only Modules



1 Brief Description

The highly-integrated Baseband Signalling Processor ICs CMX7032 and CMX7042 fulfil the requirements of the Class A and Class B Marine Automatic Identification System (AIS) transponder market. The CMX7042 is identical in functionality to the CMX7032 with the exception that the two on-chip RF Synthesisers have been deleted, which enables it to be supplied in a smaller package. This document refers to both parts generically as the CMX7032/CMX7042, unless otherwise stated.

The AIS system allows ships and base stations to communicate their position and other data to each other without the need for a centralised controller. This allows vessels to “see” each other and take appropriate action to avoid collision and so improve marine safety. The system uses a GMSK 9600 baud data link in the Marine VHF radio band. The system requirements are defined in ITU-R M.1371-4.

The two channel access mechanisms used by AIS (Self Organising Time Division Multiple Access (SOTDMA) and Carrier-Sensing Time Division Multiple Access (CSTDMA)) are both supported by the CMX7032/CMX7042. Further information is given in section 6.2.

The CMX7032/CMX7042 devices utilise CML’s proprietary *FirmASIC*[®] component technology. On-chip sub-systems are configured by a Function Image[™]: this is a data file that is uploaded during device initialization which defines the device’s function and feature set. The Function Image[™] can be loaded automatically from an external serial memory or from a host μ Controller over the built-in C-BUS serial interface. The device’s functions and features can be enhanced by subsequent Function Image[™] releases, facilitating in-the-field upgrades.

The CMX7032/CMX7042, when used with 7032/7042FI-1.x, is half duplex in operation, comprising two parallel Limiter-Discriminator Rx paths and one I/Q or two-point modulation Tx path. The Rx paths are configurable for AIS or DSC operation, the Tx for AIS only. The device performs signal modulation/demodulation with associated AIS functions, such as training sequence detection, NRZI conversion and HDLC processing (flags, bit stuffing/de-stuffing, CRC generate/check). Integrated Rx/Tx data buffers are also provided. This greatly reduces the processing requirements of the host μ C. Provision of a number of auxiliary ADCs and DACs further simplifies the system hardware design, reducing the overall equipment cost and size.

This document refers specifically to the features provided by the CMX7032/CMX7042 Function Image[™] FI-1.2.

This Datasheet is the first part of a two-part document comprising Datasheet and User Manual: the User Manual can be obtained by registering your interest in this product with your local CML representative.

CONTENTS

1	Brief Description	2
1.1	History.....	5
2	Block Diagram	7
3	Signal List	8
3.1	Signal Definitions	11
4	Recommended External Components	12
5	PCB Layout Guidelines and Power Supply Decoupling.....	15
6	General Description	17
6.1	Overview	17
6.2	AIS system formats	18
7	Detailed Descriptions.....	19
7.1	Clock Source	19
7.2	Host Interface	19
7.3	Function Image™ Load and Activation.....	21
7.3.1	FI Loading from Host Controller.....	21
7.3.2	FI Loading from Serial Memory.....	23
7.4	System Description and Tasks	24
7.4.1	Signal Routing.....	24
7.4.2	Operating Modes	24
7.4.3	Modem and Data Units	24
7.4.4	Timing and Synchronisation.....	25
7.4.5	Time of Arrival Reporting	25
7.4.6	Tx Timing	25
7.4.7	Rx Timing.....	26
7.4.8	CSTDMA Threshold Measurement.....	27
7.4.9	RSSI Measurement.....	27
7.4.10	RSSI Calibration.....	28
7.4.11	ADCs.....	28
7.4.12	DACs.....	28
7.4.13	Interrupt Operation	28
7.4.14	Deep Sleep Mode	28
7.5	Operation of Tasks	28
7.5.1	Tx Task Operation	29
7.5.2	Rx Task Operation	30
7.5.3	Registers and Buffers for Tx/Rx Tasks.....	31
7.5.4	Write Data Registers.....	31
7.5.5	Read Data Registers.....	32
7.5.6	Data Tasks.....	32
7.5.7	Modem Tasks and Codes	33
7.6	Transmission format.....	33
7.6.1	Transmit Tasks	34
7.6.2	AIS Burst Mode Transmit.....	34
7.6.3	Transmit Example	35
7.6.4	AIS Raw Mode Transmit	35
7.6.5	Transmitter Timing Control	35
7.6.6	Modulation Formats	38
7.7	Reception.....	39
7.7.1	AIS Burst Mode Receive	39

7.7.2	AIS Raw Mode Receive	41
7.7.3	DSC Receive.....	41
7.7.4	Receive Example	43
7.7.5	Rx Tasks	43
7.8	Configuration Tasks and Codes	44
7.9	RF Synthesiser (CMX7032 only)	45
7.10	System Clock Synthesisers	48
7.11	Powersave	49
7.12	C-BUS Register Summary.....	50
8	Performance Specification	51
8.1	Electrical Performance	51
8.1.1	Absolute Maximum Ratings	51
8.1.2	Operating Limits	52
8.1.3	Operating Characteristics	53
8.1.4	Parametric Performance	57
8.2	C-BUS Timing.....	58
8.3	SPI Timing	59
8.4	Packaging	60

TABLES

Table 1	Definition of Power Supply and Reference Voltages.....	11
Table 2	Component Values.....	14
Table 3	BOOTEN Pin States.....	21
Table 4	Data Tasks	32
Table 5	Modem Tasks.....	33
Table 6	AIS Burst Transmit Example	35
Table 7	Tx Sequence Events	36
Table 8	Example Tx Event Sequence Setup (Class B).....	37
Table 9	Example Tx Event Sequence Setup (Class A).....	38
Table 10	AIS Burst Receive Example	43
Table 11	Configuration Tasks	44
Table 12	C-BUS Registers	50

FIGURES

Figure 1	CMX7032/CMX7042 Block Diagram.....	7
Figure 2	CMX7032 Recommended External Components	12
Figure 3	CMX7042 Recommended External Components	13
Figure 4	CMX7032 Power Supply Connections and De-coupling	15
Figure 5	CMX7042 Power Supply Connections and De-coupling	16
Figure 6	C-BUS Transactions	19
Figure 7	FI Loading from Host	22
Figure 8	FI Loading from Serial Memory.....	23
Figure 9	Tx Burst Timing.....	26
Figure 10	Rx Burst Timing	27

Figure 11 Tx Task Operation	29
Figure 12 Rx Task Operation	30
Figure 13 Typical AIS Transmission	37
Figure 14 Tx Spectrum Masks	39
Figure 15 DSC Format	42
Figure 16 Example RF Synthesiser Components	45
Figure 17 Single RF PLL Block Diagram	46
Figure 18 System Clock Generation	48
Figure 19 C-BUS Timing	58
Figure 20 SPI Interface Timing	59
Figure 21 Mechanical Outline for 64-pad VQFN Package (Q1)	60
Figure 22 Mechanical Outline for 64-pin LQFP (leaded) Package (L9)	60
Figure 23 Mechanical Outline for 48-pad VQFN Package (Q3)	61
Figure 24 Mechanical Outline for 48-pin LQFP (leaded) Package (L4)	61

It is always recommended that you check for the latest product datasheet version from the Datasheets page of the CML website: [www.cmlmicro.com].

1.1 History

Version	Changes	Date
15	<ul style="list-style-type: none"> Section 10.1: added exactTrax selection options for FI-3.x 	27/03/18
14	<ul style="list-style-type: none"> Section 7.6.5: new table added for example Class A Tx event sequence setup Section 8.1.3: corrections to typical figures for analogue supply current in Deep Sleep mode and digital supply current for a System Clock. Explanatory notes added at the end of this section. Section 9.19.2.2: bit table modified to state that all values other than those stated are reserved. Section 9.19.2.12: Information added to describe disabling analogue functionality to decrease current consumption in Deep Sleep mode. Minor style changes and correction of typographical errors 	10/01/15
13	<ul style="list-style-type: none"> Section 7.6.5 rewritten to correct transmit timing control description New Figure 13 showing typical AIS transmission Section 9.19, modem task table, Tx AIS unscheduled – TDB - bit 5 corrected. Section 9.19, sub-paragraph levels restructured to improve clarity Minor style changes and correction of typographical errors 	21/11/12
12	<ul style="list-style-type: none"> Add CRC disable feature. Add CS-Sync output. Add SlotCLK output. Changed EEPROM references to serial memory 	07/10/11
11	<ul style="list-style-type: none"> Update to RF Synthesiser parameters, following evaluation. Correction of errors in \$C8 Command Register Table. Further Information on Status2 (\$C5) Register. Clarification of BOOTEN options by Table 13 and Table 3. Correction of error in Figure 8. Update to Modulation Notes (section 11.1) and clarification of Figure 26. 	29/7/11
10	<ul style="list-style-type: none"> Addition of operating voltage range clarification (3.0V to 3.6V) into History files Addition of revised Function Image™ flowcharts (Fig 7 and 8) into History files 	18/9/09

9	<ul style="list-style-type: none"> • Correction to HCT in Task table: should be \$2E not \$0E • HCT \$A7 settings removed from Modem Task table. This information is present in the table immediately below. • Addition of update to register \$CE b8 description into History files • Remove ac coupling from component diagrams - should always be dc coupled • Clarification of the power-up and reset conditions • Addition of a hyperlinked table in section 10, in place of C-BUS Register Map • Minor style changes and correction of typographical errors 	11/9/09
8	<ul style="list-style-type: none"> • NRZI encoder re-initialised on every Tx burst. • Slot initialization range corrected from 2250 to 2249 • Modem tasks table in section 11.18 corrected (Tx AIS raw / Tx AIS unscheduled) • Table 1 Note 6 clarified. 	15/6/09
7	<ul style="list-style-type: none"> • C-BUS names standardised • AuxADC and AuxDAC changed to ADC and DAC • SpareADC changed to Spare • Standards references updated • Slot Counter and ToA compensation and description added: 7.4.5, 7.7.5, table 10 • RSSI1 & 2 periods shown separately in fig 10 • Contact details updated 	13/05/09
6	<ul style="list-style-type: none"> • Addition of C-BUS Mode pin (CMX7032 only), omitted from version 5. • Clarification of operation of DSC Raw and Formatted Modes. • Clarification of RF PLL description: 'channel' replaced by 'PLL'. • Updated parametric figures, based on device characterisation. • Corrections and updates to C-BUS Register Map. • Addition of DSC Format Enable flag into Command register (\$C8) bit 6. • Section 9.19.2.7 clarification: 'polarity' should refer to the 'initial state'. • Correction of typographical errors and incorrect hyperlinks. 	4/12/08
5	<ul style="list-style-type: none"> • Original document, prepared for release of FI-1.2.1.1 	14/1/08

2 Block Diagram

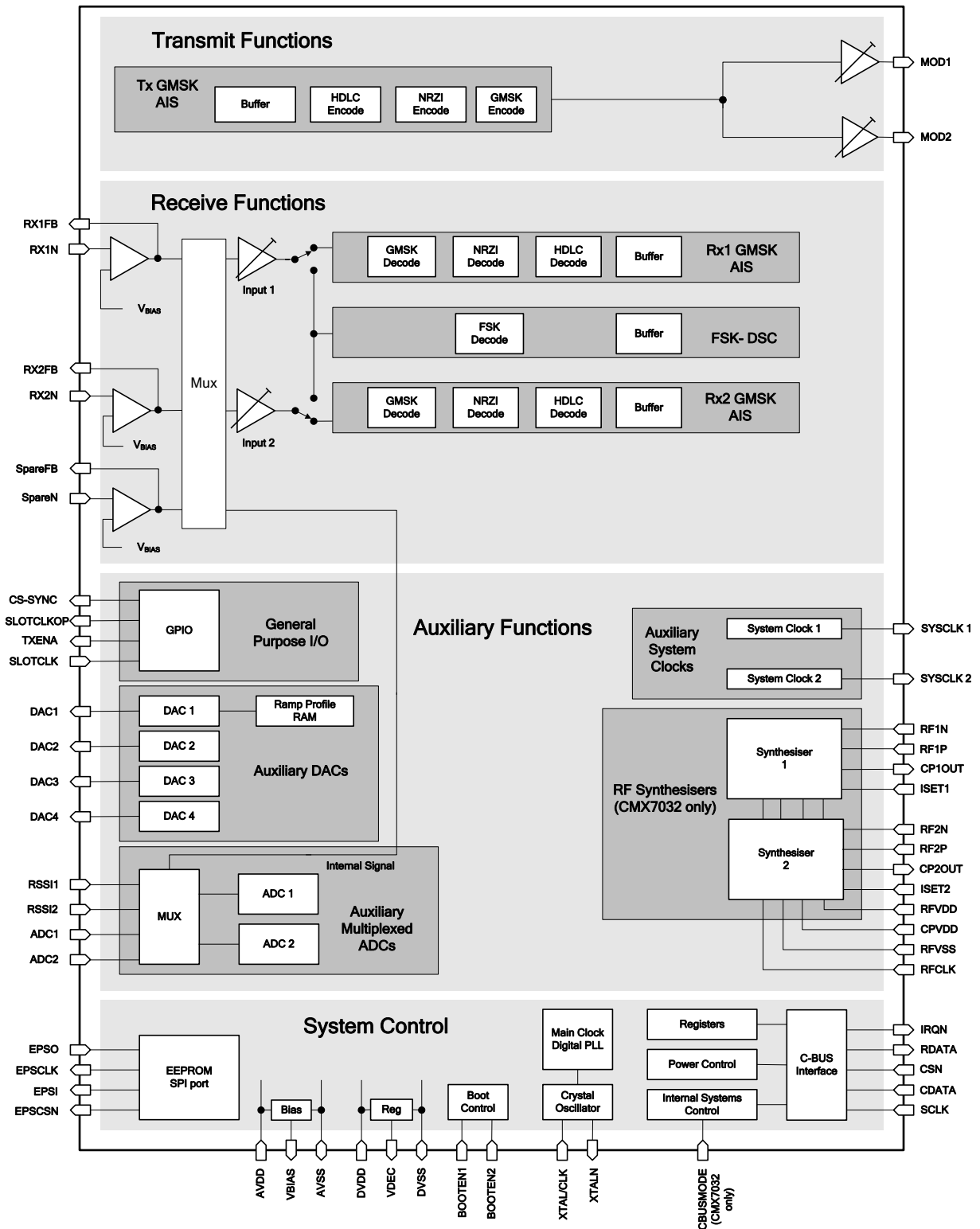


Figure 1 CMX7032/CMX7042 Block Diagram

3 Signal List

CMX7032 64-pin Q1/L9	CMX7042 48-pin Q3/L4	Signal Name	Type	Description
1	8	IRQN	OP	C-BUS: A 'wire-ORable' output for connection to the Interrupt Request input of the host. Pulled down to DV _{SS} when active and is high impedance when inactive. An external pull-up resistor (R1) is required.
2	-	RF1N	IP	RF Synthesiser #1 Negative input.
3	-	RF1P	IP	RF Synthesiser #1 Positive input.
4	-	RFVSS	PWR	The negative supply rail (ground) for the RF synthesisers.
5	-	CP1OUT	OP	1st Charge Pump output.
6	-	ISET1	IP	1st Charge Pump Current Set input.
7	-	RFVDD	PWR	The 2.5V positive supply rail for the RF synthesisers. This should be decoupled to RFV _{SS} by a capacitor mounted close to the device pins.
8	-	RF2N	IP	RF Synthesiser #2 Negative input.
9	-	RF2P	IP	RF Synthesiser #2 Positive input.
10	-	RFVSS	PWR	The negative supply rail (ground) for the 2nd RF synthesiser.
11	-	CP2OUT	OP	2nd Charge Pump output.
12	-	ISET2	IP	2nd Charge Pump Current Set input.
13	-	CPVDD	PWR	The 3.3V positive supply rail for the RF charge pumps. This should be decoupled to RFV _{SS} by a capacitor mounted close to the device pins.
14	-	RFCLK	IP	RF Clock Input (common to both synthesisers) ¹ .
15	-	CS-SYNC	OP	Pulse output when device is about to Tx.
16	-	SLOTCLKOP	OP	Internal SlotCLK output
17	-	ET VCO ENA	OP	FI-3 only – TxVCO enable in exactTrax mode
18	9	VDEC	PWR	Internally generated 2.5V digital supply voltage. Must be decoupled to DV _{SS} by capacitors mounted close to the device pins. No other connections allowed, except for optional connection to RFV _{DD} .
19	10	SLOTCLK	IP	Slot Clock from host (37.5Hz).
-	11	CS-SYNC	OP	Pulse output when device is about to Tx.
-	12	SLOTCLKOP	OP	Internal SlotCLK output
20	13	SYSCLK1	OP	Synthesised Digital System Clock Output 1.
21	14	DVSS	PWR	Digital Ground.
22	-	-	NC	Reserved – do not connect this pin.
23	15	TXENA	OP	Enable for external Tx hardware.

¹ To minimise crosstalk, this signal should be connected to the same clock source as XTAL/CLK input. By default, this is connected internally at power-on, alternatively, this may be achieved by connecting the pin to the XTALN output when a 19.2MHz source is in use.

CMX7032 64-pin Q1/L9	CMX7042 48-pin Q3/L4	Signal Name	Type	Description
24	16	RX1N	IP	Rx1 inverting input.
25	17	RX1FB	OP	Rx1 input amplifier feedback.
26	18	RX2N	IP	Rx2 inverting input.
27	19	RX2FB	OP	Rx2 input amplifier feedback.
28	20	SpareFB	OP	Spare input amplifier feedback.
29	21	SpareN	IP	Spare inverting input.
30	22	AVSS	PWR	Analogue Ground.
31	23	MOD1	OP	Modulator 1 output.
32	24	MOD2	OP	Modulator 2 output.
33	25	VBIAS	OP	Internally generated bias voltage of about $AV_{DD}/2$, except when the device is in 'Powersave' mode when V_{BIAS} will discharge to AV_{SS} . Must be decoupled to AV_{SS} by a capacitor mounted close to the device pins. No other connections allowed.
34	26	-	NC	Reserved – do not connect this pin.
35	27	RSSI1	IP	Analogue RSSI input from Limiter / Discriminator 1.
36	28	RSSI2	IP	Analogue RSSI input from Limiter / Discriminator 2.
37	29	ADC1	IP	ADC input 1.
38	30	ADC2	IP	ADC input 2.
39	31	AVDD	PWR	Analogue +3.3V supply rail. Levels and thresholds within the device are proportional to this voltage. This pin should be decoupled to AV_{SS} by capacitors mounted close to the device pins.
40	32	DAC1	OP	DAC output 1/RAMDAC.
41	33	DAC2	OP	DAC output 2.
42	34	AVSS	PWR	Analogue Ground.
43	35	DAC3	OP	DAC output 3.
44	36	DAC4	OP	DAC output 4.
-	37	DVSS	PWR	Digital Ground.
45	38	VDEC	PWR	Internally generated 2.5V supply voltage. Must be decoupled to DV_{SS} by capacitors mounted close to the device pins. No other connections allowed, except for the optional connection to RFV_{DD} .
46	39	XTAL/CLK	IP	19.2MHz input from the external clock source or 9.6MHz Xtal.
47	40	XTALN	OP	The output of the on-chip 9.6MHz Xtal oscillator inverter. NC if 19.2MHz Clock used.
48	41	DVDD	PWR	Digital +3.3V supply rail. This pin should be decoupled to DV_{SS} by capacitors mounted close to the device pins.
49	42	CDATA	IP	C-BUS: Command Data. Serial data input from the μC .

CMX7032 64-pin Q1/L9	CMX7042 48-pin Q3/L4	Signal Name	Type	Description
50	43	RDATA	TS OP	C-BUS: Reply Data. A 3-state C-BUS serial data output to the μ C. This output is high impedance when not sending data to the μ C.
51	44	-	NC	Reserved – do not connect this pin.
52	45	DVSS	PWR	Digital Ground.
53	-	-	NC	Reserved – do not connect this pin.
54	46	SCLK	IP	C-BUS: The C-BUS serial clock input from the μ C.
55	47	SYSCLK2	OP	Synthesised Digital System Clock Output 2.
56	48	CSN	IP	C-BUS: The C-BUS chip select input from the μ C.
57	-	CBUSMODE	IP+PD	Reserved – connect to DV _{SS} (CMX7032 only).
58	1	EPSI	OP	Serial Memory Interface:SPI bus Output.
59	2	EPSCCLK	OP	Serial Memory Interface:SPI bus Clock.
60	3	EPSO	IP+PD	Serial Memory Interface:SPI bus Input.
61	4	EPSCSN	OP	Serial Memory Interface:SPI bus Chip Select.
62	5	BOOTEN1	IP+PD	Used in conjunction with BOOTEN2 to determine the operation of the bootstrap program.
63	6	BOOTEN2	IP+PD	Used in conjunction with BOOTEN1 to determine the operation of the bootstrap program.
64	7	DVSS	PWR	Digital Ground.
EXPOSED METAL PAD	EXPOSED METAL PAD	SUB	~	On Q1 and Q3 packages only, the central metal pad may be connected to Analogue Ground (AV _{SS}) or left unconnected. No other electrical connection is permitted.

Notes:

IP	=	Input (+PU/PD = internal pullup/pulldown resistor)
OP	=	Output
TS OP	=	3-state Output
PWR	=	Power Supply Connection
NC	=	No Connection

Functions with no associated pin number are not available in the CMX7042.

SLOTCLKOP and CS-SYNC functions are not available on CMX7032 devices with batch codes before #72181.

3.1 Signal Definitions

Table 1 Definition of Power Supply and Reference Voltages

Signal Name	Pins	Usage
AV _{DD}	AVDD	Power supply for analogue circuits
DV _{DD}	DVDD	Power supply for digital circuits
RFV _{DD}	RFVDD	Power supply for RF synthesiser circuits
CPV _{DD}	CPVDD	Power supply for RF charge pump
V _{DEC}	VDEC	Power supply for core logic, derived from DV _{DD} by on-chip regulator
V _{BIAS}	VBIAS	Internal analogue reference level, derived from AV _{DD}
AV _{SS}	AVSS	Ground for all analogue circuits
DV _{SS}	DVSS	Ground for all digital circuits
RFV _{SS}	RFVSS	Ground for all RF circuits

4 Recommended External Components

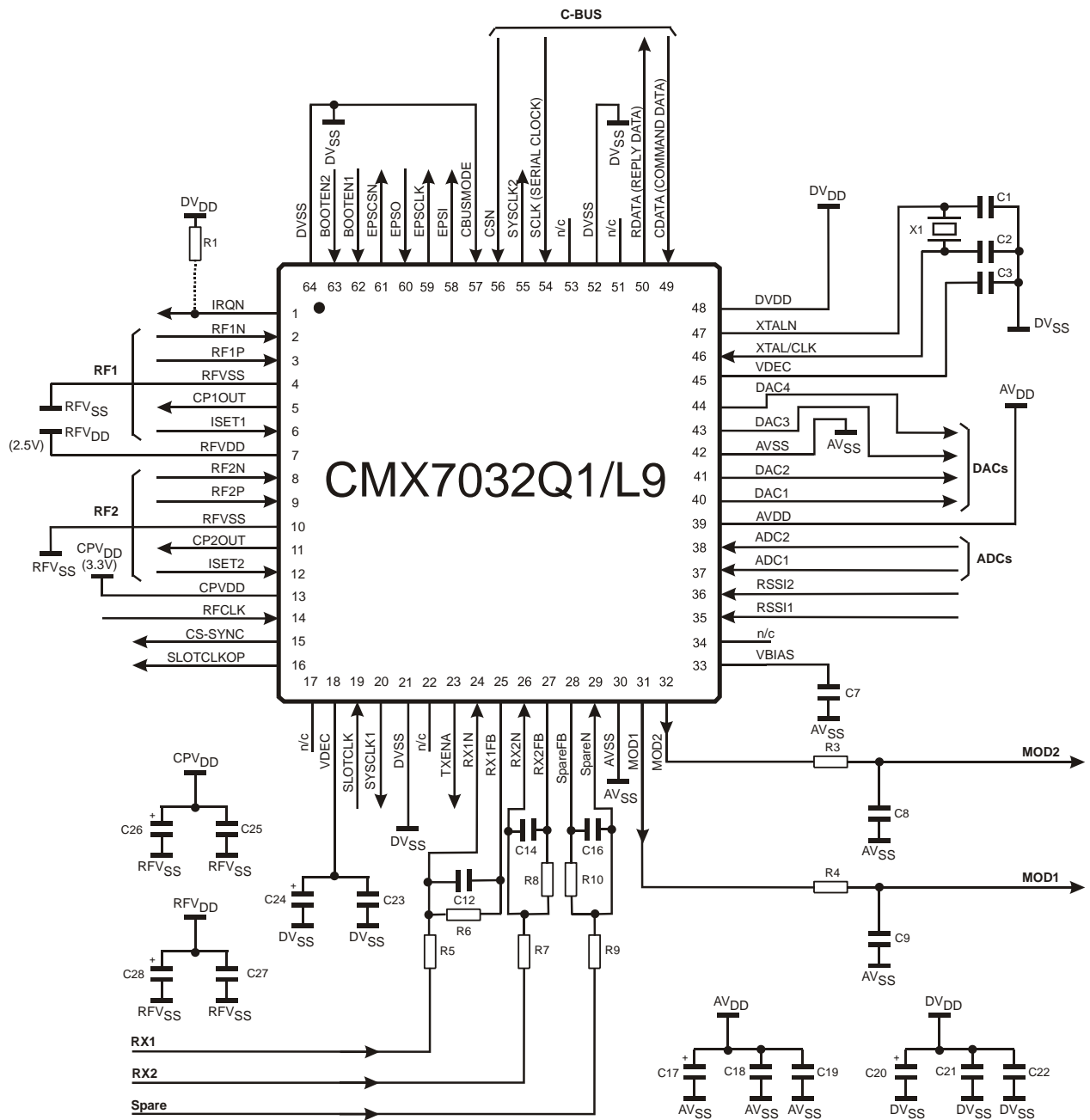


Figure 2 CMX7032 Recommended External Components

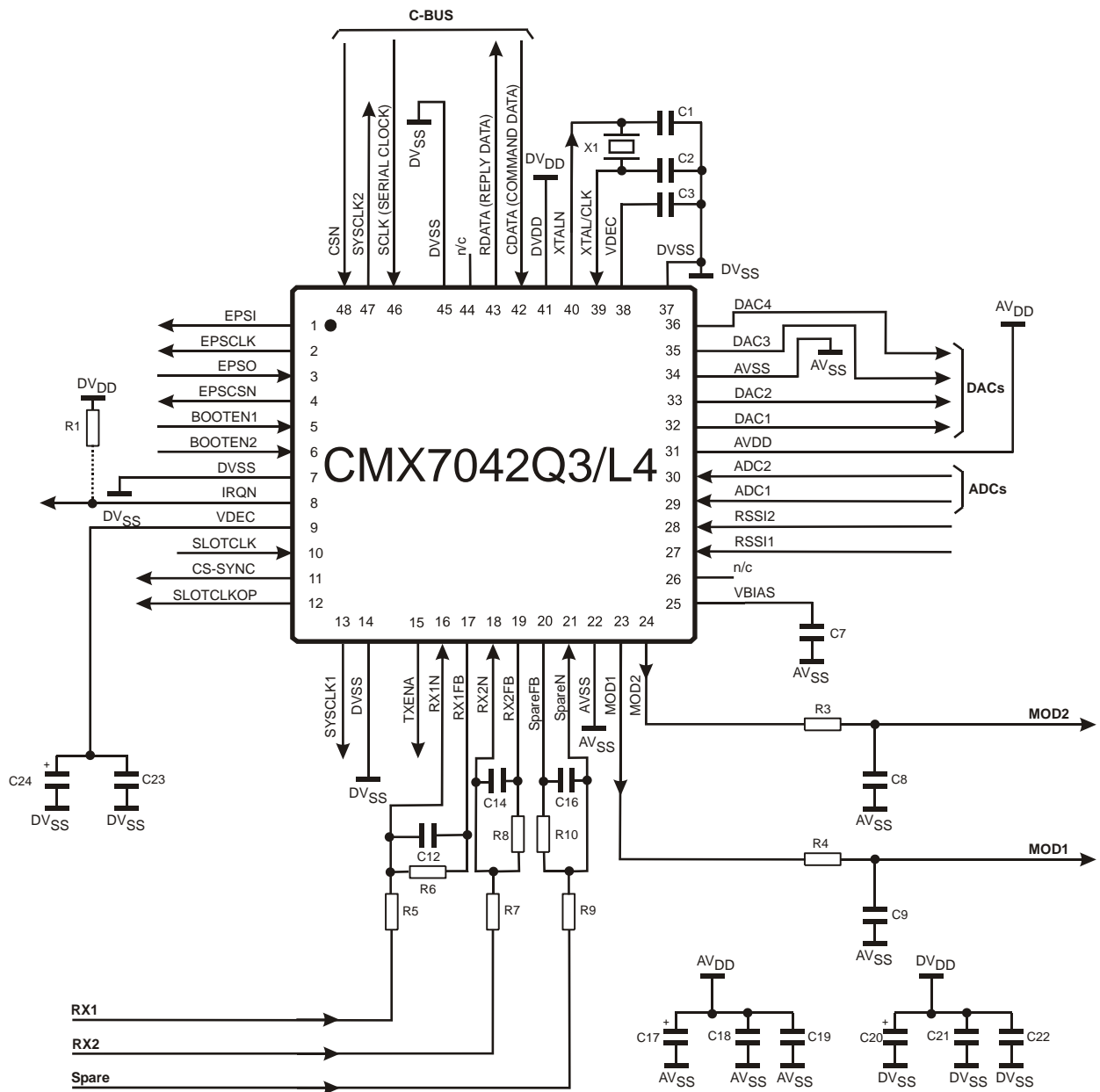


Figure 3 CMX7042 Recommended External Components

Table 2 Component Values

R1	100kΩ	C1	18pF	C16	100pF	C23	10nF
R3	100kΩ	C2	18pF	C17	10μF	C24	10μF
R4	100kΩ	C3	10nF	C18	10nF	C25	10nF
R5	See note 2	C4	<i>not fitted</i>	C19	10nF	C26	10μF
R6	100kΩ	C7	100nF	C20	10μF	C27	10nF
R7	See note 3	C8	100pF	C21	10nF	C28	10μF
R8	100kΩ	C9	100pF	C22	10nF		
R9	See note 4	C12	100pF			X1	9.6MHz
R10	100kΩ	C14	100pF				See note 1

Resistors $\pm 5\%$, capacitors and inductors $\pm 20\%$ unless otherwise stated.

Notes:

- X1 can be a 9.6MHz crystal or a 19.2MHz external clock generator. The tracks between the crystal and the device pins should be as short as possible to achieve maximum stability and best start up performance.
- R5 should be selected to provide the desired dc gain (assuming C11 is not present) of the input, as follows:

$$|\text{GAIN}_{\text{RX1N}}| = 100\text{k}\Omega / R5$$

The gain should be such that the resultant output at the RX1FB pin is within the input signal range specified in 8.1.3.

- R7 should be selected to provide the desired dc gain (assuming C13 is not present) of the input as follows:

$$|\text{GAIN}_{\text{RX2N}}| = 100\text{k}\Omega / R7$$

The gain should be such that the resultant output at the RX2FB pin is within the input signal range specified in 8.1.3.

- R9 should be selected to provide the desired dc gain (assuming C15 is not present) of the input as follows:

$$|\text{GAIN}_{\text{SpareN}}| = 100\text{k}\Omega / R9$$

The gain should be such that the resultant output at the SpareFB pin is within the input signal range specified in 8.1.3.

- Care should be taken in connecting the output of the Limiter-Discriminator device to the Rx input pins of the CMX7032. The format of the GMSK signal requires that the frequency response of the input circuits extends to below 10Hz, however the variations in the incoming AIS signals from many different stations require that the input must rapidly follow the changes in dc and signal levels without de-grading the signal seen at the Rx input pins.
- A single 10μF electrolytic capacitor (C24, fitted as shown) may be used for smoothing the power supply to both V_{DEC} pins, providing they are connected together on the pcb with an adequate width power supply trace. Alternatively, separate smoothing capacitors should be connected to each V_{DEC} pin. High frequency decoupling capacitors (C3 and C23) must always be fitted as close as possible to both V_{DEC} pins.

5 PCB Layout Guidelines and Power Supply Decoupling

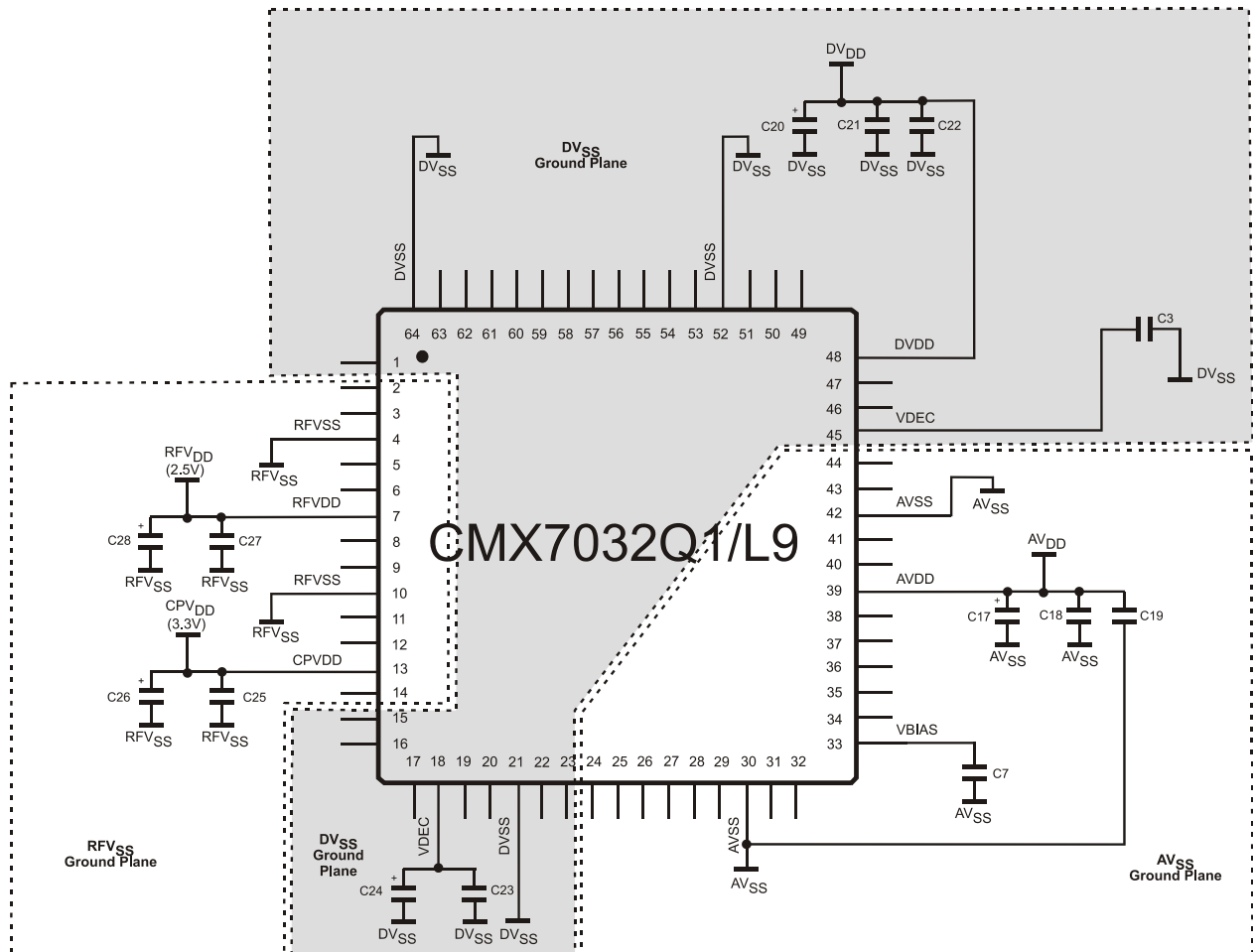


Figure 4 CMX7032 Power Supply Connections and De-coupling
Component Values as per Table 2.

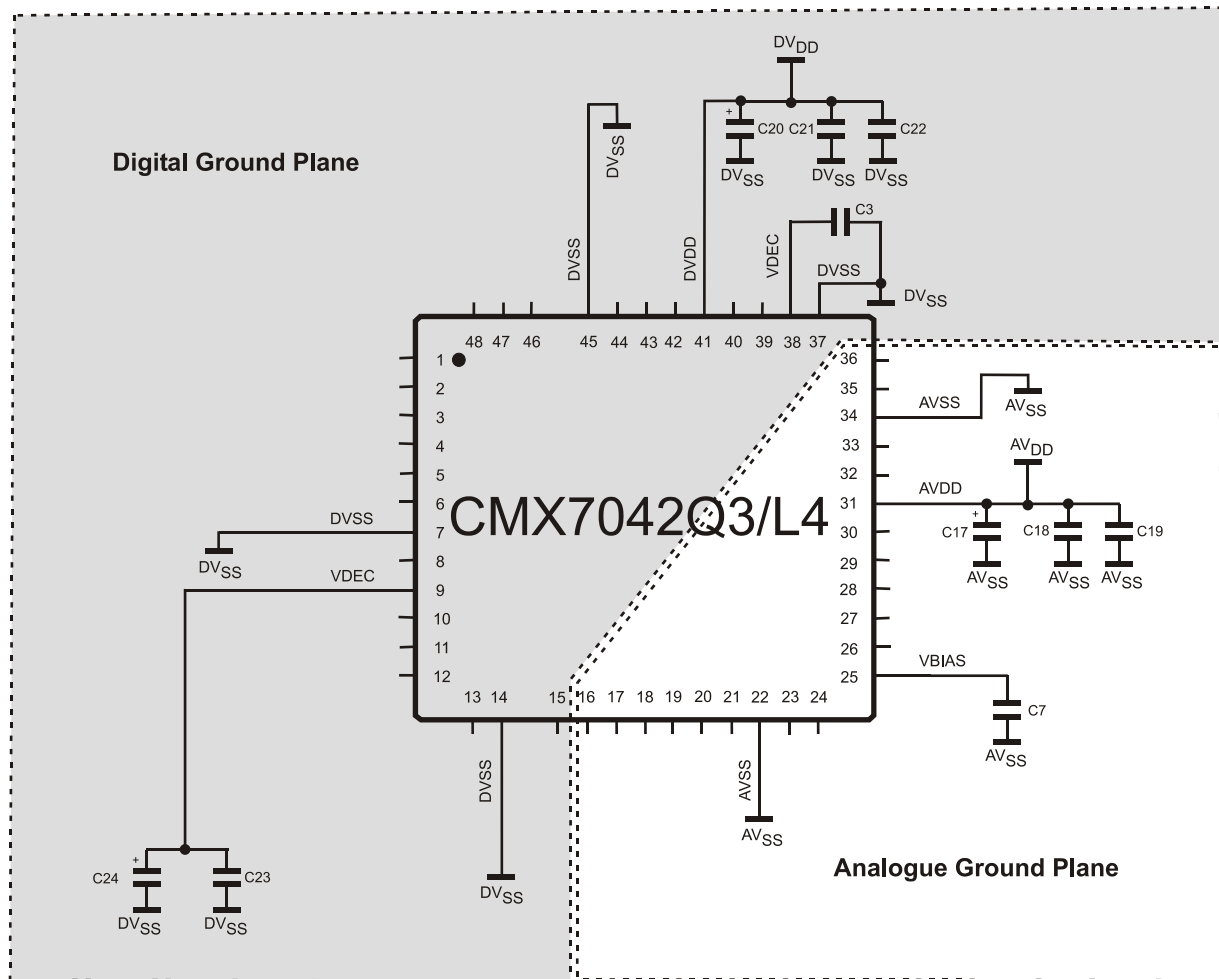


Figure 5 CMX7042 Power Supply Connections and De-coupling

Component Values as per Table 2.

Notes:

1. It is important to protect the analogue pins from extraneous inband noise and to minimise the impedance between the CMX7032 and the supply and bias de-coupling capacitors. The supply decoupling capacitors should be as close as possible to the CMX7032. It is therefore recommended that the printed circuit board is laid out with separate ground planes for the AV_{SS}, RFV_{SS} and DV_{SS} supplies in the area of the CMX7032, with provision to make links between them, close to the CMX7032. Use of a multi-layer printed circuit board will facilitate the provision of ground planes on separate layers.
2. The central metal pad (which is exposed on Q1 and Q3 packages only) may be electrically unconnected or, alternatively, may be connected to Analogue Ground (AV_{SS}). **No other electrical connection is permitted.**
3. V_{BIAS} is used as an internal reference for detecting and generating the various analogue signals. It must be carefully decoupled to ensure its integrity so, apart from the decoupling capacitor shown, no other loads should be connected. If V_{BIAS} needs to be used to set the discriminator mid-point reference, it must be buffered with an external high input impedance buffer.
4. The 2.5V V_{DEC} output can be used to supply the 2.5V RFV_{DD}, to remove the need for an external 2.5V regulated supply. V_{DEC} can be directly connected to RFV_{DD}.

6 General Description

6.1 Overview

Tx Modem Functions

- AIS 25kHz channel (GMSK, 9600bps, 2.4kHz deviation, BT = 0.4)
- AIS Burst mode with full AIS frame formatting (HDLC-type)
 - Bit stuffing
 - NRZI coding
 - Training sequence and start/stop flag insertion
 - CRC generation
- AIS Raw mode (for greater flexibility)
 - Supports arbitrary data streams for user-defined protocols
- Full support for the AIS Class B carrier-sensing channel access scheme (CSTDMA)
- Full support for the AIS Class B Self-organising TDMA access scheme
- 160 byte (equivalent to 5 AIS slots) Tx data buffer
- Flexible Tx Interface
 - Two-point modulation outputs, with independent gain and polarity controls
 - I/Q modulation outputs, for use with an I/Q upconverter
- CS-SYNC output to facilitate IEC 62287-1 testing

Rx Modem Functions

- Configurable modulation format:
 - AIS 25kHz channel (GMSK, 9600bps, 2.4kHz deviation, BT = 0.4)
 - DSC (de-emphasised FSK, 1200bps)
- Simultaneous reception of two AIS channels, or one AIS and one DSC channel
- AIS Burst mode with full AIS frame formatting (HDLC-type)
 - Frame sync recognition
 - Bit de-stuffing
 - NRZI decoding
 - Training sequence and start/stop flag detection
 - CRC checking
- AIS Raw mode (for greater flexibility)
 - Supports arbitrary data streams for user-defined protocols
- DSC reception
 - Raw mode
 - Formatted mode
- Four 160-byte Rx data buffers can automatically store up to four 5-slot AIS bursts (2 per Rx channel)
- Rx signal input gain and polarity controls
- Time-of-arrival reporting assists with timekeeping in the absence of GPS
- Option to report messages with CRC errors

100 - 600 MHz RF Synthesisers (CMX7032 only)

- Two Integer-N synthesisers
- Flexible design minimises reference spurs for low phase noise results
- Charge pump
 - High/low soft selectable current setting to speed large frequency channel changes
 - Nominal current user defined by external resistor value
- Lock detect

Analog I/O Functions

- Auxiliary ADC system
 - Two 10-bit successive approximation ADCs with integrated sample and hold
 - One AuxADC is dedicated to RSSI measurement in a user defined window, the other is available for general use
- Ramping auxiliary DAC
 - DAC sequences through a user-configured sequence of DAC output values to develop a specific rising/falling DAC output signal. This is useful for ramping an RF PA, and can be configured to happen automatically at the start and end of a burst.
 - Can operate as a general purpose DAC, if desired
- Three general purpose auxiliary DACs

System Functions

- All internal subsystems are controlled via a single serial host interface to reduce host μ C pin count and simplify external host driver complexity.
- Transaction oriented command/response logical host interface executes tasks supporting normal operation, device configuration, and functions to assist manufacturing calibration trimming of external circuits.
- Internal system clock derived from RF synthesiser reference oscillator and eliminates the need for additional XTAL or baseband clock oscillator.
- User clock synthesisers generate two clocks for external use and eliminates an external clock synthesiser when needed to support peripheral devices.
- User selected method for loading a Function Image™ - either from the host μ C via C-BUS or from an external serial memory.
- Integrated 2.5V regulator can develop 2.5V from required 3.3V supply.
- Powersave facilities minimize total system power.

6.2 AIS system formats

The AIS system uses two basic channel access mechanisms: Self Organising Time Division Multiple Access (SOTDMA) and Carrier-Sensing Time Division Multiple Access (CSTDMA). The CMX7032 and CMX7042 are compatible with both systems and offer additional features which simplify the implementation of CSTDMA. The SOTDMA system is detailed in ITU-R M.1371-1 and IEC 61993-2 while the CSTDMA is detailed in IEC 62287.

The CSTDMA system is used in the implementation of the Class B-CS AIS. This requires the receiver to monitor the first part of a slot for an existing AIS transmission from another station before deciding to use the slot for its own transmission or aborting and selecting a different slot.

The SOTDMA system is used in the Class A and Base Station AIS as well as the Class B-SOTDMA AIS standard.

The CMX7032 and CMX7042 are particularly well suited to the Aids to Navigation applications where power consumption must be minimised.

The relevant International standards are:

[0]	ITU-R M.1371-4
[1]	IEC 61993-2 Class A
[2]	IEC 62287-1 Class B CSTDMA
[3]	IEC 62287-2 Class B SOTDMA
[4]	IEC 62320-1 Base Station
[5]	IEC 62320-2 Aids to Navigation
[6]	IEC 61097-14 AIS-SART

7 Detailed Descriptions

7.1 Clock Source

The CMX7032/CMX7042 can be used with either a 9.6MHz xtal or a 19.2MHz oscillator. The RF clock (RFCLK) should also be derived from this source to avoid the generation of unwanted spurious signals.

7.2 Host Interface

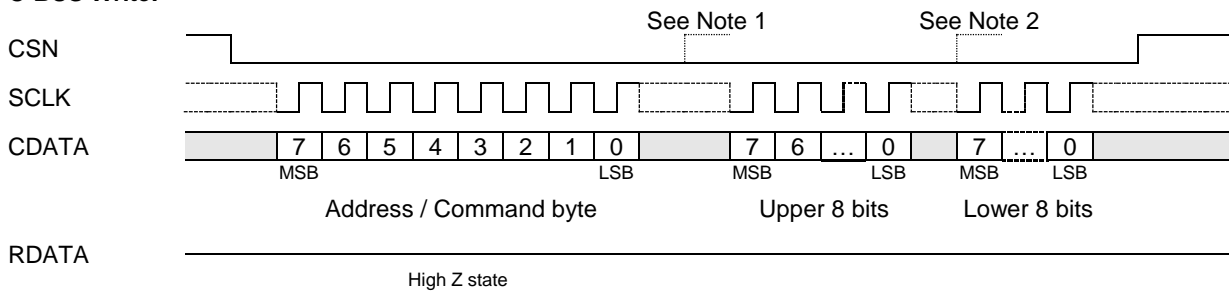
This section provides a general description of the C-BUS serial interface protocol used to transfer data, control and status information between the CMX7032/CMX7042 and its host. On the CMX7032 only, the C-BUS serial interface must be enabled by permanently connecting CBUSMODE (pin 57) to digital ground (DV_{SS}).

C-BUS is a serial interface, similar to SPI, that uses a simple transaction-oriented command/response protocol with addressing to access specific registers within the CMX7032. Each C-BUS transaction consists of a single Register Address/Command byte (A/C byte) sent from the μ C which may be followed by one or more data byte(s) sent from the μ C to be written into one of the CMX7032's Write Only registers, or one or more data byte(s) read out from one of the CMX7032's Read Only registers, as illustrated in Figure 6.

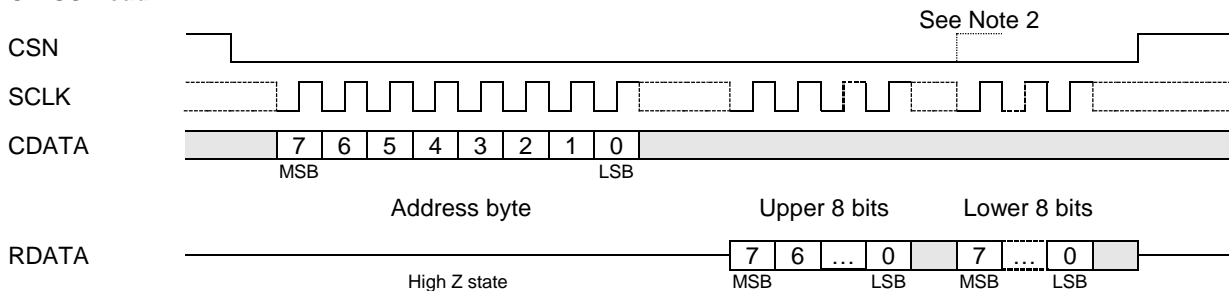
Data sent from the μ C on the CDATA line is clocked into the CMX7032/CMX7042 on the rising edge of the SCLK input. RDATA sent from the CMX7032/CMX7042 to the μ C is valid when the SCLK is high. The CSN line must be held low during a data transfer and kept high between transfers. The C-BUS interface is compatible with most common μ C serial interfaces and may also be easily implemented with general purpose μ C I/O pins controlled by a simple software routine.

The number of data bytes following an A/C byte is dependent on the value of the A/C byte. The most significant bit of the address or data is sent first. For detailed timings see section 8.2.

C-BUS Write:



C-BUS Read:



Data value unimportant
 Repeated cycles
 Either logic level valid

Figure 6 C-BUS Transactions

Notes:

1. For Command byte transfers only the first 8 bits are transferred.
2. For single byte data transfers only the first 8 bits of the data are transferred.
3. The CDATA and RDATA lines are never active at the same time. The Address byte determines the data direction for each C-BUS transfer.
4. The SCLK input can be high or low at the start and end of each C-BUS transaction.
5. The gaps shown between each byte on the CDATA and RDATA lines in the above diagram are optional, the host may insert gaps or concatenate the data as required.

7.3 Function Image™ Load and Activation

The Function Image™ (FI) file, which defines the operational capabilities of the device, may be obtained from the CML Technical Portal, following registration. This is in the form of a 'C' header file which can be included into the host controller software or programmed into an external serial memory. The maximum possible size of Function Image™ is 46kbytes, although a typical FI will be less than this. Note that the BOOTEN pins are only read at power-on or following a C-BUS General Reset and must remain stable throughout the FI loading process. Once the FI load has completed, the BOOTEN pins are ignored by the CMX7032/CMX7042 until the next power-up or C-BUS General Reset.

The BOOTEN pins are both fitted with internal low-current pull down devices.

For C-BUS load operation, both pins should be pulled high by connecting them to V_{DD} either directly or via a 220k Ω resistor (see Table 3).

For serial memory load, only BOOTEN1 needs to be pulled high in a similar manner, however, if it is required to program the serial memory in-situ from the host, either a jumper to V_{DD} or a link to a host I/O pin should be provided to pull BOOTEN2 high when required (see Table 3).

Once the FI has been loaded, the CMX7032/CMX7042 performs these actions:

- (1) the product identification code (\$7032 or \$7042) is reported in C-BUS register \$C5
- (2) the FI version code is reported in C-BUS register \$C9
- (3) the two 32-bit FI checksums are reported in C-BUS register pairs \$A9, \$AA and \$B8, \$B9
- (4) the device waits for the host to load the 32-bit Device Activation Code to C-BUS register \$C8
- (5) once activated, the device initialises fully, enters idle mode and becomes ready for use, and the Activation Register Ready (ACT) flag (bit 0 of the Status register) will be set.

The checksums should be verified against the published values to ensure that the FI has loaded correctly. Once the FI has been activated, the checksum, product identification and version code registers are cleared and these values are no longer available. If an invalid activation code is loaded, the device will report the value \$DEAD in register \$A9 and become unresponsive to all further host commands (including General Reset). A power-on reset is required to recover from this state.

Both the Device Activation Code and the checksum values are available from the CML Technical Portal.

Table 3 BOOTEN Pin States

	BOOTEN2	BOOTEN1
C-BUS Host load	1	1
reserved	1	0
Serial Memory load	0	1
No FI load	0	0

Note: Following a General Reset, reloading of the Function Image is strongly recommended.

7.3.1 FI Loading from Host Controller

The FI can be included into the host controller software build and downloaded into the CMX7032/CMX7042 at power-up over the C-BUS interface. The BOOTEN pins must be set to the C-BUS host load configuration, the CMX7032/CMX7042 powered up, wait for the ACT flag to be set (Status register \$C6 bit 0), then the data can then be sent directly over the C-BUS to the CMX7032/CMX7042.

Each time the device is powered up its Function Image™ must first be loaded and then activated. These two steps assign internal device resources and determine all device features. The device does not operate until the Function Image™ is loaded and activated.

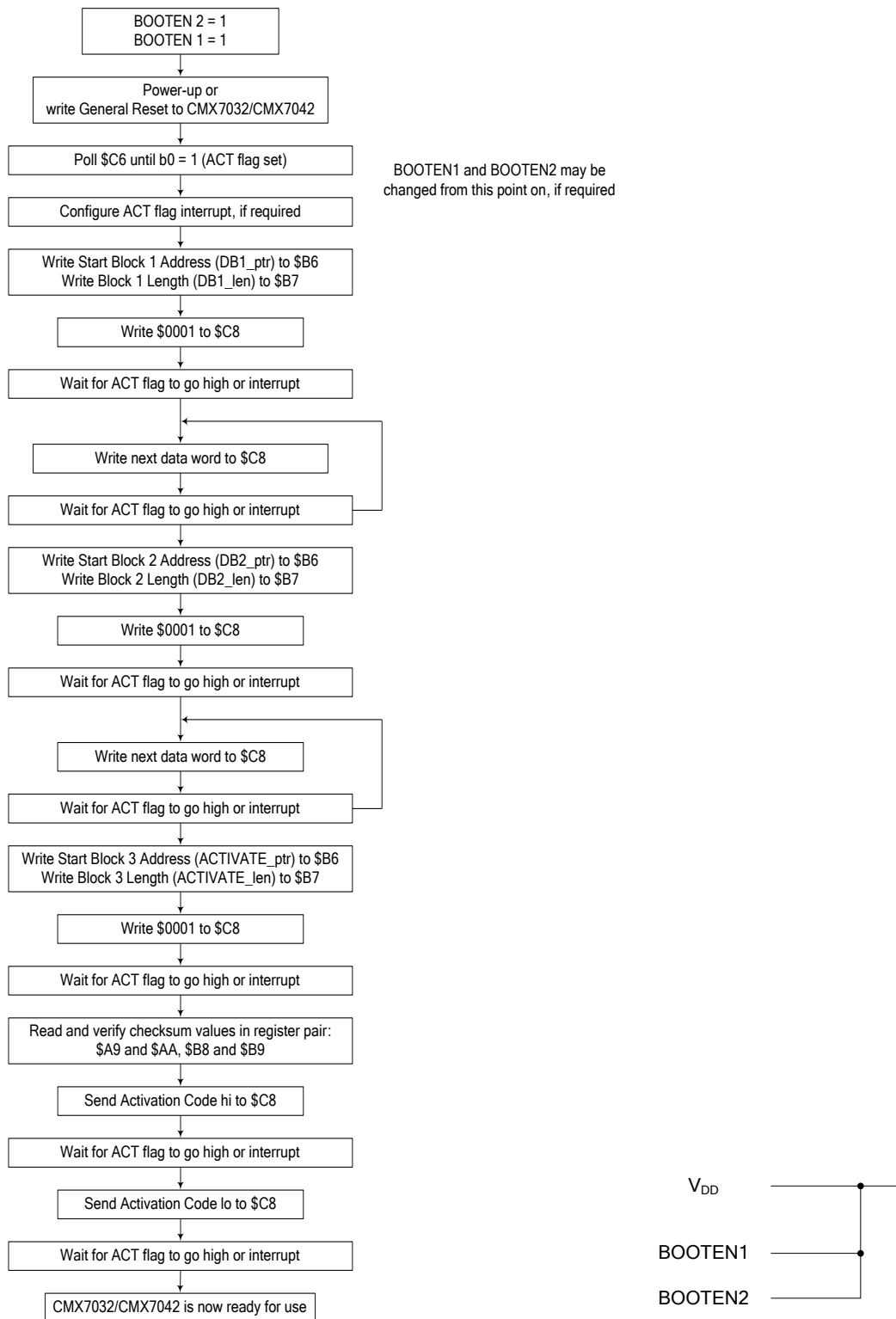


Figure 7 FI Loading from Host

The download time is limited by the clock frequency of the C-BUS, with a 5MHz SCLK, it should take less than 500ms to complete.

7.3.2 FI Loading from Serial Memory

The FI must be converted into a format for the serial memory programmer (normally Intel Hex) and loaded into the serial memory either by the host or an external programmer. The CMX7032/CMX7042 needs to have the BOOTEN pins set to serial memory load, and then on power-on, or following a C-BUS General Reset, the CMX7032/CMX7042 will automatically load the data from the serial memory without intervention from the host controller.

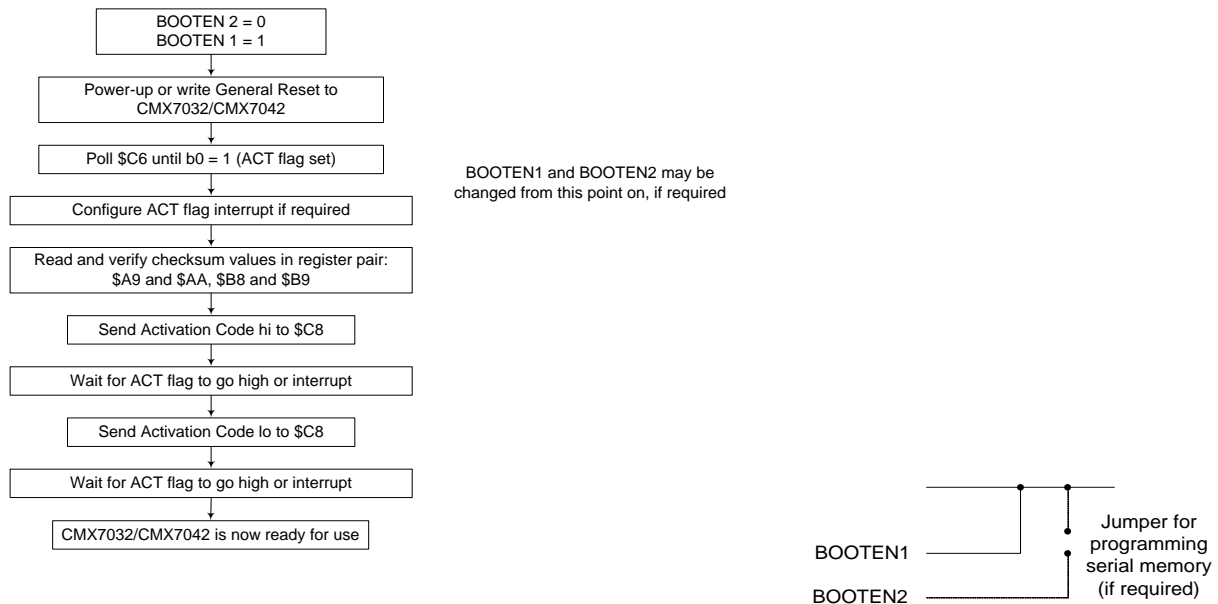


Figure 8 FI Loading from Serial Memory

The CMX7032/CMX7042 has been designed to function with Atmel AT25HP512 serial EEPROM and the ATF512 flash EEPROM devices², however other manufacturers' parts may also be suitable. The time taken to load the FI is dependant on the XTAL/CLK source frequency, but should be less than 500ms.

² Note that these two memory devices have slightly different addressing schemes. FI-1.2 for the CMX7032/CMX7042 is compatible with both schemes.

7.4 System Description and Tasks

This section describes the operation of main sections of the CMX7032/CMX7042 and the task-oriented logical interface provided to the external host device.

7.4.1 Signal Routing

The CMX7032/CMX7042 provides processing capability for two simultaneous receive channels (either two AIS or one AIS and one DSC) or one Tx channel (AIS).

The inputs to the two receiver channels are nominally allocated to the RX1N and RX2N pins of the device, however they can be re-allocated by the user by use of the Input Signal Routing C-BUS register, \$B1. The SpareN pin can also be used as an input to the receivers if required. By default the device will route RX1N to Rx channel 1 and RX2N to Rx channel 2, which leaves the SpareN signal available to the ADC. All of these inputs are configured around an inverting op-amp stage to facilitate gain and filtering adjustments. In addition, the Rx channel inputs are equipped with programmable gain stages for further level adjustments as required.

The Tx Modulation output signals may be configured to be suitable for two-point modulation circuits or alternatively an I/Q upconverter. Signal levels on both output pins, MOD1 and MOD2, can be set to within 0.2dB using a Configuration Mode task.

7.4.2 Operating Modes

The CMX7032/CMX7042 operates in either:

- Configuration mode
- Normal mode

Configuration mode is used to set up various operating parameters of the CMX7032/CMX7042 subsystems, e.g. Transmit format, timing parameters etc. following a power-up or reset. The modem section is disabled when the device is in Configuration mode. Configuration mode uses dedicated tasks that are not valid whilst in Normal mode.

Normal mode is used when actively running the CMX7032/CMX7042 modem and other subsystems. Normal mode uses dedicated tasks that are not valid whilst in Configuration mode.

“Enter Config Mode” (ECM) is a Normal mode task that switches the device from Normal to Configuration mode. “Exit Config Mode” (EXIT_CONFIG) is a Configuration mode task that switches the device from Configuration to Normal mode.

7.4.3 Modem and Data Units

The CMX7032/CMX7042 is logically divided into two main units which can accept and perform tasks separately:

- Modem Unit
- Data Unit

The Modem Unit is primarily responsible for processing Tx data from the internal Tx data buffer, presenting it on the MOD1 and MOD2 pins, processing the Rx input signals to recover the Rx data they represent and storing that data in the internal Rx data buffers.

The Data Unit is primarily responsible for transferring data between the internal data buffers or subsystems and the C-BUS registers, from where they can be accessed by the host μ C.

When the device is in Normal mode, the Command register, \$C8, is a 16 bit C-BUS write register that contains task fields for both Data and Modem units. A task is invoked by writing its code into the Data Task or Modem Task fields. A single C-BUS write transaction will change all Command register fields. Often, the host will only want to issue either a Data or Modem task, in which case it should ensure that the other task field is set to all zeroes, corresponding to a null/idle task. Sometimes it is useful to issue Data and Modem tasks simultaneously, in which case, the Data task will always be completed before the Modem task is started.

Certain internal subsystems can be directly accessed and controlled via C-BUS transactions, without issuing a specific task/command.

7.4.4 Timing and Synchronisation

An AIS transponder must keep track of both the current AIS slot number and the position within the slot. This is principally to ensure that transmissions occur at the right time, and that hardware is correctly switched between Rx and Tx, but is also useful for scheduling when to take RSSI measurements, when receivers can be powered down and when they should wake up again.

In an AIS Class A transponder, the clock is synchronised with a 1Hz tick from a GNSS (GPS) unit. In a Class B transponder the clock may be synchronised to the GNSS tick, or may be synchronised to the reception time of AIS bursts from a Class A transponder or Base Station. Note that the latter scheme requires management by the host μ C, which must determine which received bursts are qualified to be used as a timing reference. Whichever of these methods is used by the transponder, the CMX7032/CMX7042 requires a Slot Clock (SLOTCLK) input from the host μ C. This should be a pulse at least 50 μ s long, whose rising edge is aligned to the AIS Slot boundary. An edge is required at the start of every AIS slot, hence the frequency of this signal is 37.5Hz.

The CMX7032/CMX7042 has several features to assist the host μ C with timing, which are detailed below. All of these features are based on the SLOTCLK signal, provided by the host to the CMX7032/CMX7042's SLOTCLK pin. All timings are defined as a number of 24kHz "ticks" referenced to the rising edge of the SLOTCLK signal.

7.4.5 Time of Arrival Reporting

When the CMX7032/CMX7042 has received a burst as the result of an RXB1/2 (receive burst) task, the time of arrival is presented as one of the first four words of the Data Block. This will give the time, measured in 24kHz ticks, between the rising edge of the last SLOTCLK and the detection of the last bit of the start flag of the burst (T_{sync} in ITU-R M.1371-3). The current Slot Number (as determined by the internal slot counter) will also be returned in the Data Block. Note that the internal filters and signal processing results in a delay of up to 20 ticks – this can be automatically removed by the use of the Config Mode task, ToA compensate. For a received burst from a Class A Transmitter that is exactly aligned with the SLOTCLK, the ToA indicated will be calculated as:

AIS data field	bits	ticks
Tx rise time	8	20
Preamble	24	60
Start flag	8	20
Internal delay		20
Total		120

Note that additional delays due to signal processing through external hardware may add to this value.

The internal slot counter increments on every rising edge of the SLOTCLK, or when then the internal tick counter reaches 640. This is not subject to the internal filter delays. The internal tick counter is initialized on every rising edge of SLOTCLK. In the absence of a SLOTCLK signal, it will free-run, based on the internal 24kHz clock, modulo 640. The internal SLOTCLK is output as a pulse on the SLOTCLKOP pin.

7.4.6 Tx Timing

The CMX7032/CMX7042 can be configured to perform a sequence of events when a TXB or TDBS task (transmit burst) is issued. The events are: start and end of modulation, ramping the RAMDAC up and down, asserting and releasing a digital output pin (intended as a Tx Enable) and CSTDMA sensing. Each of these can be configured to happen with specified delays from the rising edge of the SLOTCLK. The timings are set up with the Config Mode task Tx_Sequence. See User Manual section 9.19.2.7 for details.

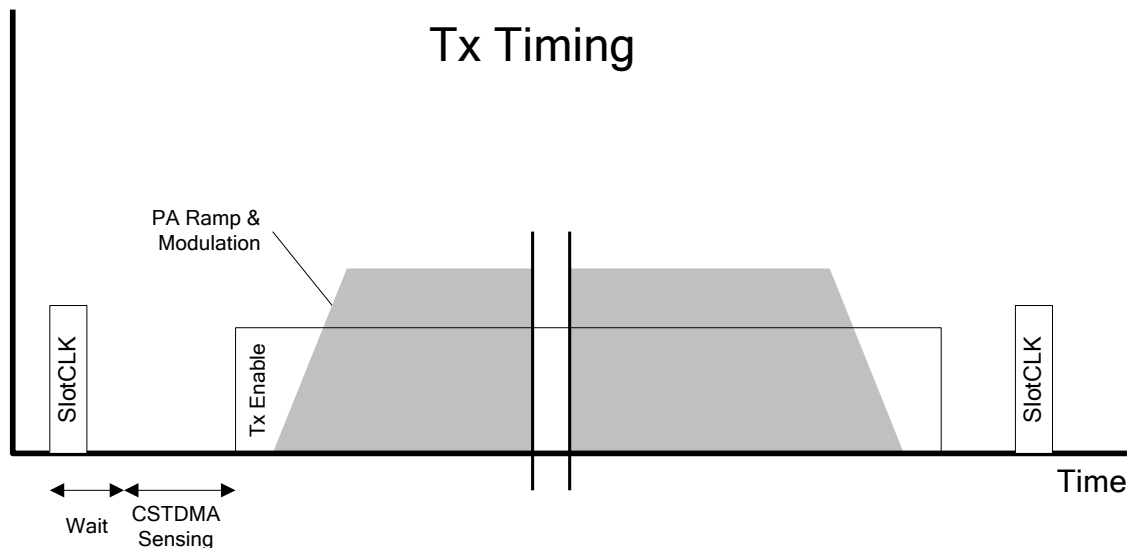


Figure 9 Tx Burst Timing

If CSTDMA sensing has been enabled then the CMX7032/CMX7042 will measure the carrier level (RSSI) on the selected channel during the window specified in the transmit timing table. If the user-specified threshold is exceeded then the subsequent events (RAMDAC, Tx Enable and modulation) will be cancelled. The threshold is set using the CS_Threshold register, \$C2. See User Manual section 9.16 for details. The device will output a pulse on the CS-SYNC pin, co-incident with the SLOTCLK, when it intends to attempt a transmission. This is provided to simplify testing under IEC 62287-1 section 12.2.1. The signal will return to its inactive state when the TxDone task is executed, either as a result of a CS abort or if the transmission succeeded.

7.4.7 Rx Timing

The CMX7032/CMX7042 has a powersaving mode, where it spends most of its time 'asleep', but 'wakes up' at the start of each AIS slot and receives for long enough to determine whether a burst is present or not. If no burst is received the CMX7032/CMX7042 will make a pair of RSSI measurements and then go back to sleep. This power saving operation can be turned on and off using the Sleep Mode En bit in the Mode register, \$C1. The CMX7032/CMX7042 will still respond to C-BUS accesses when 'asleep' but the latency between a task being issued and completed may be longer than normal.

The times to perform RSSI measurements, go to sleep, and wake up are configured by the host, and all times are referenced to the SLOTCLK signal. The host should ensure that these timings result in the CMX7032/CMX7042 being awake in time to sample the next SLOTCLK signal. The timings are set up using the Sleep_Timing Config task. See User Manual section 9.19.2.8 for details.

If Sleep mode is not enabled, then the demodulator will run continuously and update the Rx Data buffer whenever valid data is received.

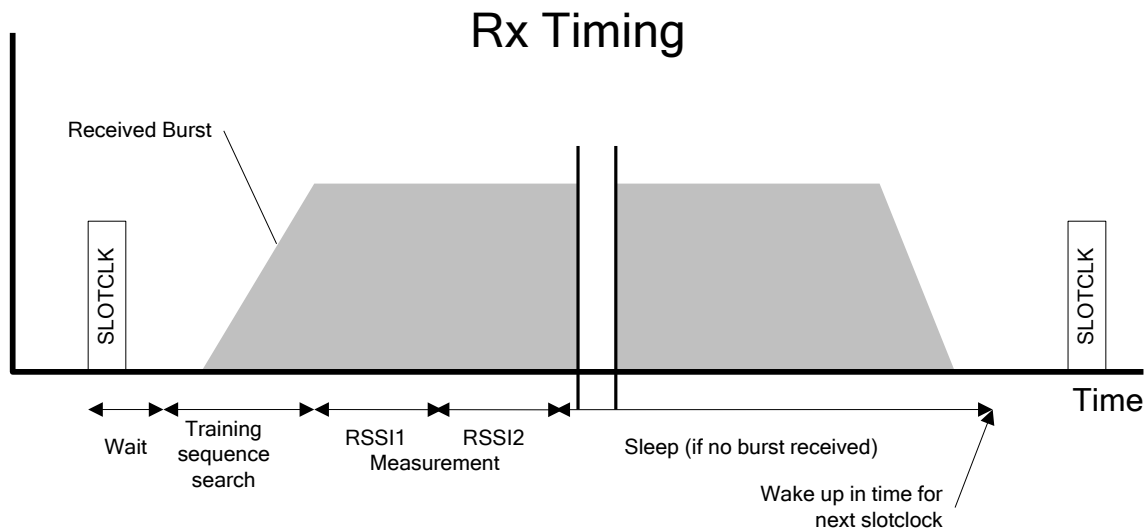


Figure 10 Rx Burst Timing

7.4.8 CSTDMA Threshold Measurement

The CMX7032/CMX7042 provides support for the CSTDMA mode of operation by measuring the signal level at the start of a slot period and aborting the transmission if a level over a user defined threshold is found. This fact is reported to the host in Status2 C-BUS register \$C5.

The CSTDMA threshold measurement window is setup by the Tx_Sequence Config task using timing values based on the number of 24kHz “tick” increments from the rising edge of the SLOTCLK pulse. During this period (if Tx_Status and CS-EN are both “active”) the CMX7032/CMX7042 will measure the RSSI level of the appropriate channel (set in C-BUS Mode register \$C1):

1. sample RSSI at 48k samples/sec
2. scale values to 0 - 127
3. apply the look-up table values
4. apply the CSTDMA_gain value
5. accumulate values over the defined period
6. compare the value with the value in the C-BUS CS-Threshold register \$C2 and abort the transmission if it is exceeded.

Note that the same lookup table is used for both CSTDMA Threshold measurement as the RSSI measurement.

7.4.9 RSSI Measurement

RSSI can not be determined directly from the baseband signal output of a limiter-discriminator device so the CMX7032/CMX7042 has two dedicated inputs (one for each Rx channel) for separate external analogue RSSI signals. Suitable outputs are available on many limiter-discriminator ICs, e.g. Philips SA605. The ADCs sample the signals during a user-defined window and apply an averaging algorithm and present the results in C-BUS registers \$BA and \$BB.

The RSSI measurement windows are set up using the RSSI_Window config task using timing values based on the number of 24kHz “tick” increments from the rising edge of the SLOTCLK pulse. During this period (if Tx_Status is not “active”) the device will:

1. sample RSSI at 48k samples/sec
2. scale values to 0 -127
3. apply the look-up table values

4. apply the `RSSI_gain` value
5. accumulate values over the defined period
6. output values to C-BUS registers

Note that the RSSI measurements on each RF channel run consecutively and that the C-BUS registers are updated at the end of the `RSSI_2` measurement window.

7.4.10 RSSI Calibration

The RSSI signal should be approximately logarithmically scaled (i.e. a nearly linear relationship between voltage and signal strength in dBs). In order to reduce the impact of noise, the CMX7032/CMX7042 averages over several samples, but to give a meaningful average, the samples must first be anti-logged. In order to correct any non-linearities in the RSSI response, and to set an offset for the anti-logging, the host must supply calibration data.

The calibration data is a 128-entry table. The entries correspond to equally-spaced voltages from 0V to 3.3V (nominal – see 8.1.3) applied to the RSSI inputs. To set up the table the host uses the `RSSI_Lookup` config task. See section 7.8 for details. The default values are shown in User Manual section 9.19.2.3.

7.4.11 ADCs

The first ADC is dedicated to RSSI measurements at times specified by the host μ C, see Section 7.4.8 and User Manual 9.19.2.4. The second ADC is available for user functions. The ADC runs continuously, the input selected by the ADC Input Select bits in the C-BUS Mode register, `$C1` and the results of the conversion are presented in ADC Data C-BUS register `$C9`. This register also includes a bit field to indicate which input was selected when this conversion was executed. The ADC input can be routed to either of the `RXnN` signals, the `SpareN` input, the RSSI inputs or the ADC inputs under host control. In normal operation it is expected to be routed to one of the ADC Inputs.

7.4.12 DACs

The four DACs can be updated in any combination using the `DAC_Write` data task. See User Manual 9.19. In addition, `DAC1` can be configured as a RAMDAC to output a series of values as part of the transmit timing sequence. The values and the rate at which they change are set-up using a Config mode task.

7.4.13 Interrupt Operation

The CMX7032/CMX7042 will issue an interrupt on the `IRQN` line when the `IRQ` bit (bit 15) of the Status register and the `IRQ Mask` bit (bit 15) are both set to 1. User Manual section 9.21 describes the situations which cause the `IRQ` bit to change from a 0 to a 1. The `IRQN` pin is an open collector output that requires an external pull-up resistor.

7.4.14 Deep Sleep Mode

“Deep Sleep” mode (entered through Configuration mode) puts the device into static state where all signal processing and clocks are stopped and only the C-BUS remains active. In this mode, the `IDD` drops to the lowest level, as specified in section 8.1.3, and is thus suitable for use on Aids to Navigation, or other implementations where it is feasible for the host μ C to switch off the CMX7032/CMX7042 at known times. See User Manual section 9.19.2.11.

7.5 Operation of Tasks

This section describes modem and data tasks. Understanding their operation requires knowledge of the internal buffering of the CMX7032.

Tx and Rx data is double buffered. Each Tx or Rx channel has a Data Buffer. The host μ C accesses the C-BUS registers and the modulator/demodulator directly accesses the Data Buffers. Tasks transfer data between the buffers and the C-BUS registers.

7.5.1 Tx Task Operation

Typical stages of Tx task operation are depicted in Figure 11 and occur as follows:

1. The host writes up to 4 words of data for transmission into the Write Data C-BUS registers.
2. The host writes the Command register, specifying a data task. This results in transfer of the data from the Write Data registers into the Tx Data Buffer.
3. Steps 1 and 2 can be repeated to load the Tx Data Buffer with a large block of data.
4. A Modem task can then be used to instruct the Tx Modulator to transmit the data in the Data Buffer. This causes the content of the Tx Data Buffer to be coded and CRC'd (if in burst mode) and transmitted to the MOD1 and MOD2 output pins.
5. Once the system is up and running any modem task may potentially take some time to execute as it may have to wait for the previous task to complete.

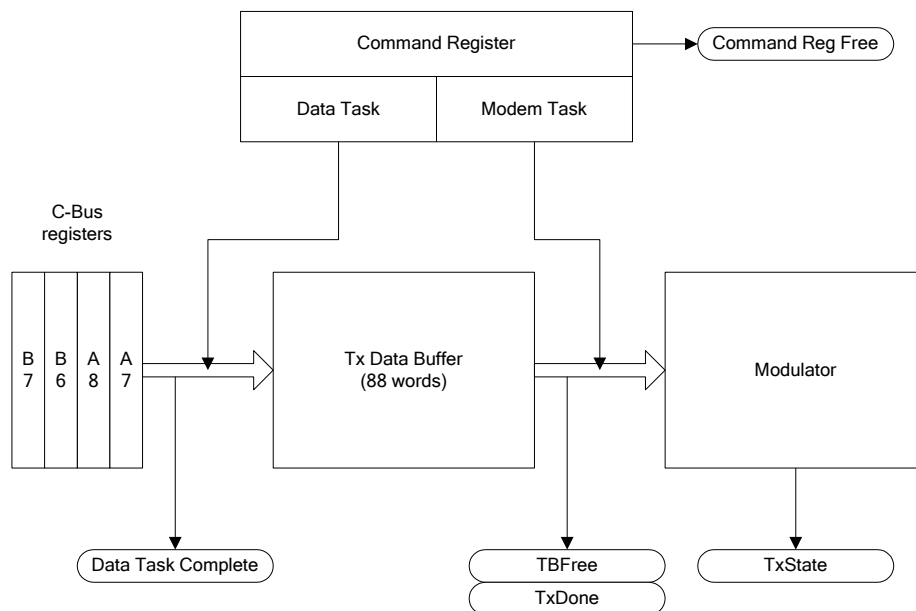


Figure 11 Tx Task Operation

7.5.2 Rx Task Operation

Typical stages of Rx task operation are depicted in Figure 12 and occur as follows:

1. A Modem task instructs the CMX7032/CMX7042 to transfer data from the Rx1/2 Modem to the Rx1/2 Data Buffer.
2. The host writes to the Command register, specifying a Data task. This results in transfer of up to 4 words from the Rx1/2 Data Buffer into the Read Data C-BUS registers, from where it can be read by the host μ C.
3. Steps 2 can be repeated (with host μ C reads of the Read Data registers) to transfer a large block of data from the Rx1/2 Data Buffer to the host μ C.
4. Once the system is up and running any modem task may take some time to execute, as it will need to wait for the data to be available from the modem.

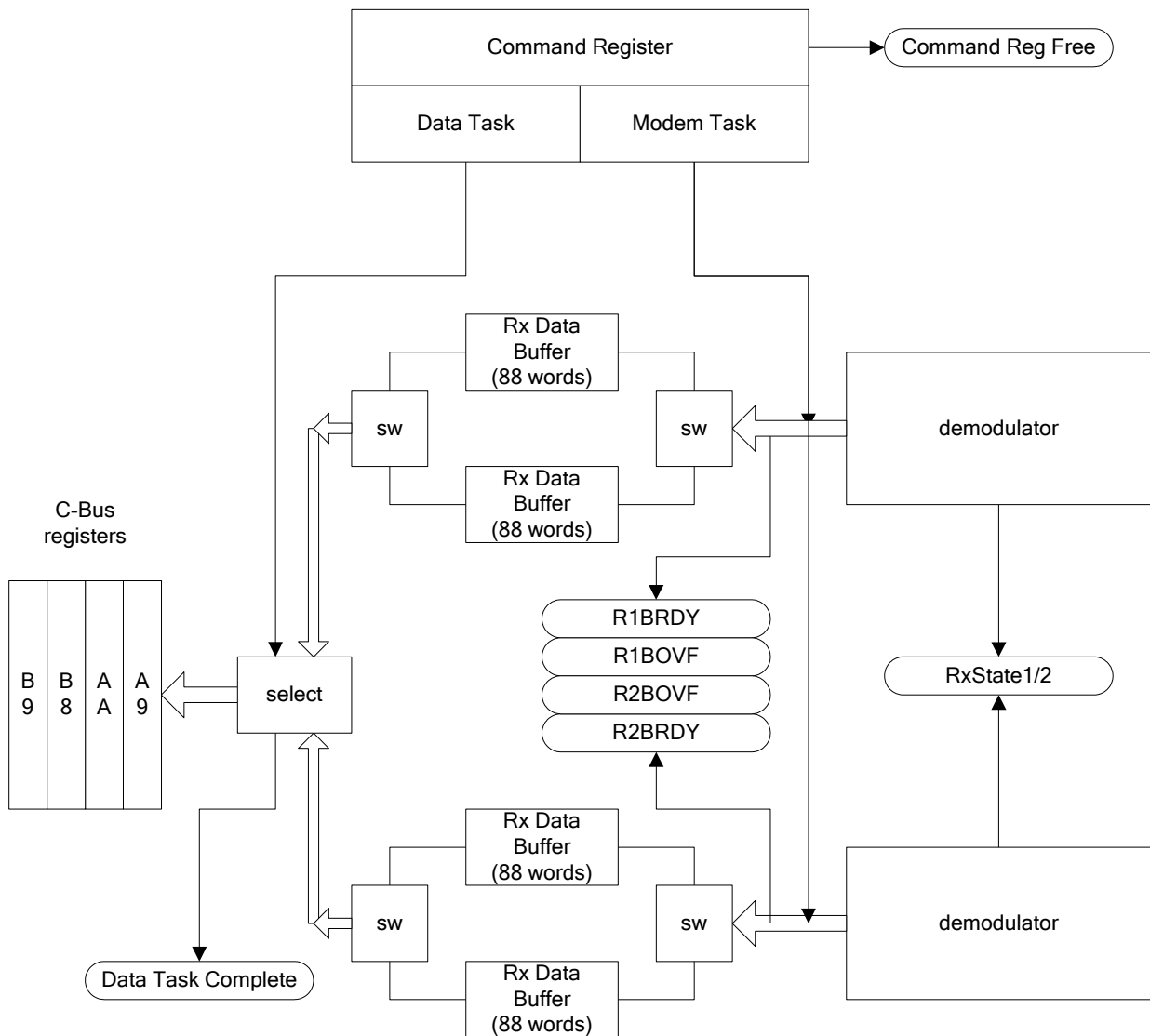


Figure 12 Rx Task Operation

7.5.3 Registers and Buffers for Tx/Rx Tasks

- **Command register:** contains Data and Modem task fields as described above.
- **Status register:** contains bits that indicate when tasks are complete, which can interrupt the host:
 - Command Reg Free
 - TBFREE
 - R1BRDY
 - R2BRDY
 - TxDONE
 - Rx1BOVF
 - Rx2BOVF
 - Config Task Complete
 - Data Task Complete
- **Interrupt Mask:** Host write register to specify which status bit can cause an interrupt.
- **Write Data registers 0-3:** Contain data written from host μ C to transmit via the Tx Modulator.
- **Read Data registers 0-3:** Contain data received from Rx Demod for host μ C to read.
- **Tx Data Buffer:** The Tx Data is double buffered, which allows the host μ C to write to the Tx Data Buffer while the modulator is simultaneously transmitting data it reads from the Tx Modem Buffer. Each buffer is capable of holding one full (5-slot) AIS message.
- **Rx1/2 Data Buffer:** The demodulator writes data directly into these internal buffers. There are two buffers per channel which are used alternately every time a new burst is detected. This allows the host μ C to read from one buffer while reception continues to fill the other. Each buffer is capable of holding a full (5-slot) AIS message.

7.5.4 Write Data Registers

An array of four, 16 bit, C-BUS write registers form the Write Data C-BUS registers.

The device reads and acts upon the content of these data write registers as instructed by the Data Task bits of the Command register while in transmit mode. Generally, they may be written at any time by the host μ C with no effect on internal device operation. When a "Data task" is issued the Data registers will be read by the device and so should not be modified by the host μ C until the Data Task complete bit is set in the Status register.

Data tasks access the registers as a number of words (1 to 4) or as a number of bits (1 to 16 in \$A7), however if a bit-format Data Task is used it must be the final data task issued in a multi-data transfer from the host. The next data task issued should be a DataWordResetN_Tx or DataBitResetN_Tx to re-initialise the internal data buffer pointers (a bit-format task is usually used as the last transfer of a data block that is not a complete number of words in length).

Word-format:

Bit:	15	14	13	12	11	10	9	8	7	6	5	4	3	2	1	0
Register \$A7	Data write from host μ C to device word 1(MSB sent first)															
Bit:	15	14	13	12	11	10	9	8	7	6	5	4	3	2	1	0
Register \$A8	Data write from host μ C to device word 2(MSB sent first)															
Bit:	15	14	13	12	11	10	9	8	7	6	5	4	3	2	1	0
Register \$B6	Data write from host μ C to device word 3(MSB sent first)															
Bit:	15	14	13	12	11	10	9	8	7	6	5	4	3	2	1	0
Register \$B7	Data write from host μ C to device word 4(MSB sent first)															

Bit-format:

Bit:	15	14	13	12	11	10	9	8	7	6	5	4	3	2	1	0
Register \$A7	Data write from host μ C to device bits 0-15, (bit 15 transmitted first)															

7.5.5 Read Data Registers

An array of four, 16 bit, C-BUS read registers form the Read Data C-BUS registers.

The device writes into these registers as instructed by the Data Task bits of the Command register while in receive mode. The host μ C can read these registers at any time except while a data task is in progress, in which case the host μ C should wait until the Data task complete bit is set in the Status register.

Data tasks access the registers as a number of words (1 to 4) or as a number of bits (1 to 16 in \$A7), however if a bit-format Data task is used it must be the final data task issued in a multi-data transfer to the host. The next data task issued should be a DataWordResetN_Tx1/2 or DataBitResetN_Tx1/2 to re-initialise the internal data buffer pointers (a bit-format task is usually used as the last transfer of a data block that is not a complete number of words in length).

Word-format:

Bit:	15	14	13	12	11	10	9	8	7	6	5	4	3	2	1	0
Register \$A9	Data read from device to host μ C word 1 (MSB Rx first)															
Bit:	15	14	13	12	11	10	9	8	7	6	5	4	3	2	1	0
Register \$AA	Data read from device to host μ C word 2 (MSB Rx first)															
Bit:	15	14	13	12	11	10	9	8	7	6	5	4	3	2	1	0
Register \$B8	Data read from device to host μ C word 3 (MSB Rx first)															
Bit:	15	14	13	12	11	10	9	8	7	6	5	4	3	2	1	0
Register \$B9	Data read from device to host μ C word 4 (MSB Rx first)															

Bit-format:

Bit:	15	14	13	12	11	10	9	8	7	6	5	4	3	2	1	0
Register \$A9	Data read from device to host μ C bits 0-15, (bit 15 received first)															

7.5.6 Data Tasks

Data tasks are used to:

- Load data from the Write Data registers into Data Buffers while in normal or configuration modes.
- Load data from Data Buffers into the Read Data registers while in normal mode.
- Load data from the Data Buffers to the DACs.
- Read, write or operate subsystems by passing data using the Write Data and Read Data registers.

Table 4 Data Tasks

Name	Description
NULL	Null system task – takes no action.
DataWordReadN_Rx1	<ul style="list-style-type: none"> • Copy N words (1 to 4) from Rx1 data buffer to C-BUS Read Data registers. • Increment Rx1 data buffer pointer.
DataWordReadN_Rx2	<ul style="list-style-type: none"> • Copy N words (1 to 4) from Rx2 data buffer to C-BUS Read Data registers. • Increment Rx2 data buffer pointer.
DataWordWriteN_Tx	<ul style="list-style-type: none"> • Copy N words (1 to 4) from Write Data registers to Tx data buffer. • Increment data buffer pointer.
DataWordResetN_Rx1	<ul style="list-style-type: none"> • Reset Rx1 data buffer pointer to the top. • Copy N words (1 to 4) from Rx1 data buffer to Read Data registers. • Increment data buffer pointer.
DataWordResetN_Rx2	<ul style="list-style-type: none"> • Reset Rx2 data buffer pointer. • Copy N words (1 to 4) from Rx2 data buffer to Read Data registers. • Increment data buffer pointer.
DataWordResetN_Tx	<ul style="list-style-type: none"> • Reset Tx data buffer pointer. • Copy N words (1 to 4) from Write Data registers to Tx data buffer. • Increment the data buffer pointer.
DataBitReadN_Rx1	<ul style="list-style-type: none"> • Copy N bits (1 to 15) from Rx1 data buffer to Read Data register 0. • Increment the data buffer pointer.
DataBitReadN_Rx2	<ul style="list-style-type: none"> • Copy N bits (1 to 15) from Rx2 data buffer to Read Data register 0. • Increment data buffer pointer.
DataBitWriteN_Tx	<ul style="list-style-type: none"> • Copy N bits (1 to 15) from Write Data register 0 to Tx data buffer. • Increment data buffer pointer.

Name	Description
DataBitResetN_Rx1	<ul style="list-style-type: none"> Reset Rx1 data buffer pointer Copy N bits (1 to 15) from Rx1 data buffer to Read Data register 0 Increment the data buffer pointer
DataBitResetN_Rx2	<ul style="list-style-type: none"> Reset Rx2 data buffer pointer Copy N bits (1 to 15) from Rx1 data buffer to Read Data register 0 Increment data buffer pointer
DataBitResetN_Tx	<ul style="list-style-type: none"> Reset Tx data buffer pointer Copy N bits (1 to 15) from Write Data register 0 to Txdata buffer Increment data buffer pointer
DAC_Write	Interprets each of the first 1 to 4 words in the Write Data registers as a write command for the Auxiliary DACs

7.5.7 Modem Tasks and Codes

Modem tasks transmit data on the MOD1 and MOD2 output pins or receive and recover data from the RXnN pins. Modem tasks also coordinate data transfer between the Data Buffers and their respective Modems.

Note that for receive tasks a 1 or 2 at the end of the task name refers to the Rx channel which is being addressed.

Table 5 Modem Tasks

Name	Description		
NULL	No command – takes no action		
AbortRx1	Abort the ongoing modem task on Rx1, Rx2 or Tx		
AbortRx2			
AbortTx			
ECM	Enter Configuration mode		
Rx Tasks			
Rx Raw bit = 0			
RXB1	Rx Burst: Wait for a training sequence, then demodulate, decode and store the burst		
RXB2			
	RXR1	Demodulate and store N words. N is defined by Rx data count register	
	RXR2		
Tx Tasks			
Tx Raw bit = 0			
TXB	Code and transmit AIS message using contents of data buffer. Start on next SLOTCLK	TDBS	Transmit contents of data buffer. Start on next SLOTCLK
		TDB	Transmit N data bits from the Tx mod buffer. Start as soon as modulator is free
		PRBS	Transmit pseudorandom bit sequence
		TRW	Repeatedly transmit one word
		HCT	Hardware Control

7.6 Transmission format

The CMX7032/CMX7042 is capable of transmitting AIS data in either raw mode or burst mode. AIS Carrier Sensing (CSTDMA) for Class B systems is supported.

In AIS raw mode, data is passed directly from the Tx Data Buffer to the GMSK modulator, so the μC will be responsible for sending any necessary training sequences and performing HDLC processing and NRZI coding.

In AIS burst mode, the CMX7032/CMX7042 uses an internal message buffer to assemble an entire message (up to 5 slots) to which it automatically adds the training sequence, start/stop flags, CRC, bit stuffing and NRZI coding prior to transmission.

After setting up the appropriate registers, transmission is initiated by issuing a Tx Burst or Tx Raw task.

7.6.1 Transmit Tasks

- **AbortTx:**
This causes the current task on the Tx channel to abort. It also clears the Tx modem buffer.
- **TXB: Transmit AIS Burst**
This task can only be executed if the Tx Raw bit (bit 5 in the command register) is cleared to 0. This causes the CMX7032/CMX7042 to take the contents of the Tx Data buffer, apply AIS data coding and transmit the resulting AIS message. The transmit sequence will start on the next SLOTCLK edge.

The following four transmit tasks can only be executed if the Tx Raw bit is set to 1:

- **TDBS: Transmit Data Buffer on SLOTCLK**
This causes the CMX7032/CMX7042 to transmit the data buffer contents using AIS modulation. No data coding is applied, the Transmit Sequence will start on the next SLOTCLK edge.
- **TDB: Transmit Data Buffer**
This causes the CMX7032/CMX7042 to transmit the data buffer contents using AIS modulation. No data coding is applied. The data will be transmitted as the modulator is available (Transmit Sequence is ignored).
- **PRBS: Transmit pseudorandom bit sequence**
This task causes the CMX7032/CMX7042 to transmit an internally generated pseudorandom bit sequence. The sequence is 511 bits in length, but will repeat indefinitely until aborted using the AbortTx task, (Transmit Sequence is ignored).
- **TRW: Transmit Repeated Word**
This task causes the CMX7032/CMX7042 to repeatedly transmit the first word currently in the data buffer. Transmission will start immediately and will continue until an Abort Tx task is issued, (Transmit Sequence is ignored).
- **HCT: Hardware Control Task**
Allows manual control of ancillary hardware functions.

7.6.2 AIS Burst Mode Transmit

In AIS burst mode, the CMX7032/CMX7042 responds to a TXB task by performing bit stuffing, NRZI encoding and the addition of training sequence, start/stop flags and CRC checksum as required by AIS. Note: in AIS burst mode, the data words are automatically transmitted *least significant bit first* as required by the AIS specification.

A number of error conditions are checked for during AIS burst mode transmit, each of which causes transmission to be aborted and a Tx Done interrupt to be generated. The associated Tx states are:

- **Tx aborted, message too long:**
This occurs if the internal message buffer is not big enough for the HDLC coded data (should not happen in normal operation, as the message buffer is big enough for a 5-slot message). This condition requires the μ C to issue a AbortTx task.
- **Tx aborted, carrier sensed:**
This occurs if the CSTDMA mechanism is enabled and the CS measurement has exceeded the CS Threshold. The data is retained so that it can be re-transmitted in a subsequent slot (by issuing another TXB task) should the host request it. The slot selection should follow the rules given in the relevant international standard.
- **Tx aborted, buffer not ready:**
This occurs in burst mode if the internal data coding has not completed before the timing_start value expires.

7.6.3 Transmit Example

The following detailed example describes the process of loading and transmitting an AIS message in Burst mode.

Table 6 AIS Burst Transmit Example

	Description	Cmd Reg Free	Data Task	TBFREE	TxDONE
1.	The host should ensure that the TBFREE, Data Task and CmdReg Free bits are set.	1	1	1	1
2.	The host loads the first N(typically 4) data words into the write data registers.	1	1	1	1
3.	The host issues a DataWordResetN_Tx Data Task.	0	1	1	1
4.	Device reads the Command register & notes task types.	1	0	1	1
5.	Device carries out the data task by copying the N data words as the first N data words of the data buffer.	1	1	1	1
6.	The steps above may be repeated (Using DataWordWriteN_Tx tasks) to load many words until the data buffer contains enough data to carry out the desired modem task.				
7.	The host writes a TXB task to the Command register to start the Tx process.	0	1	1	1
8.	Device reads the Command register.	1	1	0	1
9.	Device codes the data. Tx state changes from Idle to Tx Pending	1	1	1	0
10.	When the transmit point arrives (SLOTCLK), the Tx State changes to <i>Tx in progress</i> and the TxSequence is activated.				
11.	The Tx Modem Buffer will gradually empty as the Tx Modulator continues transmitting.	1	1	1	1
12.	When the transmission ends the TxDone bit in the Status register will be set, generating an interrupt if enabled. The host should then check the Tx state bits in the Status2 register to see if transmission was successful.	1	1	1	1

Note that if CSTDMA mode is active and a carrier is sensed in the selected channel at the beginning of the requested transmit slot, the transmission is aborted (Tx State changes to *Tx aborted, carrier sensed*) – this causes a TxDone interrupt to be generated, however the data in the Tx Data Buffer is retained, so the μ C can choose to issue an AbortTx task and clear the Tx Data Buffer, or reschedule the transmission in another slot.

7.6.4 AIS Raw Mode Transmit

In AIS raw mode, transmit data is passed directly from the Tx Data Buffer to the GMSK modulator. The μ C must calculate the entire transmitted message including the training sequence, HDLC processing (start/stop flags, bit stuffing, and CRC insertion) and NRZI coding. Note: In AIS raw mode, data words written to the CMX7032/CMX7042 are transmitted *most significant bit first*. The AIS message structure, however, requires each message byte to be output *least significant bit first*. The μ C must therefore ensure that during the process of HDLC processing and NRZI coding that the resulting data bytes are correctly reversed.

7.6.5 Transmitter Timing Control

The CMX7032/CMX7042 can be configured to control the timing of transmission events whenever a Tx Burst Modem task is executed. This includes the enabling of external RF circuits (e.g. synthesisers and power amplifier), as well as the time at which internal data modulation begins. The flexibility of this timing control allows the CMX7032/CMX7042 to be simply adapted to the characteristics of the RF transmit circuits. The control of the external RF transmit circuits is performed using the TXENA pin and the DAC1 ramping function.

A typical AIS transmission is shown in Figure 13. The CMX7032/CMX7042 starts timing relative to the rising edge of SLOTCLK. At the end of a transmission, a sequence of “power-down” actions is performed which are timed relative to the last message bit having been modulated, shown as point B in Figure 13. In this way differences in message length due to bit stuffing are automatically accommodated.

The relative timings of the transmit sequence events are configured as a table of values that are loaded into the CMX7032/CMX7042 using a Config Task operation (User Manual section 9.19.2.7) – this operation **must** be performed before any transmissions are attempted. Typically, this will only need to be done once as part of an initialisation routine. All timings are measured in units of “ticks”, each of which lasts for 1/24000Hz ($\approx 41.666\mu\text{s}$). There are 2.5 ticks per modulated bit.

The transmit sequence consists of two initial setting values followed by a number of different event types. These are:

- Initial delay from the SLOTCLK edge.
- Initial state of the TXENA pin.
- Changes to the external hardware, via the TXENA pin (typically used to turn the Tx on/off) and the DAC1 ramp up/down.
- Trigger for the start/end of the CSTDMA sensing period (if CSTDMA is enabled).
- Timing triggers for the start and end of the data modulation.
- A dummy event in case any of the above are not required in the application.

The transmit event sequence is programmed using a Config task, see User Manual section 9.19.2.7.

Table 7 Tx Sequence Events

b3	b2	b1	b0	EVENT ID	DESCRIPTION
0	0	0	0	dummy	Do nothing
0	0	0	1	CSTDMA_START	Defines the start of the CSTDMA sensing window
0	0	1	0	CSTDMA_END	Defines the end of the CSTDMA sensing window
0	0	1	1	Tx_en_hi	Pin TXENA is set high
0	1	0	0	RAMDAC_UP	AuxDAC1 will start executing a Ramp up
0	1	0	1	MODULATE_START	Defines the start of data modulation
0	1	1	0	MODULATE_END	Delay from the end of modulation (based on the last data bit loaded into modem - includes a 30 tick delay for the internal filters)
0	1	1	1	RAMDAC_DOWN	AuxDAC1 will start executing a Ramp down
1	0	0	0	Tx_en_lo	Pin TXENA is set low
1	0	0	1	dummy	Do nothing

When calculating the MODULATE_START timing value, the delay through the CMX7032/CMX7042's internal transmit filters and any external components must be taken into account to ensure that data bits appear on-air at the correct time (the filter delays are specified in section 8.1.4. The MODULATE_END event has an in-built delay of 30 ticks to allow the last bit to make its way out of the transmit filter and external components. Allowance must be made for this built-in delay, as well as for the delay through any external components, when calculating the timing of the transmit power down events.

Further explanation of Figure 13 is given in Table 8 and Table 9 (the order of events and delay timings shown are for illustrative purposes only).

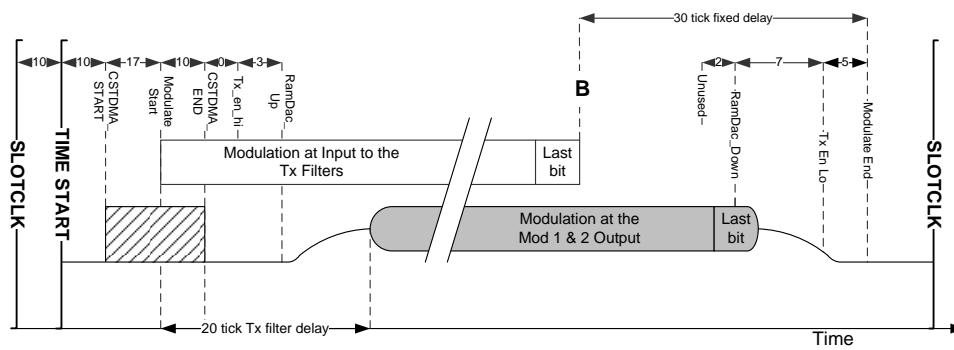


Figure 13 Typical AIS Transmission

Table 8 Example Tx Event Sequence Setup (Class B)

Parameter	Event ID	delay	total	Explanation
CSTDMA_START	1	10	20	Insert 10 tick delay then start monitoring the chosen Rx input for a signal which may cause an abort (if CSTDMA enabled).
MODULATE_START	5	17	37	Insert 17 tick delay then start feeding data to the transmit modulator and filters (this allows for the 20 tick storage delay in the Tx filters so that modulated data appears at the end of the RAMDAC ramp_up period – tick 47).
CSTDMA_END	2	10	47	Insert 10 tick delay then stop CSTDMA monitoring.
Tx_en_hi	3	0	47	Set TXENA line high (assuming not aborted)
RAMDAC_UP	4	3	50	Insert 3 tick delay then initiate the RAMDAC ramp-up (for AIS, the transmitted signal will be carrier only at this point)

At this point during a transmission the CMX7032/CMX7042 feeds the entire message to the transmit modulator bit-by-bit. All subsequent transmit events are timed relative to the end of the last message bit, indicated by the MODULATE_END event.

RAMDAC_DOWN	7	0	0	Initiate the RAMDAC ramp-down immediately
Tx_en_lo	8	7	7	Insert 7 tick delay (to allow RAMDAC to fully ramp down) then set the TXENA line low.
MODULATE_END	6	5	12	Allows for process delays.

Notes:

1. It is essential that the CSTDMA, and MODULATE START events precede their associated END events, otherwise undesirable results will be obtained.
2. MODULATE_START must appear in the first group of timed events (table entries 1–5), MODULATE_END must appear in the final group (table entries 6-8). It is feasible to place the RAMDAC_DOWN task before the MODULATE_END task.

Assuming that the timing_start value has been set to 10 (see User Manual section 9.19.2.7) and the RAMDAC is set to its default values (312us), this sequence approximates to the Class B CSTDMA timing with ideal hardware (RAMDAC starts 20bits / 50 ticks after SLOTCLK).

Table 9 Example Tx Event Sequence Setup (Class A)

Parameter	Event ID	delay	total	Explanation
null	0	0	0	Do nothing
MODULATE_START	5	1	1	Insert 1 tick delay then start feeding data to the transmit modulator and filters (this allows for the 20 tick storage delay in the Tx filters so that modulated data appears at the end of the RAMDAC ramp_up period – tick 20).
null	0	0	1	Do nothing
Tx_en_hi	3	0	1	Set TXENA line high
RAMDAC_UP	4	3	4	Insert 3 tick delay then initiate the RAMDAC ramp-up (for AIS, the transmitted signal will be carrier only at this point)

At this point during a transmission the CMX7032/CMX7042 feeds the entire message to the transmit modulator bit-by-bit. All subsequent transmit events are timed relative to the end of the last message bit, indicated by the MODULATE_END event.

RAMDAC_DOWN	7	2	0	Initiate the RAMDAC ramp-down immediately
Tx_en_lo	8	7	9	Insert 7 tick delay (to allow RAMDAC to fully ramp down) then set the TXENA line low.
MODULATE_END	6	5	12	Allows for process delays.

Assuming that the timing start value has been set to 1 (see User Manual section 9.19.2.7) and the RAMDAC is set to its default values (312us), this sequence approximates the Class A timing with ideal hardware (RAMDAC starts 2 bits / 4 ticks after SLOTCLK).

7.6.6 Modulation Formats

The CMX7032/CMX7042 can be configured to drive either a two-point VCO and Reference modulator or an I/Q modulator by selecting the appropriate Config task (see User Manual section 9.19.2.1).

Typical Tx spectrum plots for both modes are shown below (generated by modulating a signal generator with the outputs of MOD1 and MOD2 and then analysing the signal on a spectrum analyser). Note that these plots represent the steady-state transmission and so are shown with the Class A and Class B-SOTDMA spectrum mask (-70dBc). The Class B-CSTDMA standard specifies a slotted transmission with a mask at -60dBc.

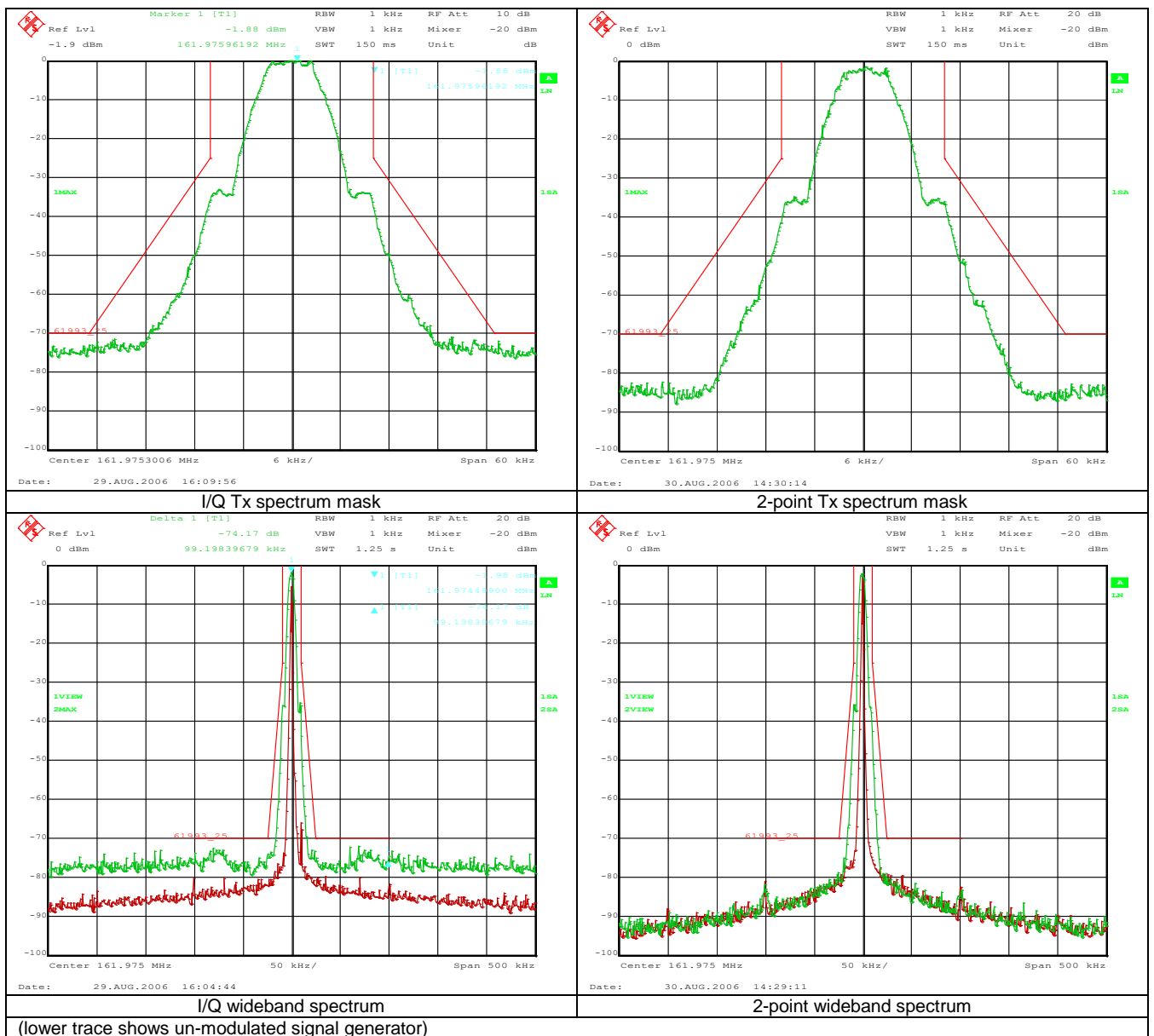


Figure 14 Tx Spectrum Masks

7.7 Reception

The CMX7032/CMX7042 has two receive channels (Rx1 and Rx2) which are capable of receiving AIS data in either *raw* mode or *burst* mode, and either of which may be configured for DSC reception (FSK 1200 baud) in *raw* or *formatted* mode. The Rx1 (Input1) and Rx2 (Input2) channels can be configured and operated independently.

7.7.1 AIS Burst Mode Receive

The operation of receive channel Rx1 in AIS burst mode is described below (the operation of receive channel Rx2 in AIS burst mode is essentially identical to that of Rx1).

In AIS burst mode, once an RXB1 task has been issued, the Rx1 channel state changes to *Receiving* when a valid training sequence and start flag are detected. The CMX7032/CMX7042 then performs NRZI decoding and bit de-stuffing on the received data stream, and calculates the CRC checksum.

Note: in AIS burst mode, the data words are automatically reversed so that they are presented to the host *most significant bit first*. At the end of the message the receive channel state changes from *Receiving* to either *Idle* or one of four error states (below). At the same time, an “Rx State Change” interrupt is flagged.

The four error conditions that the CMX7032/CMX7042 can detect in a received message (in burst mode) are:

- **Message too long or missing end flag**
This indicates that the received message, after bit de-stuffing, is too long to fit into the internal message buffer. This condition could be caused by a missing or corrupted end flag.
- **CRC mismatch**
This indicates that the received frame checksum does not match that calculated by the CMX7032/CMX7042, most probably as the result of one or more message bits being corrupted.
- **New frame header found when message buffer full**
This happens if the internal message buffers are still in use when another message arrives. This is caused by a failure of the host μ C to read the received messages out quickly enough.
- **End flag not on byte boundary**
This indicates that the received message, after bit de-stuffing, is not a multiple of 8 bits. Assuming that the message was transmitted correctly, probably caused by an end flag being missed due to noise, and a subsequent message’s start flag being mis-identified as the expected end flag or a bit error causing the bit de-stuffer to fail.

If any one of these error conditions is detected in a received message the CMX7032/CMX7042 discards the message data.

Messages with a CRC error may be reported back to the host if the appropriate bit in the System Options Config register has been set. The CRC error state is reported in the Status2 register. The host should implement its own validity checks on messages received with a CRC error.

If a message with no error is found, the Rx1 channel state changes from *Receiving* to *Idle* (causing an “Rx State Change” interrupt); the decoded message, comprising the burst information, three training sequence bytes, start flag, message payload, CRC bytes and end flag, is then copied to one of the CMX7032/CMX7042’s internal message buffers. When its turn comes around to be read out, it is copied to the Rx1 Data Buffer and an “R1BRDY” interrupt is generated. At this point the host can issue Read Data tasks to read back the burst and its associated parameters. Note: a new message will only generate an “R1BRDY” interrupt when any previous message has been read out from the Rx1 Data Buffer in its entirety.

The Rx1 channel state will stay in *Idle* until another RXB task is issued.

For any particular message, the three received (NRZI-decoded) training bytes in AIS burst mode will all be either \$55 or \$AA depending on the configuration of the remote transmitter, although the first few bits may be corrupted depending on the power-up characteristics of the remote transmitter and local receiver circuits.

The host must read the Rx data buffers sufficiently quickly to avoid an overflow condition occurring. This is only likely in a very heavily loaded AIS network. The worst case would involve the reception of a 5-slot burst followed by a single slot and then a third burst in contiguous slots. In this case the host would need to read the entire 5-slot burst out of the Rx Data buffer during reception of the single slot burst, such that the buffer is then available for the third burst in the sequence. This is further compounded by the need to monitor both Rx channels. Single slot AIS messages contain 168bits of data, which can be read by the host in 3 x C-BUS RxData Read tasks. The maximal length 5-slot message contains upto 840 bits which can be read by the host in 15 x C-BUS RxData Read tasks during the 26ms of a single slot. This implies that the C-BUS must be running at a speed greater than 128kHz.

7.7.2 AIS Raw Mode Receive

The operation of receive channel Rx1 in AIS raw mode is described below (the operation of receive channel Rx2 in AIS raw mode is essentially identical to that of Rx1, but is controlled through its own set of tasks). Note that both channels operate in either Raw or Burst mode, it is not possible to select AIS Raw mode on one channel and AIS Burst mode on the other.

In AIS raw mode, the Rx RAW bit in the Command register, \$C8 must be set. The CMX7032/CMX7042 then searches the Rx1 channel for a header (training + start flag sequence) to detect the start of a message, then transfers the three training bytes and the start flag to the Rx1 Data buffer. The number of subsequent words transferred to the buffer is set by the value in the RxData Count register, which is read whenever the RXR1 task is executed. R1BRDY bit will be set when the programmed number of words have been transferred. The data can then be read back using Data Read tasks. A new RXR task should then be executed if it is required to recover further data words. It is the responsibility of the μ C to perform all HDLC/NRZI decoding, CRC checking and end flag detection. The demodulated byte stream continues even after the end of a message and in the absence of a received signal (the data will then be indeterminate. Reception can be halted by issuing an AbortRx1/2 task.

Bit ordering of the received data in AIS raw mode is the same as in Tx AIS raw mode, i.e. the received bits are packed into words *most significant bit first*. As the AIS message structure requires message bytes to be transmitted least significant bit first, the μ C must ensure that during the process of HDLC/NRZI decoding that the resulting data are correctly reversed. Depending on the configuration of the remote transmitter, one of four different types of NRZI encoded training bytes may be received – this situation arises because the AIS specification allows a transmitter's NRZI encoder to start in either of its two quiescent states, and the pre-NRZI encoded training bytes can also be one of two different types (\$55 or \$AA). Therefore, for any particular message, the three received training bytes in AIS raw mode will all be either \$33, \$66, \$99 or \$CC, although the first few bits may be corrupted depending on the power-up characteristics of the remote transmitter and local receiver circuits.

In AIS raw mode, whenever an Rx1 state reset is performed (by issuing an AbortRx1 task) the channel state becomes *Idle*. This changes to *Receiving* when the first valid training sequence and start flag have been detected, where it remains until another Rx1 state reset occurs.

In Raw mode a single Rx Data buffer is used, however it is 4 words longer than the equivalent Burst mode buffer as it does not contain any burst information.

7.7.3 DSC Receive

Either the Rx1 or Rx2 channel can be configured for DSC reception. The CMX7032/CMX7042 first applies 6dB/octave de-emphasis to the received signal, then demodulates the resulting 1200 baud FSK data. Only one of the channels at a time can be configured for DSC reception. DSC reception can operate in either Raw or Formatted mode. Formatted mode will significantly reduce the amount of data transferred to the host and simplify the host processing requirements. It is enabled by setting the Command register (\$C8) bit 6 to 1.

In Formatted mode, the CMX7032/CMX7042 modem will check the incoming bit stream for a valid sequence of phasing characters (3x Rx, 2x Dx+ Rx or Dx + 2 x Rx) and then report any correctly decoded characters to the host. The conversion from 10-bit "emitted signal" data to 7-bit characters as well as resolution of the time-diversity error detection is handled by the modem. The characters are packed into the 16-bit register as two 7 bit characters and an additional error indication bit (bits 15 and 7). In the case where an odd number of characters has been received, the unused field will be reported as '0000000' and the error bit set to 1.

In Raw mode, the received data is packed into 16-bit words for onward transmission to the μ C. The CMX7032/CMX7042 makes no attempt to perform dot pattern or data phasing detection, those functions must be performed by the host μ C. No attempt is made to correctly align data, it is simply packed into words (most significant bit first) as it arrives. To select Raw mode, Command register (\$C8) bit 6 should be cleared to 0.

On entering DSC mode, the buffers should be flushed before starting DSC data can be received. e.g. For Rx1 channel reception, the sequence of C-BUS commands would be:

\$C1 = \$0001 ; select DSC on Rx1
 \$C8 = \$0001 ; reset Rx1
 \$C8 = \$0042 ; enable Rx1, Formatted mode

The modem will not report valid data until it has correctly received the initial phasing sequence. Once the Phasing sequence has been detected, the modem’s internal DPLL bandwidth will be automatically reduced to improve the error performance. If one of the time-diversity received characters is in error, only the correct one will be reported. If both characters have errors, the last one received will be reported, with bit 7 (MSB) set. The characters reported back will correspond to the data sequence (see Figure 15)³:

A A B1 B2 B3 B4 B5 C D1 D2 D3 D4 D5 E1 E2 F1 F2 F3 G1 G2 G3 H I

Once the H and I fields have been received by the host, the modem will return to searching for the phasing sequence.

Dot Pattern	DX/RX	A	B	C	D	E	F	G	H	I
	Phasing Sequence	Format Specifier	Called Party Address	Category	Self-identification	Tele-command Message	Frequency Message	Frequency Message	End of Sequence	Error-check Character
	2 identical characters	5 characters	1 character	5 characters	2 characters	3 characters	3 characters	3 identical DX characters 1 Rx character	1 character	

Dot pattern	D	D	D	D	D	D	A	A	B	B	B	R	B	C	D	D	D	D	D	E	E	F	F	F	G	G	G	H	I	H	H
	X	X	X	X	X	X	X	X	X	A	A	B	B	B	B	C	D	D	D	D	E	E	F	F	F	G	G	G	H	I	H
	7	6	5	4	3	2	1	0			1	2	3	4	5	1	2	3	4	5	1	2	3	1	2	3	1	2	3		

Figure 15 DSC Format

³ The particular sequence shown here corresponds to the example given in ITU-R M.493-11. Different Telecommands will produce different sequences of varying lengths.

7.7.4 Receive Example

The following detailed example describes the process of receiving an AIS message in Burst mode, on Rx channel 1.

Table 10 AIS Burst Receive Example

	Description	Cmd Reg Free	DataTask	R1BRDY	Rx1B OVF
1	The host should ensure that the R1BRDY, Data task and CmdReg Free bits are set.	1	1	1	0
2	The host issues an RXB1 Modem task to receive an AIS burst. Note that the Rx Burst mode bit must be set.	0	1	1	0
3	Device executes the Modem task	1	1	0	0
4	Device waits for a training sequence and start flag, then begins to demodulate and decode data. The Rx state changes from Idle to receiving. If the burst has a correct CRC, the result is placed in the data buffer, if not, it is discarded. An Rx State Change is issued and the Rx state changes from receiving to idle, or an error condition.	1	1	1	0
5	The host issues a DataWordResetN_Rx1 Data Task .	0	1	1	0
6	Device reads the Command register and notes task types	1	0	1	0
7	Device carries out the Data task by copying the first N data words of the data buffer into the Read Data registers.	1	1	1	0
8	The above 3 steps can be repeated (Using DataWordN tasks) to read many words out of the device.				

7.7.5 Rx Tasks

- **AbortRx1/Rx2**

This causes the current task on the specified Rx channel to abort. It also clears the modem buffer of the specified Rx channel.

- **RxB1/2: Receive Burst on Rx1/Rx2**

This causes the specified Rx channel to wait for a good training sequence and start flag, then demodulate, decode and store the burst in its data buffer. See section 7.7.1 for a detailed discussion of AIS burst reception. The recovered data can be read by the host issuing an appropriate Data Task. The first four words of the buffer contain the burst information:

Word1 (\$A9) – Burst length in bytes.

Word2 (\$AA) – Value proportional to DC offset of Rx Input.

Word3 (\$B8) – Time of arrival, measured in 24kHz ticks from the SLOTCLK.

Word4 (\$B9) – Slot Counter at Time of Arrival

Note: RxB1/2 tasks can only be issued when the Rx Raw bit is cleared to 0.

- **RxR1/2: Receive N Raw words on Rx1/Rx2**

This causes the specified Rx channel to wait for a good training sequence and start flag, then demodulate and store N words in its Data buffer. N is specified in the Rx data count register. Burst information is NOT recorded in Raw mode, so there are an additional 4 words available in the Data Buffer compared with Burst mode operation.

Note: RxR tasks can only be issued when the Rx Raw mode bit is set to 1.

7.8 Configuration Tasks and Codes

The device executes Configuration Tasks while in configuration mode. (See section 7.4.2 for a description of device operating modes and how to change between them, and User Manual section 9.19 for more details on a particular task). These tasks and their data are used to configure device subsystems.

Data required for the Configuration Task is loaded into the device using a Data Task, which can be executed at the same time as the Configuration Task if it requires less than four words.

Table 11 Configuration Tasks

Configuration Task	Words	Description	User Manual section
NULL	0	Do nothing	
EXIT_CONFIG	0	Return to Normal mode	
Tx I/Q or 2-point	1	Sets MOD1 and MOD2 output format (2-point or I/Q)	9.19.2.1
Tx MOD levels	1	Sets output levels on MOD1 and MOD2 signal pins	9.19.2.2
RSSI_lookup	128	Loads RSSI calibration data	9.19.2.3
RSSI_window	2	Sets RSSI window timing and length	9.19.2.4
RSSI_gain	1	Sets RSSI gain factor	9.19.2.5
CSTDMA_gain	1	Sets CSTDMA gain factor	9.19.2.6
Tx_sequence	18	Loads Tx sequence commands	9.19.2.7
Sleep Timing	2	Sets Rx Sleep timing	9.19.2.8
RAMDAC load	3 or 67	Configures RAMDAC and loads data table	9.19.2.9
Device Ident	2	Reads back the Device Ident and Version number	9.19.2.10
Enter Deep Sleep	0	Enter Deep Sleep mode	9.19.2.11
Leave Deep Sleep	0	Leave Deep Sleep mode	9.19.2.12
Initialise Slot Counter	1	Set Slot counter to given value	9.19.2.13
System Options	1	Xtal frequency and CRC checking	9.19.2.14
Set ToA Compensation	1	Set Time of Arrival compensation value	9.19.2.15

7.9 RF Synthesiser (CMX7032 only)

The CMX7032 includes two Integer-N RF synthesisers, each comprising a divider, phase comparator and charge pump. The divider has two sets of N and R registers: one set can be used for transmit and the other for receive. The division ratios can be set up in advance by means of C-BUS registers. Then, a single C-BUS command will change over from the transmit to the receive division ratios, or vice versa, enabling a fast turnaround.

External RF components are needed to complete the synthesiser circuit. A typical schematic for one synthesiser, with external components, is shown in Figure 16.

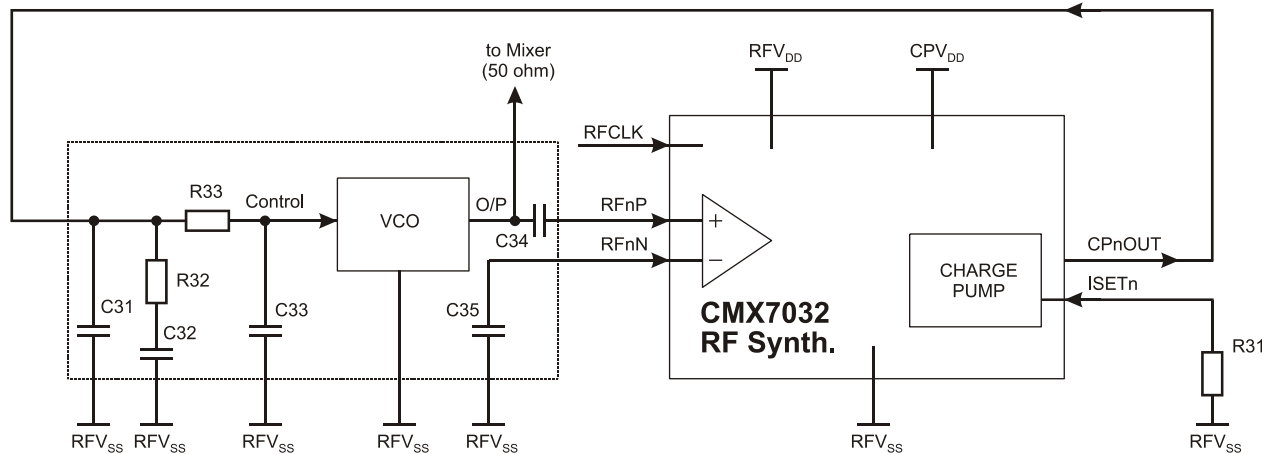


Figure 16 Example RF Synthesiser Components

R31	0 Ω	C31	820pF
R32	18k Ω	C32	8.2nF
R33	18k Ω	C33	680pF
		C34	1nF
		C35	1nF

Resistors $\pm 5\%$, capacitors and inductors $\pm 20\%$ unless otherwise stated.

Note: R31 is chosen within the range 0 Ω to 30k Ω and selects the nominal charge pump current.

It is recommended that C34 and C35 are kept close to the VCO and that the stub from the VCO to the CMX7032 is kept as short as possible. The loop filter components should be placed close to the VCO.

Both RF synthesisers utilise on-chip phase locked loops (PLLs) of the same design, together with external VCOs and loop filters. The VCOs need to have good phase noise performance although it is likely that the high division ratios used will result in the dominant noise source being the reference oscillator. The phase detectors are of the phase-frequency type with a high impedance charge pump output requiring just passive components in the loop filter. Lock detect functions are built in to each synthesiser and the status reported via C-BUS. A transition to out-of-lock can be detected and communicated via a C-BUS interrupt to the host μC . This can be important in ensuring that the transmitter cannot transmit in the event of a fault condition arising.

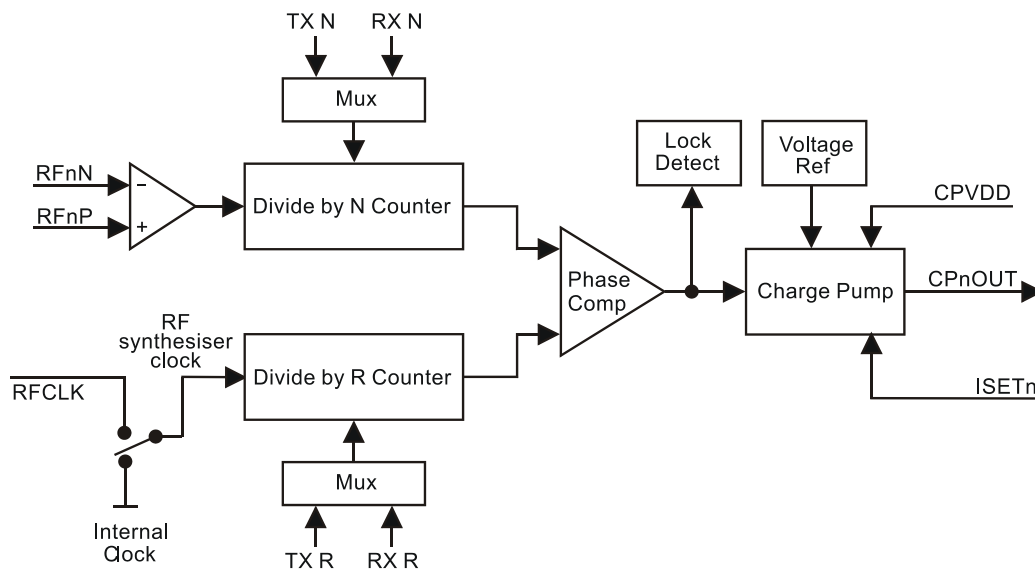


Figure 17 Single RF PLL Block Diagram

The two RF phase locked loops (PLLs) are programmable to any frequency in the range 100MHz to 600MHz. Figure 17 is a block diagram of one PLL. The RF synthesiser clock is the same 9.6MHz or 19.2MHz clock as is used by the baseband circuitry. The RF synthesiser clock is common to both PLLs. The charge pump supply (CPV_{DD}) is also common to both PLLs. The RF input pins (RFnN and RFnP), CPnOUT, ISETn and RFV_{SS} pins are PLL specific and designated as either RF1P, RF1N, CP1OUT, ISET1, RFV_{SS} or RF2P, RF2N, CP2OUT, ISET2, RFV_{SS} on the Signal List in section 3. The N and R values for Tx and Rx modes are PLL specific and can be set from the host μ C via the C-BUS. Various PLL specific status signals are also accessible via C-BUS. The divide by N counter is 20 bits; the R counter is 13 bits.

The PLL step size (comparison frequency) is programmable: to minimise the effects of phase noise this should be kept as high as possible. This can be set as low as 2.5kHz (for a reference input of 20MHz or less), or up to 200kHz – limited only by the performance of the phase comparator.

The frequency for each PLL is set by using two registers: an ‘R’ register that sets the division value of the input reference frequency to the comparison frequency (step size), and an ‘N’ register that sets the division of the required synthesised frequency from the external VCO to the comparison frequency. This yields the required synthesised frequency (F_s), such that:

$$F_s = (N / R) \times F_{REF} \quad \text{where } F_{REF} \text{ is the selected reference frequency}$$

Since the set-up for the PLLs takes 4 x “RF PLL Data register” writes it follows that, while updating the PLL settings, the registers may contain unwanted or intermediate values of bits. These will persist until the last register is written. It is intended that users should change the content of the “RF PLL Data register” on a PLL that is disabled, powersaved or selected to work from the alternate register set (“Tx” and “Rx” are alternate register sets). There are no interlocks to enforce this intention. The names “Tx” and “Rx” are arbitrary and may be assigned to other functions as required. They are independent sets of registers, one of which is selected to command each PLL by changing the settings in the RF PLL Control register, \$B3.

Other parameters for the PLLs are the charge pump setting (high or low). Two levels of charge pump gain are available to the user, to facilitate the possibility of locking at different rates under program control. A current setting resistor (R31) is connected between the ISETn pin (one for each PLL system) and the respective RFV_{SS}. This resistor will have an internally generated band gap voltage expressed across it and may have a value of 0 Ω to 30k Ω , which (in conjunction with the on-chip series resistor of 9.6k Ω) will give charge pump current settings over a range of 2.5mA down to 230 μ A (including the control bit variation of 4 to 1). The value of the current setting resistor (R31) is determined in accordance with the following formulae:

gain bit set to 1: $R_{31} \text{ (in } \Omega) = (24/I_{cp}) - 9600$
 gain bit cleared to 0: $R_{31} \text{ (in } \Omega) = (6/I_{cp}) - 9600$
 where I_{cp} is the charge pump current (in mA).

Note that the charge pump current should always be set to at least 230 μ A.
 The 'gain bit' refers to either bit 3 or bit 11 in the RF PLL Control register, \$B3.

For optimum performance, a common master clock should be used for the RF synthesisers (RFCLK) and the baseband sections (Main and Auxiliary System Clocks). Using unsynchronised clocks can result in spurious products being generated in the synthesiser output and in some cases difficulty may be experienced with obtaining lock in the RF synthesisers. Typical external components for a complete RF synthesiser are shown in Figure 16.

Lock Status

The lock status can be observed by reading the RF PLL Status register, \$B4, and the individual lock status bits can (subject to masking) provide a C-BUS interrupt.

The lock detector can use a tolerance of one cycle or four cycles of the reference clock (not the divided version that is used as a comparison frequency) in order to judge phase lock. An internal shift register holds the last three lock status measurements and the lock status bits are flagged according to a majority vote of these previous three states. Hence, one occasional lock error will not flag a lock fail. At least two successive phase lock events are required for the lock status to be true. Note that the lock status bits confirm phase lock to the measured tolerance and not frequency lock. The synthesiser may take more time to confirm phase lock with the lock status bits than the time to switch from channel to channel. The purpose of a 4-cycle tolerance is for the case where a high frequency reference oscillator would not forgive a small phase error.

RF Inputs

The RF inputs are differential and self-biased (when not powersaved). They are intended to be capacitively coupled to the RF signal. The signal should be in the range 0dBm to -20dBm (not necessarily balanced). To ensure an accurate input signal the RF should be terminated with 50 Ω as close to the chip as possible and with the "P" and "N" inputs capacitively coupled to the input and ground, keeping these connections as short as possible. The RF input impedance is almost purely capacitive and is dominated by package and printed circuit board parasitics.

Guidelines for using the RF Synthesisers

- RF input slew rate (dv/dt) should be 14 V/ μ s minimum.
- The RF Synthesiser 2.5V digital supply (RFVDD) can be powered from the VDEC output pin.
- RF clock sources and other, different clock sources must not share common IC components, as this may introduce coupling into the RF. Unused ac-coupled clock buffer circuits should be tied to a dc supply, to prevent them oscillating. By default the RF clock source is routed to the XTAL/CLK input internally.
- It is recommended that the RF Synthesisers are operated with maximum gain Iset (ie. ISETn tied to RFV_{SS}).
- The loop components should be optimised for each VCO.

7.10 System Clock Synthesisers

Two System Clock outputs, SYSCLK1 and SYSCLK2, are available to drive additional circuits, as required. These are phase locked loop (PLL) clocks that can be programmed via the System Clock registers with suitable values chosen by the user. The System Clock PLL Configuration registers (\$AB and \$AD) control the values of the VCO Output divider and Main Divide registers, while the System Clock Ref. Configuration registers (\$AC and \$AE) control the values of the Reference Divider and signal routing configurations. The PLLs are designed for a reference frequency of 96kHz.

The System Clock output divider stages are designed so that they have a 1:1 Mark-to-Space ratio when an even divide number is selected.

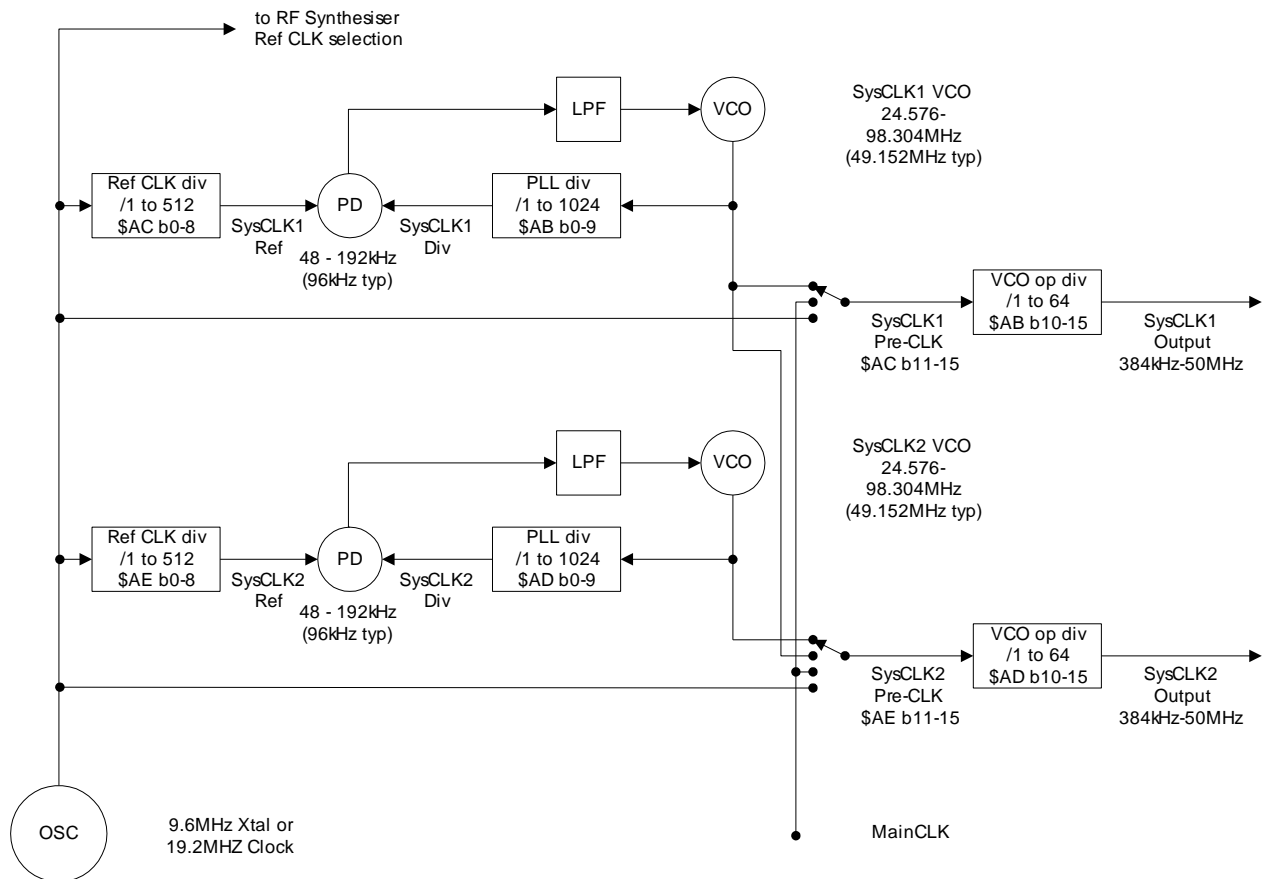


Figure 18 System Clock Generation

The CMX7032/CMX7042 includes a 2-pin crystal oscillator circuit. This can either be configured as a 9.6MHz xtal oscillator, or the XTAL/CLK input can be driven by an externally generated 19.2MHz clock.

Note that, at power-on, the CMX7032 will provide the XTAL/CLK input to both System Clock output pins, whereas the CMX7042 will inhibit both outputs until they are enabled by a host command over the C-BUS.

7.11 Powersave

The CMX7032/CMX7042 implements a comprehensive powersaving scheme which will automatically enable the sections of the device that are required and return them to their powersaved state when no longer needed. In addition, a user defined Sleep mode maybe enabled which allows the device to drop into power-saving mode should a Receiver channel not detect any activity at the start of the AIS burst. This feature should be used with care to ensure that any peripheral circuits are powered-up again in time to receive the following burst correctly.

When an Rx channel enters or leaves Sleep mode, an Rx State IRQ may be asserted, which allows the host to powersave other external circuits under its control.

A “Deep Sleep” mode is also available through the Configuration mode which halts all signal processing activity and allows the analogue functions to be disabled so reducing power consumption to the lowest level – see section 7.4.14

7.12 C-BUS Register Summary

Table 12 C-BUS Registers

ADDR. (hex)		REGISTER	Word Size (bits)
\$01	W	C-BUS RESET	0
\$A7	W	Data Write 1	16
\$A8	W	Data Write 2	16
\$A9	R	Data Read 1	16
\$AA	R	Data Read 2	16
\$AB	W	System Clk 1 PLL Data	16
\$AC	W	System Clk 1 Ref	16
\$AD	W	System Clk 2 PLL Data	16
\$AE	W	System Clk 2 Ref	16
\$AF		Reserved	
\$B0		Reserved	
\$B1	W	Input/Output Gain and Routing	16
\$B2	W	RF PLL Data	16
\$B3	W	RF PLL Control	16
\$B4	R	RF PLL Status	8
\$B5	W	Rx Raw Data Word Counter	16
\$B6	W	Data Write 3	16
\$B7	W	Data Write 4	16
\$B8	R	Data Read 3	16
\$B9	R	Data Read 4	16
\$BA	R	RSSI1	16
\$BB	R	RSSI2	16
\$BC		Reserved	
\$BD		Reserved	
\$BE		Reserved	
\$BF		Reserved	
\$C0	W	Power Down	16
\$C1	W	Mode	16
\$C2	W	CS Threshold	16
\$C3		Reserved	
\$C4		Reserved	
\$C5	R	Status 2	16
\$C6	R	Status	16
\$C7		Reserved	
\$C8	W	Command	16
\$C9	R	ADC Data	16
\$CA		Reserved	
\$CB		Reserved	
\$CC		Reserved	
\$CD		Reserved	
\$CE	W	Interrupt Mask	16
\$CF		Reserved	

All other C-BUS addresses (including those not listed above) are either reserved for future use or allocated for production testing and must not be accessed in normal operation.

8 Performance Specification

8.1 Electrical Performance

8.1.1 Absolute Maximum Ratings

Exceeding these maximum ratings can result in damage to the device.

	Min.	Max.	Unit
Supply: DV_{DD} - DV_{SS}	-0.3	4.5	V
AV_{DD} - AV_{SS}	-0.3	4.5	V
RFV_{DD} - RFV_{SS}	-0.3	4.5	V
CPV_{DD} - RFV_{SS}	-0.3	4.5	V
Voltage on any pin to DV_{SS}	-0.3	$DV_{DD} + 0.3$	V
Voltage on any pin to AV_{SS}	-0.3	$AV_{DD} + 0.3$	V
Voltage on any pin to RFV_{SS} (excluding CPV_{DD})	-0.3	$RFV_{DD} + 0.3$	V
Current into or out of any power supply pin (excluding V_{BIAS}) (i.e. V_{DEC} , AV_{DD} , AV_{SS} , DV_{DD} , DV_{SS} , CPV_{DD} , RFV_{DD} or RFV_{SS})	-30	+30	mA
Current into or out of any other pin	-20	+20	mA
Voltage differential between power supplies:			
DV_{DD} and AV_{DD} or CPV_{DD}	0	0.3	V
AV_{DD} and CPV_{DD}	0	0.3	V
DV_{SS} and AV_{SS} or RFV_{SS}	0	50	mV
AV_{SS} and RFV_{SS}	0	50	mV
<hr/>			
All Packages	Min.	Max.	Unit
Storage Temperature	-55	+125	°C
Operating Temperature	-40	+85	°C
<hr/>			
Q1 Package (64-pad VQFN)	Min.	Max.	Unit
Total Allowable Power Dissipation at $T_{amb} = 25^{\circ}\text{C}$	-	3500	mW
... Derating	-	35.0	mW/°C
Q3 Package (48-pad VQFN)	Min.	Max.	Unit
Total Allowable Power Dissipation at $T_{amb} = 25^{\circ}\text{C}$	-	1750	mW
... Derating	-	17.5	mW/°C
L9 Package (64-pin LQFP)	Min.	Max.	Unit
Total Allowable Power Dissipation at $T_{amb} = 25^{\circ}\text{C}$	-	1690	mW
... Derating	-	16.9	mW/°C
L4 Package (48-pin LQFP)	Min.	Max.	Unit
Total Allowable Power Dissipation at $T_{amb} = 25^{\circ}\text{C}$	-	1600	mW
... Derating	-	16.0	mW/°C

8.1.2 Operating Limits

Correct operation of the device outside these limits is not implied.

	Notes	Min.	Max.	Unit
Supply Voltage:				
$DV_{DD} - DV_{SS}$		3.0	3.6	V
$AV_{DD} - AV_{SS}$		3.0	3.6	V
$CPV_{DD} - RFV_{SS}$		3.0	3.6	V
$RFV_{DD} - DV_{SS}$	1	2.25	2.75	V
$V_{DEC} - DV_{SS}$	2	2.25	2.75	V
Operating Temperature		-40	+85	°C
Clock Frequency		9.6	19.2	MHz
Function Image™ size		24	46	kBytes

- Notes:**
- 1 The V_{DEC} supply is automatically created from DV_{DD} by the on-chip voltage regulator.
 - 2 The RFV_{DD} supply can be supplied from the V_{DEC} supply, if preferred.

8.1.3 Operating Characteristics

For the following conditions unless otherwise specified:

External components as recommended in Figure 2.

Maximum load on digital outputs = 30pF.

Clock Frequency = 19.2MHz (± 20 ppm); Tamb = -40°C to $+85^{\circ}\text{C}$.

AV_{DD} = DV_{DD} = CPV_{DD} = 3.0V to 3.6V; RFV_{DD} = 2.25V to 2.75V.

Reference signal level = 300mV pk-pk with AV_{DD} = 3.3V.

Signal levels track with supply voltage, so scale accordingly.

Signal to Noise Ratio (SNR) in bit rate bandwidth.

Input stage gain = 0dB. Output stage attenuation = 0dB.

DC Parameters	Notes	Min.	Typ.	Max.	Unit
Supply Current	21				
All Powersaved (Deep Sleep mode)					
DI _{DD} (DV _{DD} = 3.3V, V _{DEC} = 2.5V)		–	8	100	μA
AI _{DD} (AV _{DD} = 3.3V)	27	–	4	20	μA
RFI _{DD} (CPV _{DD} = 3.3V, RFV _{DD} = 2.5V)		–	4	20	μA
Rx Mode	22				
DI _{DD} (DV _{DD} = 3.3V, V _{DEC} = 2.5V)		–	14.4	–	mA
AI _{DD} (AV _{DD} = 3.3V)		–	5.8	–	mA
Rx Mode (Sleep Enabled)	22				
DI _{DD} (DV _{DD} = 3.3V, V _{DEC} = 2.5V)		–	10	–	mA
AI _{DD} (AV _{DD} = 3.3V)		–	1.8	–	mA
Tx Mode	22				
DI _{DD} (DV _{DD} = 3.3V, V _{DEC} = 2.5V)		–	20	–	mA
AI _{DD} (AV _{DD} = 3.3V)		–	11	–	mA
Additional current for RF Synthesiser	23				
DI _{DD} (DV _{DD} = 3.3V, V _{DEC} = 2.5V)		–	0	–	mA
AI _{DD} (AV _{DD} = 3.3V)		–	0	–	mA
RFI _{DD} (CPV _{DD} = 3.3V, RFV _{DD} = 2.5V)		–	2.5	4.5	mA
Additional current for Auxiliary					
System Clock (output running at 4MHz)					
DI _{DD} (DV _{DD} = 3.3V, V _{DEC} = 2.5V)	28	–	250	–	μA
AI _{DD} (AV _{DD} = 3.3V)		–	300	–	μA
Additional current for Auxiliary ADC					
DI _{DD} (DV _{DD} = 3.3V, V _{DEC} = 2.5V)		–	50	–	μA
AI _{DD} (AV _{DD} = 3.3V)		–	1	–	μA
Additional current for each Auxiliary DAC					
DI _{DD} (DV _{DD} = 3.3V, V _{DEC} = 2.5V)		–	0	–	mA
AI _{DD} (AV _{DD} = 3.3V)		–	200	–	μA
CLK	25				
Input Logic 1		70%	–	–	DV _{DD}
Input Logic 0		–	–	30%	DV _{DD}
Input current (Vin = DV _{DD})		–	–	40	μA
Input current (Vin = DV _{SS})		–40	–	–	μA
C-BUS Interface and Logic Inputs					
Input Logic 1		70%	–	–	DV _{DD}
Input Logic 0		–	–	30%	DV _{DD}
Input Leakage Current (Logic 1 or 0)		–1.0	–	1.0	μA
Input Capacitance		–	–	7.5	pF

DC Parameters	Notes	Min.	Typ.	Max.	Unit
C-BUS Interface and Logic Outputs					
Output Logic 1, ($I_{OH} = 120\mu A$)		90%	–	–	DV _{DD}
Output Logic 1, ($I_{OH} = 1mA$)		80%	–	–	DV _{DD}
Output Logic 0, ($I_{OL} = 360\mu A$)		–	–	10%	DV _{DD}
Output Logic 0, ($I_{OL} = -1.5mA$)		–	–	15%	DV _{DD}
“Off” State Leakage Current		–	–	10	μA
IRQN ($V_{out} = DV_{DD}$)		-1.0	–	+1.0	μA
RDATA (output HiZ)		-1.0	–	+1.0	μA
V_{BIAS}	26				
Output voltage offset wrt AV _{DD} /2 ($I_{OL} < 1\mu A$)		-2%	–	+2%	AV _{DD}
Output impedance		–	22	–	k Ω
AC Parameters					
AC Parameters	Notes	Min.	Typ.	Max.	Unit
CLK Input					
'High' pulse width	31	19	–	–	ns
'Low' pulse width	31	19	–	–	ns
Input impedance (at 19.2MHz)					
Powered-up					
Resistance		–	150	–	k Ω
Capacitance		–	20	–	pF
Powered-down					
Resistance		–	300	–	k Ω
Capacitance		–	20	–	pF
Clock frequency		–	19.2	–	MHz
Clock stability/accuracy		–	–	± 20	ppm
Clock start up (from powersave)		–	20	–	ms
V_{BIAS}					
Start up time (from powersave)		–	30	–	ms
RxIN, Spare Input					
Input impedance	34	–	> 10	–	M Ω
Input signal range	35	–	–	10 to 90	%AV _{DD}
Input signal envelope		0.3	–	2.2	Vp-p
Load resistance (feedback pins)		80	–	–	k Ω
Amplifier open loop voltage gain (I/P = 1mV rms at 100Hz)		–	80	–	dB
Unity gain bandwidth		–	1.0	–	MHz
Programmable Input Gain Stage					
Gain (at 0dB)	36				
Gain (at 0dB)	37	-0.5	0	+0.5	dB
Cumulative gain error (wrt attenuation at 0dB)	37	-1.0	0	+1.0	dB
Modulator Outputs (MOD 1, MOD 2)					
Power-up to output stable	41	–	50	100	μs
Modulator Attenuators					
Attenuation (at 0dB)	43	-1.0	0	+1.0	dB
Cumulative attenuation error (wrt attenuation at 0dB)		-0.6	0	+0.6	dB
Output impedance					
Enabled	42	–	600	–	Ω
Disabled	42	–	500	–	k Ω
Output current range (AV _{DD} = 3.3V)		-125	–	+125	μA
Output voltage range	44	0.5	–	AV _{DD} - 0.5	V
Load resistance		20	–	–	k Ω
ADC 1 to 4 Inputs					
Source output impedance	51	–	–	24	k Ω

AC Parameters	Notes	Min.	Typ.	Max.	Unit
ADCs					
Resolution		–	10	–	Bits
Input Range		–	–	10 to 90	%AV _{DD}
Conversion time		–	21	–	µs
Input impedance					
Resistance	34	–	> 10	–	MΩ
Capacitance		–	5	–	pF
Zero error (input offset to give ADC output = 0)	}	–	0	±10	mV
Integral non-linearity		–	–	±4	LSB
Differential non-linearity	53	–	–	±3	LSB
DACs					
Resolution		–	10	–	Bits
Settling time (to ±0.5 LSB)		–	10	–	µs
Output range		–	–	10 to 90	%AV _{DD}
Output impedance		–	250	–	kΩ
Integral non-linearity		–	–	±4	LSB
Differential non-linearity	53	–	–	±1	LSB
Resistive load		5	–	–	kΩ
Noise output voltage in 30kHz bandwidth		–	5	–	µVrms
RF Synthesiser – Phase Locked Loops (CMX7032 only)					
<i>Reference Clock Input</i>					
Frequency	64, 66	5.0	19.2	40.0	MHz
Level	61	0.5	–	2.0	Vp-p
Divide ratios (R)	62	2	–	8191	
<i>RF Synthesiser</i>					
	67				
Comparison frequency		–	–	500	kHz
Input frequency range	65	100	–	600	MHz
Input level (at 600MHz)		-15	–	0	dBm
Input Slew Rate		14	–	–	V/µs
Divide ratios (N)		1088	–	1048575	
1Hz Normalised Phase Noise Floor	68	–	-197	–	dBc/Hz
Charge pump current (high)	63	–	±2.5	–	mA
Charge pump current (low)	63	–	±625	–	µA
Charge pump current - voltage variation		–	10%	–	per V
Charge pump current - sink to source match		–	5%	–	of ISET

Notes:

- 21 Tamb = 25°C, not including any current drawn from the device pins by external circuitry.
- 22 RF and auxiliary circuits disabled.
- 25 Characteristics when driving the XTAL/CLK pin with an external clock source.
- 26 Applies when utilising V_{BIAS} to provide a reference voltage to other parts of the system. When using V_{BIAS} as a reference, V_{BIAS} must be buffered. V_{BIAS} must always be decoupled with a capacitor as shown in Figure 4.
- 27 Analogue current consumption measured with RAMDAC and DAC1 disabled.
- 28 Additional digital current consumption measured without the PLL and only one SYSCCLK enabled.
- 31 Timing for an external input to the XTAL/CLK pin.
- 34 With no external components connected, measured at dc.
- 35 After multiplying by gain of input circuit, with external components connected.
- 36 Gain applied to signal at output of buffer amplifier:RX1FB, RX2FB or SpareFB.
- 37 Design Value. Overall attenuation input to output has a tolerance of 0dB ±1.0dB.
- 41 Power-up refers to issuing a C-BUS command to turn on an output. These limits apply only if V_{BIAS} is on and stable.
- 42 Small signal impedance, at AV_{DD} = 3.3V and Tamb = 25°C.
- 43 With respect to the signal at the feedback pin of the selected input port.
- 44 With the output driving a 20kΩ load to AV_{DD}/2.
- 51 Denotes output impedance of the driver of the auxiliary input signal, to ensure <1 bit additional error under nominal conditions.
- 53 Guaranteed monotonic with no missing codes.
- 61 Sine wave or clipped sine wave.
- 62 Separate dividers provided for each PLL.
- 63 External ISET resistor (R31) = 0Ω (Internal ISET resistor = 9k6Ω nominally).
- 64 For optimum performance of the synthesiser subsystems, a common master clock should be used for the RF Synthesisers and the baseband sections. Using unsynchronised clocks is likely to result in spurious products being generated in the synthesiser outputs and in some cases difficulty may be experienced in obtaining lock in the RF Synthesisers.
- 65 Operation outside these frequency limits is possible, but not guaranteed. Below 150MHz, a square wave input may be required to provide a fast enough slew rate.
- 66 Lower input frequencies may be used subject to division ratio requirements being maintained.
- 67 It is recommended that RF Synthesiser 1 be used for higher frequency use (eg: RF 1st LO) and RF Synthesiser 2 be used for lower frequency use (eg: IF LO).
- 68 1Hz Normalised Phase Noise Floor (PN1Hz) can be used to calculate the phase noise within the PLL loop by: Phase Noise (in band) = PN1Hz + 20 log₁₀(N) + 10log₁₀(f_{comparison}).

8.1.4 Parametric Performance

For the following conditions unless otherwise specified:

External components as recommended in Figure 2.

Maximum load on digital outputs = 30pF.

CLK Frequency = 19.2MHz (± 20 ppm); Tamb = -40°C to $+85^{\circ}\text{C}$.

AV_{DD} = DV_{DD} = CPV_{DD} = 3.0V to 3.6V; RFV_{DD} = 2.25V to 2.75V.

Reference Signal Level = 300mV pk-pk with AV_{DD} = 3.3V.

Signal levels track with supply voltage, so scale accordingly.

Signal to Noise Ratio (SNR) in bit rate bandwidth.

Input stage gain = 0dB, Output stage attenuation = 0dB.

Transmit Parameters	Notes	Min.	Typ.	Max.	Unit
AIS (GMSK 9600bps), 25kHz channel					
Bit rate accuracy		–	–	± 50	ppm
BT		–	0.4	–	
Storage time (filter delay)	1	–	8	–	bits
Tx Buffer size		–	–	176	bytes
Receive Parameters	Notes	Min.	Typ.	Max.	Unit
AIS (GMSK 9600bps), 25kHz channel					
Bit rate accuracy		–	–	± 50	ppm
BT		–	0.4	–	
Storage time	2	–	8	–	bits
Packet error rate (PER) limit		–	–	20%	
PER with -10 dB co-channel interference	3	–	–	20%	
PER with 10dB SNR	4	–	–	20%	
Rx Buffer Size (burst mode)		–	–	2 x176	bytes
Rx Buffer Size (raw mode)		–	–	184	bytes
DSC (FSK 1200bps, 6dB/octave de-emphasis)					
Bit rate accuracy		–	–	± 50	ppm
Sub-carrier		–	1700	–	Hz
Tx mark frequency		1290	1300	1310	Hz
Tx space frequency		2090	2100	2110	Hz
Storage time (filter delay)	2	–	8	–	bits
Bit error rate (BER) with 10dB SNR	4	–	–	1%	
SLOT CLOCK					
Rise/Fall time		–	–	1.0	μs

Notes:

1. Through GMSK/FSK transmit filter.
2. Through GMSK/FSK receive filters.
3. Measured at baseband to IEC 62287-1.
4. Measured at baseband with simulated FM channel noise.

8.2 C-BUS Timing

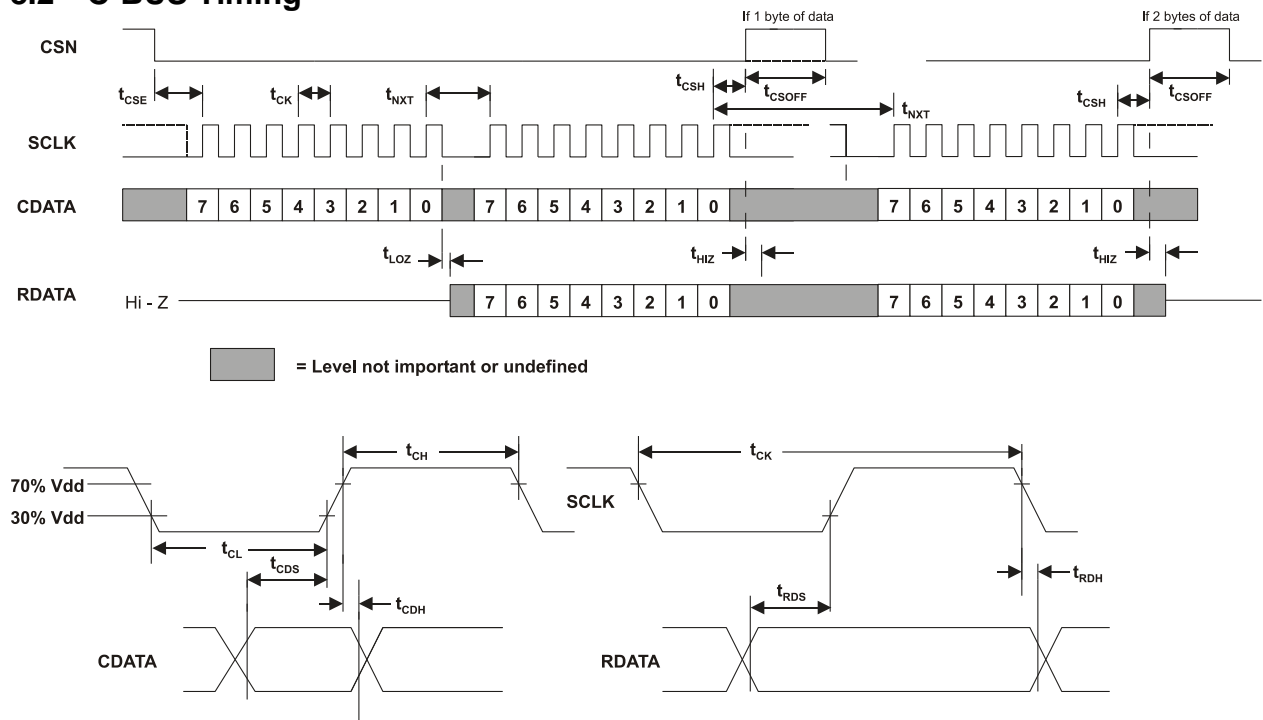


Figure 19 C-BUS Timing

C-BUS Timing	Notes	Min.	Typ.	Max.	Unit
t_{CSE}	CSN enable to SCLK high time	100	–	–	ns
t_{CSH}	Last SCLK high to CSN high time	100	–	–	ns
t_{LOZ}	SCLK low to RDATA output enable time	0.0	–	–	ns
t_{HIZ}	CSN high to RDATA high impedance	–	–	1.0	μ s
t_{CSOFF}	CSN high time between transactions	1.0	–	–	μ s
t_{NXT}	Inter-byte time	200	–	–	ns
t_{CK}	SCLK cycle time	200	–	–	ns
t_{CH}	SCLK high time	100	–	–	ns
t_{CL}	SCLK low time	100	–	–	ns
t_{CDS}	CDATA setup time	75	–	–	ns
t_{CDH}	CDATA hold time	25	–	–	ns
t_{RDS}	RDATA setup time	50	–	–	ns
t_{RDH}	RDATA hold time	0	–	–	ns

- Notes:**
1. Depending on the command, 1 or 2 bytes of CDATA are transmitted to the peripheral MSB (Bit 7) first, LSB (Bit 0) last. RDATA is read from the peripheral MSB (Bit 7) first, LSB (Bit 0) last.
 2. Data is clocked into the peripheral on the rising SCLK edge.
 3. Commands are acted upon at the end of each command (rising edge of CSN).
 4. To allow for differing μ C serial interface formats C-BUS compatible ICs are able to work with SCLK pulses starting and ending at either polarity.
 5. Maximum 30pF load on IRQN pin and each C-BUS interface line.

These timings are for the latest version of C-BUS and allow faster transfers than the original C-BUS timing specification. The CMX7032/CMX7042 can be used in conjunction with devices that comply with the slower timings, subject to system throughput constraints.

8.3 SPI Timing

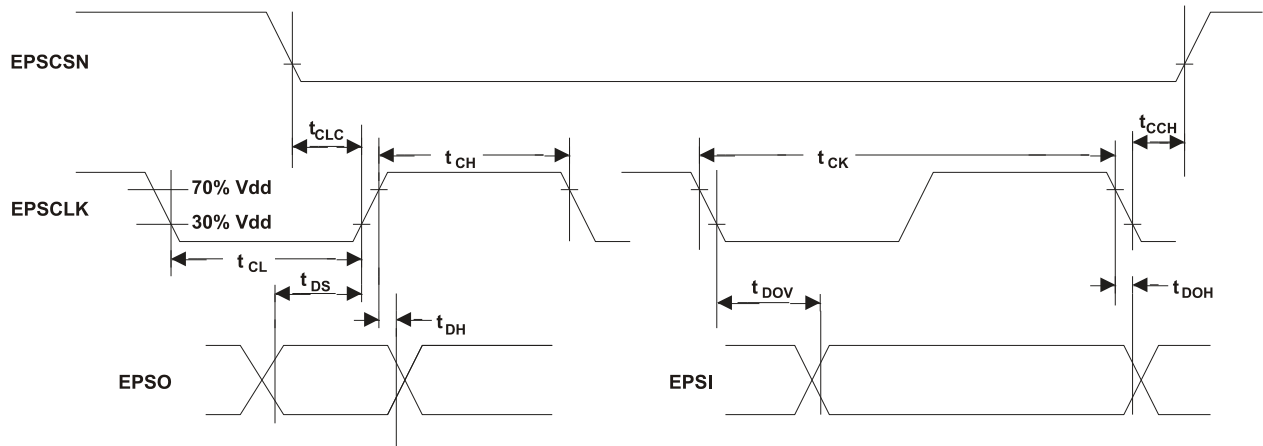
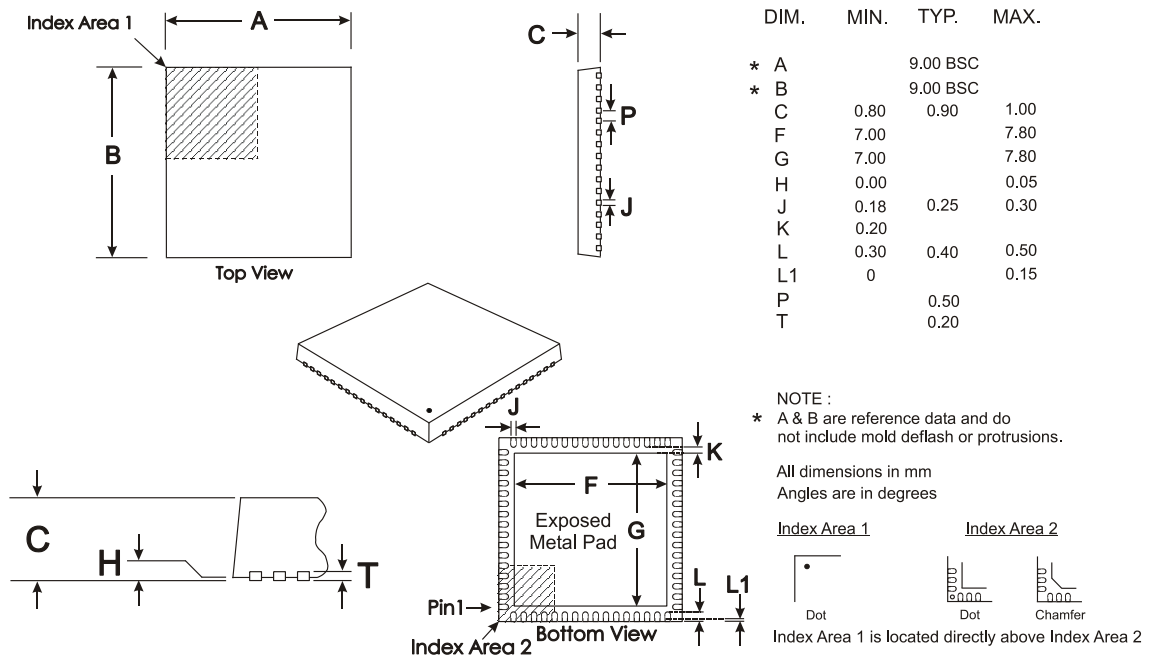


Figure 20 SPI Interface Timing

Serial (SPI) Bus Interface Timing	Notes	Min.	Typ.	Max.	Unit
t_{CK}	Clock cycle time	–	16	–	Xtal Clock Periods
t_{CL}	Clock 'low' pulse width	–	8	–	Xtal Clock Periods
t_{CH}	Clock 'high' pulse width	–	8	–	Xtal Clock Periods
t_{DOV}	Out data valid time	–	10	80	ns
t_{DOH}	Out data hold time	0	–	–	ns
t_{DS}	In data set up time	20	–	–	ns
t_{DH}	In data hold time	20	–	–	ns
t_{CLC}	Chip select low to clock rising edge	–	4	–	Xtal Clock Periods
t_{CCH}	Clock falling edge to chip select high	–	2	–	Xtal Clock Periods

- Notes:**
1. The serial (SPI) bus clock frequency is the CMX7032/CMX7042 internal (Main Clock \div 16) frequency. At power-on, the internal Main Clock is connected directly to the XTAL/CLK pin. A serial memory should be chosen which is compatible with these timings.
 2. Maximum 30pF load on each serial bus interface line.

8.4 Packaging



Depending on the method of lead termination at the edge of the package, pull back (L1) may be present. L minus L1 to be equal to, or greater than 0,3mm
The underside of the package has an exposed metal pad which should ideally be soldered to the pcb to enhance the thermal conductivity and mechanical strength of the package fixing. Where advised, an electrical connection to this metal pad may also be required

Figure 21 Mechanical Outline for 64-pad VQFN Package (Q1)

Order as CMX7032Q1

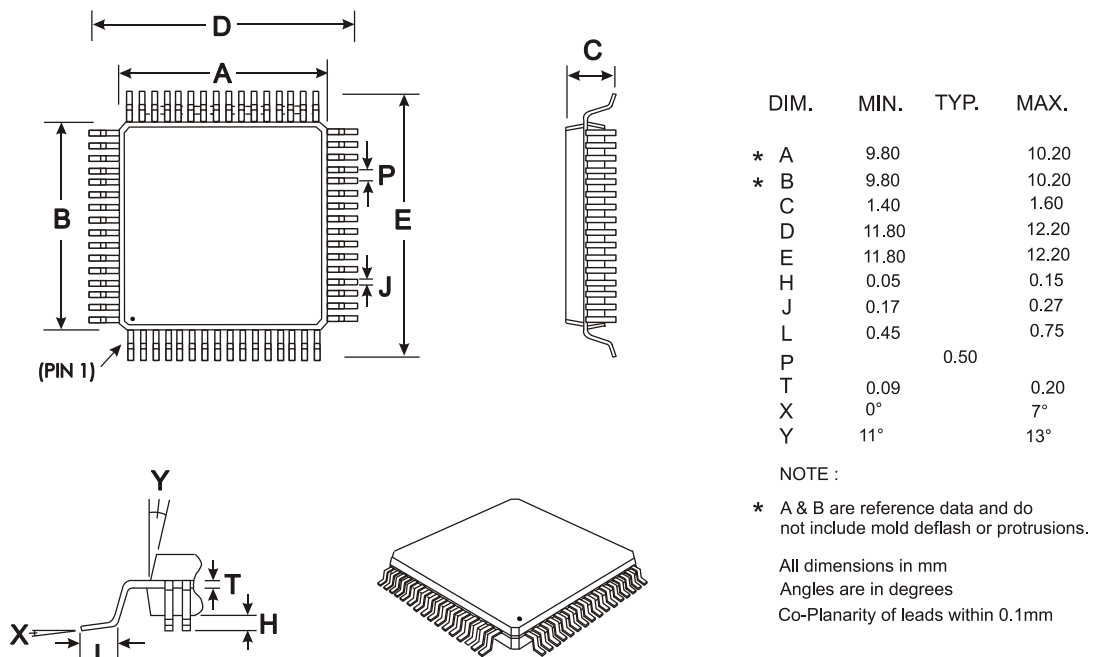


Figure 22 Mechanical Outline for 64-pin LQFP (leaded) Package (L9)

Order as CMX7032L9

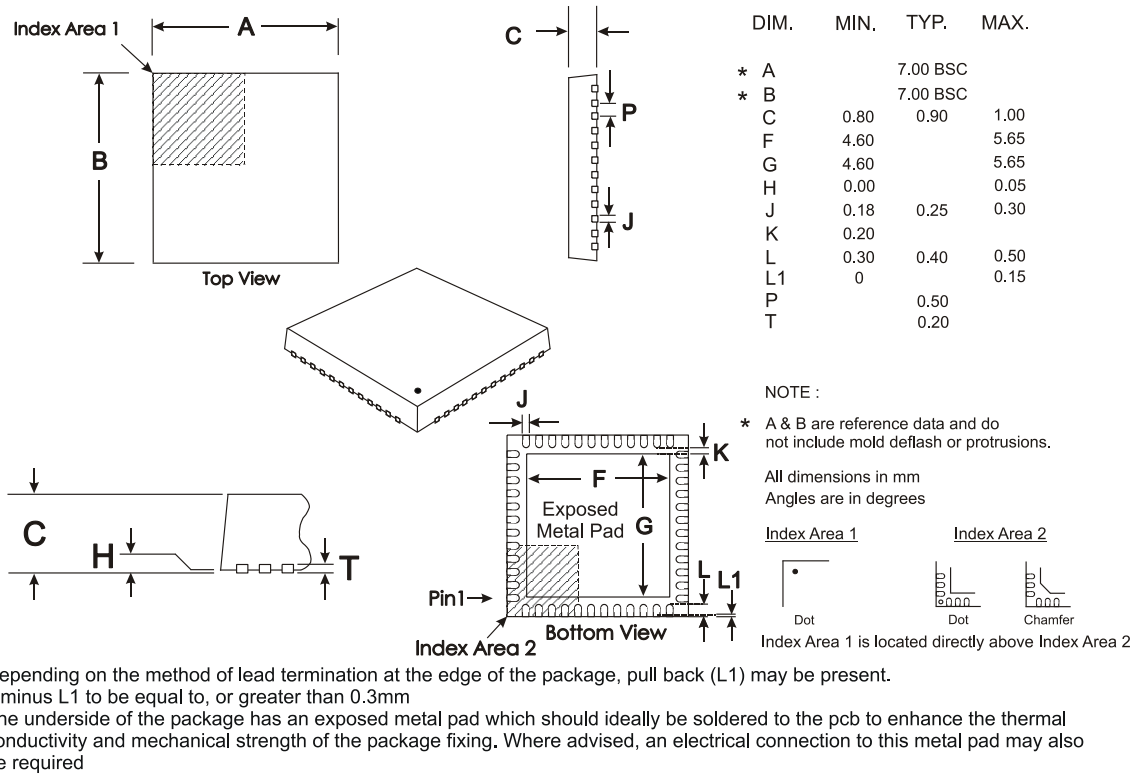


Figure 23 Mechanical Outline for 48-pad VQFN Package (Q3)

Order as CMX7042Q3

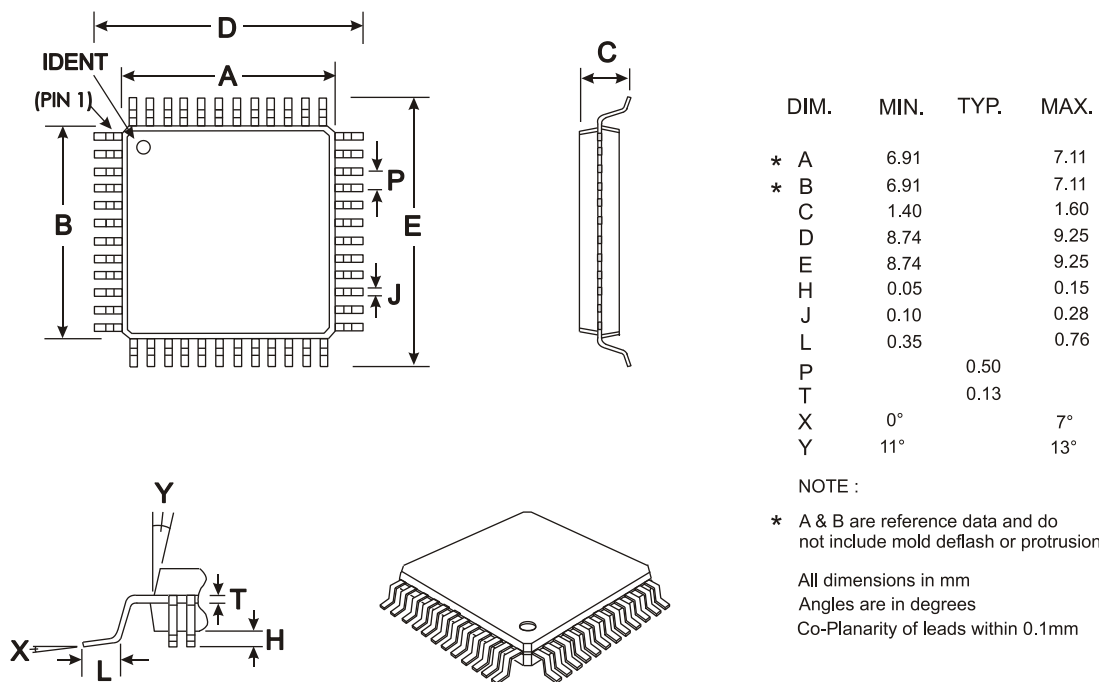


Figure 24 Mechanical Outline for 48-pin LQFP (leaded) Package (L4)

Order as CMX7042L4

Infinite Capabilities . . .

*Firm*ASIC®

. . . Maximum Flexibility

About FirmASIC®

CML's proprietary FirmASIC® component technology reduces cost, time to market and development risk, with increased flexibility for the designer and end application. FirmASIC® combines Analogue, Digital, Firmware and Memory technologies in a single silicon platform that can be focused to deliver the right feature mix, performance and price for a target application family. Specific functions of a FirmASIC® device are determined by uploading its Function Image™ during device initialization. New Function Images™ may be later provided to supplement and enhance device functions, expanding or modifying end-product features without the need for expensive and time-consuming design changes. FirmASIC® devices provide significant time to market and commercial benefits over Custom ASIC, Structured ASIC, FPGA and DSP solutions. They may also be exclusively customised where security or intellectual property issues prevent the use of Application Specific Standard Products (ASSPs).

Handling precautions: This product includes input protection, however, precautions should be taken to prevent device damage from electro-static discharge. CML does not assume any responsibility for the use of any circuitry described. No IPR or circuit patent licences are implied. CML reserves the right at any time without notice to change the said circuitry and this product specification. CML has a policy of testing every product shipped using calibrated test equipment to ensure compliance with this product specification. Specific testing of all circuit parameters is not necessarily performed.

 CML Microcircuits (UK) Ltd <small>COMMUNICATION SEMICONDUCTORS</small>	 CML Microcircuits (USA) Inc. <small>COMMUNICATION SEMICONDUCTORS</small>	 CML Microcircuits (Singapore) Pte Ltd <small>COMMUNICATION SEMICONDUCTORS</small>
Tel: +44 (0)1621 875500 Fax: +44 (0)1621 875600 Sales: sales@cmlmicro.com Tech Support: techsupport@cmlmicro.com	Tel: +1 336 744 5050 800 638 5577 Fax: +1 336 744 5054 Sales: us.sales@cmlmicro.com Tech Support: us.techsupport@cmlmicro.com	Tel: +65 62 888129 Fax: +65 62 888230 Sales: sg.sales@cmlmicro.com Tech Support: sg.techsupport@cmlmicro.com
- www.cmlmicro.com -		

X-ON Electronics

Largest Supplier of Electrical and Electronic Components

Click to view similar products for [RF Wireless Misc](#) category:

Click to view products by [CML Microcircuits](#) manufacturer:

Other Similar products are found below :

[R415720000](#) [HMC598-SX](#) [RX98-4](#) [MABT-011000-14235P](#) [W2SW0001-SHLD](#) [HMC1110-SX](#) [HMC579-SX](#) [R417703118](#) [MA4BN1840-1](#)
[HMC443LP4ETR](#) [HMC561LP3ETR](#) [STHV DAC-253MF3](#) [ADL5390ACPZ-REEL7](#) [ADA4304-2ACPZ-R7](#) [ADA4304-3ACPZ-R2](#)
[ADA4304-4ACPZ-R2](#) [ADA4304-4ACPZ-R7](#) [ADA4304-3ACPZ-R7](#) [HMC760LC4B](#) [HMC577LC4B](#) [HMC370LP4E](#) [HMC444LP4E](#)
[HMC445LP4E](#) [HMC448](#) [HMC1096LP3ETR](#) [HMC573LC3BTR](#) [HMC575LP4](#) [HMC575LP4E](#) [HMC576](#) [HMC576LC3B](#) [HMC576LC3BTR](#)
[HMC578](#) [HMC578LC3B](#) [HMC578LC3BTR](#) [HMC578-SX](#) [HMC579](#) [HMC598](#) [HMC695LP4E](#) [HMC814](#) [HMC814LC3B](#) [HMC814LC3BTR](#)
[HMC814-SX](#) [SML1](#) [MAX2045ETJ+](#) [CMX882E1](#) [CMX881E1](#) [SA606DK/01,118](#) [MAX1005CEE+](#) [MAX2046ETJ](#) [MAX9990ETP+](#)