

## CMX7364

### Multi-mode High Performance Wireless Data Modem

The CMX7364 is a flexible high performance wireless data modem featuring a high level of integration, including RF ADCs and DACs as well as additional low power data converters for monitoring and control purposes. At its heart a powerful DSP core is coupled to optimised hardware accelerators to provide efficient, low power implementation of data modem functionality, principally PHY and MAC layers.

#### Features

- Modem PHY
  - Rx and Tx data converters
  - Programmable channel filters
- Modem lower MAC
  - AFSD
  - FEC
  - Packet build
  - Pilot symbol insertion
- C-BUS (SPI Compatible) Serial Interfaces
- Auxiliary functions
  - Low speed ADCs/DACs
  - Power amplifier Ramp DAC
  - Programmable clock generator
- Power management
  - Integrated core LDO
  - Automatic clock gating

#### Applications

- VHF/UHF modems
  - Telemetry
  - SCADA
  - RTK
- Satellite modems
- Custom ISM radios

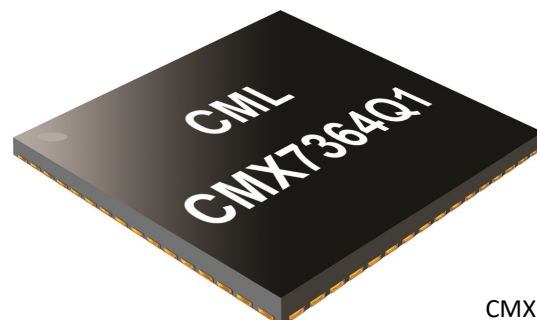
The device supports a range of formatted data modes as well as a raw mode that allows users to freely develop their own link protocols. The formatted data models include optimised forward error correction and pilot symbol insertion where appropriate.

The CMX7364 provides a range of flexible digital interfaces to allow easy interfacing with microcontrollers and a pass through interface for control of RF circuits. The internal filters support channel bandwidths from 6.25 to 50 kHz enabling over air data rates of up to 40 ksamples/s.

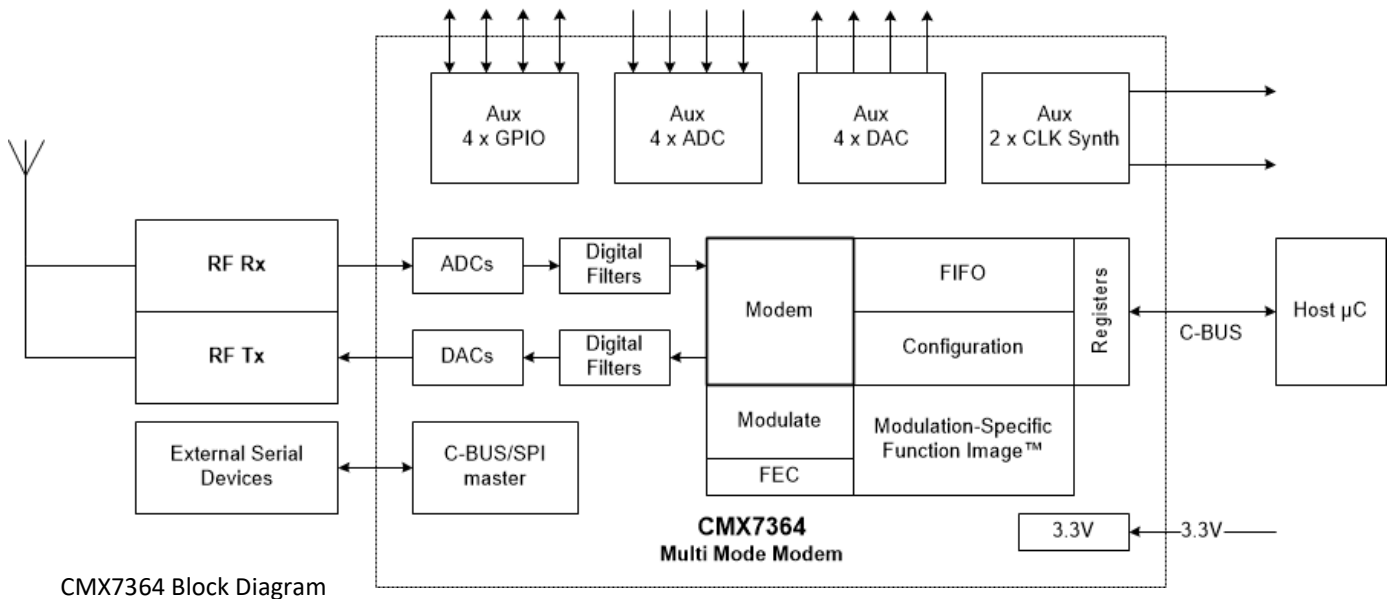
The design is capable of interfacing to different radio architectures but is ideally matched to CML's CMX994 family of direct conversion receivers and CMX998 I/Q modulator with Cartesian linearization and built-in support for these devices via appropriate Function Images includes DC offset correction and AGC control.

Functionality of the CMX7364 is determined by loading a Function Image™ supplied by CML. The Function Image™ is downloaded on power up and configures the device for the required modulation scheme and associated parameters.

The CMX7364 operates from a single 3.3V supply voltage and is available in a 64VQFN package.



CMX7364 Chip



Functionality of the CMX7364 is determined by loading a Function Image™ supplied by CML. The Function Image™ is downloaded on power up and configures the device for the required modulation scheme and associated parameters.

Function Image™	Functionality
FI-1	Multimode GMSK/GFSK modem supporting BT=0.5/0.3/0.27/0.25
FI-2	Multimode FSK modem supporting 2/4/8/16FSK
FI-4	Multimode QAM Modem supporting 4/16/32/64QAM

### Key Hardware Functionality

- Main functionality**

- Optimised 180MHz DSP core
- Integrated high SINAD sigma-delta ADCs and DACs with flexible configuration
- Differential input and output paths for improved SNR performance
- Hardware programmable channel FIR filters
- 1x Aux 10-bit ADC (8-way input mux) with threshold monitoring and wake-up
- 4x Aux 10-bit DAC (one with RAMDAC)
- 2x System Clock outputs
- Co-processors for accelerated Equaliser, RS and Viterbi algorithms

- Digital interface**

- Dual 20MHz SPI/PCM/McBSP interfaces
- C-BUS (SPI compatible) interfaces – supporting streaming C-BUS and C-BUS monitor modes
- Dedicated GPIOs and other interfaces switchable to GPIO by Function Image™

- **Power management**
  - 2.7 to 3.6V main supply (3.3V typical), 1.8V core supply
  - STOP and WAIT modes
  - Function Image™ defined clock scaling
  - Flexible power saving modes, automatic and manually controlled
- **-40 to +85°C operating temperature range**
- **9x9mm 64 lead VQFN package (Q1)**

### FI-1x Firmware Functionality

**GMSK and GFSK** modulations are supported with BT=0.5, 0.3, 0.27, or 0.25. User-programmable filters are also possible. The 7364FI-1.x supports up to 40kbps. Flexible bit rates support a wide range of applications requiring a selectable bit rate and robustness. The 7364FI-1.x supports zero IF (I/Q) and two-point modulation (Mod1/2) transmit modes, with zero IF receive mode. The GMSK/GFSK data is over-air compatible with the FX/MX909B and the CMX7143FI-1.x.

### FI-2x Firmware Functionality

**2-FSK, 4-FSK, 8-FSK, and 16-FSK** modulations are supported, with root raised cosine filtering with  $\alpha=0.2$  with optional sync filtering and user-programmable filters also possible. The 7364FI 2.x supports up to 20ksymbols/s in a 50kHz channel. Flexible bit rates support a wide range of applications requiring a selectable bit rate and robustness. The 7364FI-2.x supports zero IF (I/Q) and two-point modulation (Mod1/2) transmit modes, with zero IF receive mode. The data is over-air compatible with the FX/MX919B and the (CMX)7143FI-2.x. Additionally, 4-FSK coded mode also supports RD-LAP channel coding which is over-air compatible with CMX969.

### FI-4x Firmware Functionality

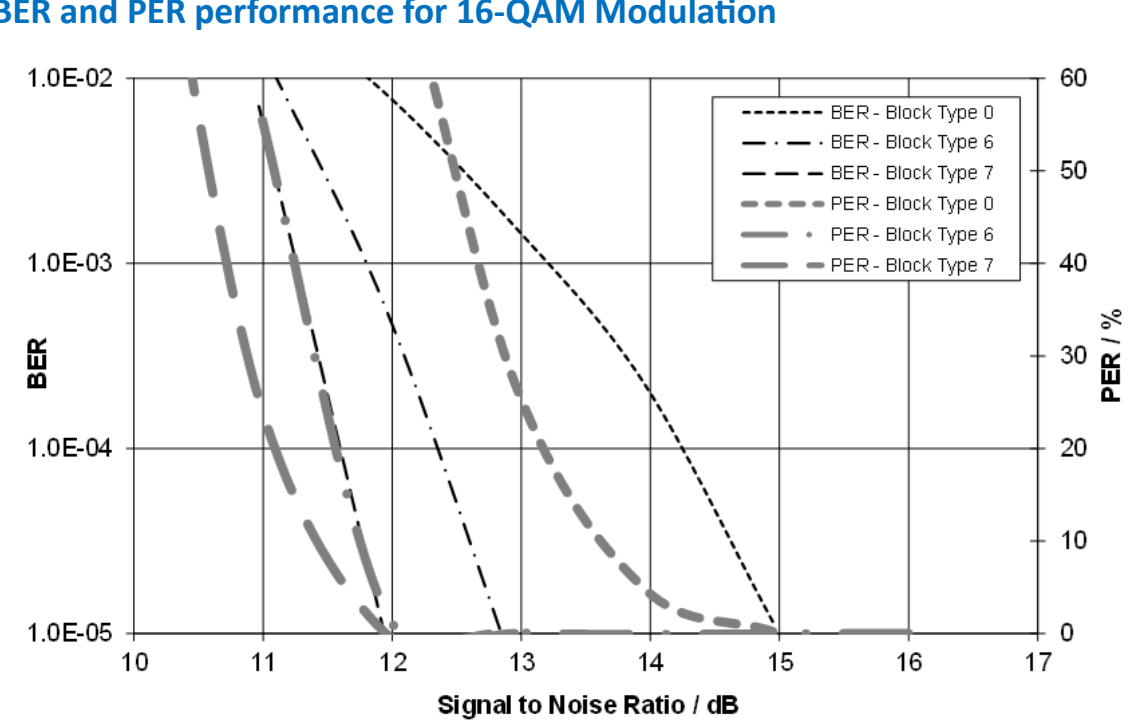
**4-QAM, 16-QAM, 32-QAM and 64-QAM** modulations are supported, with root raised cosine filtering with  $\alpha=0.2$ , 0.35 or a user programmable filter. The 7364FI 4.x supports up to 192kbps in a 50kHz channel, with channel estimation and equalization to provide robust performance under demanding channel conditions. For greater flexibility, different rate FEC modes are provided. Receive signal quality measurement is supported, making a useful assessment of link conditions. The 7364FI-4.x supports zero IF (I/Q) transmit and receive. QAM data is over-air compatible with the CMX7163FI-4.x.

FI2.x and FI-4.x Function Images support Adaptive Coded Modulation (ACM) features allow modulation type and block format to be changed on the fly via over-air commands that control a receiving CMX7364. These enable a Tx host to select optimum modulation and coding per burst to suit application message size, link channel quality and can also relax required Rx host message parsing speed. This feature makes the CMX7364 a powerful solution that can operate in an optimised way whatever the state of the radio channel.

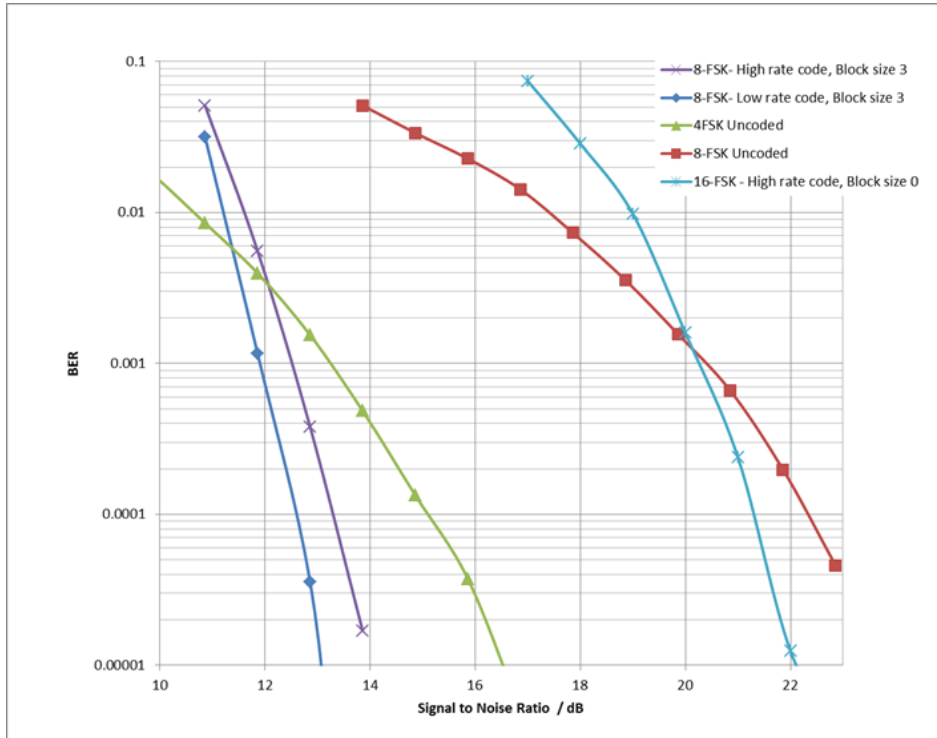
**Key Specifications** - (All parameters specific at DVDD=AVDD=3.3V, 25°C, running 7364 FI-4 (QAM))

General parameters	Min	Typ	Max	Unit
Operating temperature range	-40		+85	°C
Supply voltage AVDD DVDD	3.0 3.0	3.3 3.3	3.6 3.6	V
Supply current Standby – supplies present, C-BUS active		200		uA
Supply current - Rx Mode DIDD (9.6ksymbols/s – search for FS) DIDD (18ksymbols/s – search for FS) DIDD (40ksymbols/s – search for FS) DIDD (9.6ksymbols/s – FS found) DIDD (18ksymbols/s – FS found) DIDD (40ksymbols/s – FS found) AIDD (AVDD = 3.3V)		14.7 26 54 8.3 14.3 28.4 6.6		mA mA mA mA mA mA mA
Supply current - Tx Mode DIDD (9.6ksymbols/s) DIDD (18ksymbols/s) DIDD (40ksymbols/s) AIDD (AVDD = 3.3V)		7.3 12.2 23.5 8.4		mA mA mA mA

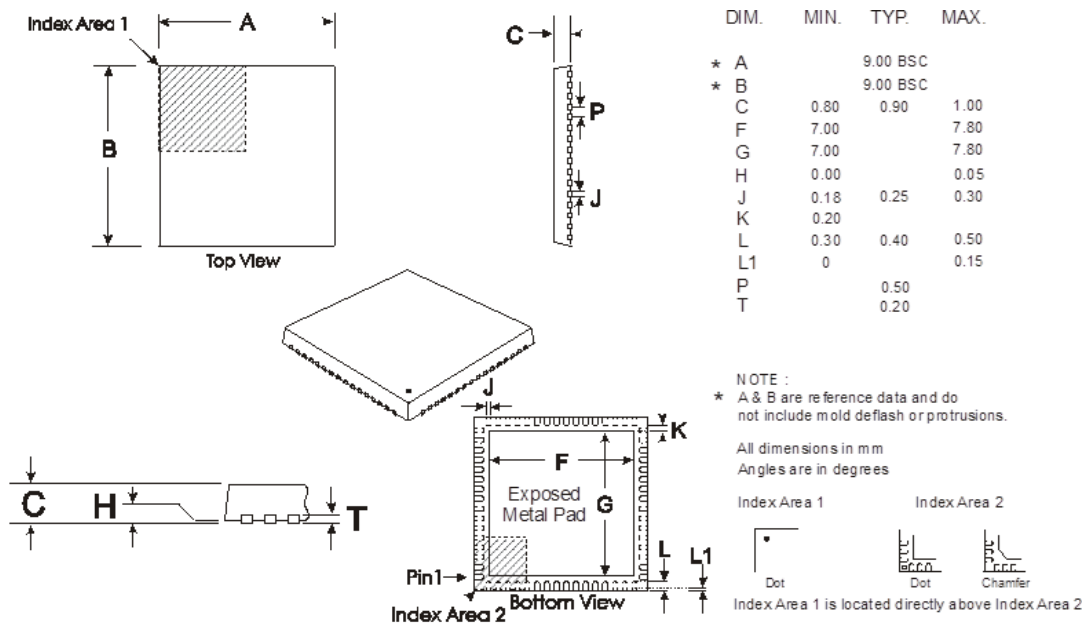
**Typical BER and PER performance for 16-QAM Modulation**



## Typical 8-FSK and 16-FSK Coding Performance



## Packaging



Depending on the method of lead termination at the edge of the package, pull back (L1) may be present. L minus L1 to be equal to, or greater than 0.3mm  
 The underside of the package has an exposed metal pad which should ideally be soldered to the pcb to enhance the thermal conductivity and mechanical strength of the package fixing. Where advised, an electrical connection to this metal pad may also be required

### [Q1 Mechanical Outline: Order as part no. CMX7364Q1](#)

THIS PRODUCT OUTLINE CONTAINS PROPRIETARY INFORMATION OF CML MICROSYSTEMS PLC. AND SHALL NOT BE USED, DISCLOSED OR REPRODUCED, IN WHOLE OR IN PART, FOR ANY PURPOSE OTHER THAN TO EVALUATE THIS PRODUCT CONCEPT, WITHOUT THE PRIOR WRITTEN CONSENT OF CML MICROSYSTEMS PLC. TITLE IN AND TO THIS DOCUMENT AND ALL INFORMATION CONTAINED HEREIN REMAINS AT ALL TIMES IN CML MICROSYSTEMS PLC.

**WHAT TO DO NEXT** > Visit: [www.cmlmicro.com](http://www.cmlmicro.com) > Find: [Distributor](#)

## CML Microcircuits Benefits

### Faster time to market

Developing proven high performance and field tested ASSP ICs, CML is helping engineers to cope with increasing pressure in delivering shorter project design cycles.

### Design flexibility

CML's *FirmASIC*® reconfigurable technology with the use of a Function Image upload enables a single hardware platform to be used for multiple communications systems.

### High Quality

With 100% of products being tested before shipping, customers are assured of the highest reliability.

### Product Longevity

Designing with CML products, manufacturers are rewarded with longer product life cycles and a stable BOM, ensuring minimum engineering costs and maximum profit.

### Low Power

Being at the forefront of low power chip technology, manufacturers can develop smaller equipment with extended battery life.

### Superior Support

Internal and field based applications teams worldwide provide focused customer support to ease the development process.

[www.cmlmicro.com](http://www.cmlmicro.com)

United Kingdom  
United States  
Singapore

Tel: +44 (0) 1621 875500  
Tel: +1 336 744 5050  
Tel: +65 62888129

email: [sales@cmlmicro.com](mailto:sales@cmlmicro.com)  
email: [us.sales@cmlmicro.com](mailto:us.sales@cmlmicro.com)  
email: [sg.sales@cmlmicro.com](mailto:sg.sales@cmlmicro.com)

## X-ON Electronics

Largest Supplier of Electrical and Electronic Components

*Click to view similar products for [Modulator/Demodulator](#) category:*

*Click to view products by [CML Microcircuits](#) manufacturer:*

Other Similar products are found below :

[LC72722PM-TLM-E](#) [HMC495LP3TR](#) [LT5571EUF#PBF](#) [LT5528EUF#PBF](#) [LT5502EGN#PBF](#) [THAT1510S08-U](#) [CMX909BD5](#)  
[CMX589AD5](#) [ADRF6821ACPZ](#) [AD630ADZ](#) [AD630ARZ](#) [AD630JNZ](#) [AD630KNZ](#) [AD8346ARUZ-REEL7](#) [AD8339ACPZ](#) [AD8345ARE](#)  
[AD8345AREZ](#) [AD8345AREZ-RL7](#) [AD8347ARUZ](#) [AD8347ARUZ-REEL7](#) [AD8348ARUZ](#) [AD8348ARUZ-REEL7](#) [AD8349AREZ](#)  
[AD8349AREZ-RL7](#) [ADL5371ACPZ-R7](#) [ADL5387ACPZ-WP](#) [ADL5387ACPZ-R7](#) [ADL5372ACPZ-R7](#) [ADL5373ACPZ-R7](#)  
[ADA2200ARUZ-REEL7](#) [AD8346ARUZ](#) [ADL5380-EVALZ](#) [ADL5382ACPZ-R7](#) [AD630ARZ-RL](#) [ADL5375-15ACPZ-R7](#) [ADL5380ACPZ-](#)  
[R7](#) [ADL5375-05ACPZ-R7](#) [AD8333ACPZ-WP](#) [AD8341ACPZ-REEL7](#) [ADRF6703ACPZ-R7](#) [ADRF6750ACPZ-R7](#) [ADRF6806ACPZ-R7](#)  
[HMC630LP3ETR](#) [HMC500LP3ETR](#) [HMC495LP3ETR](#) [HMC500LP3E](#) [HMC630LP3E](#) [HMC631LP3E](#) [HMC795LP5E](#) [LTC5598IUF](#)