

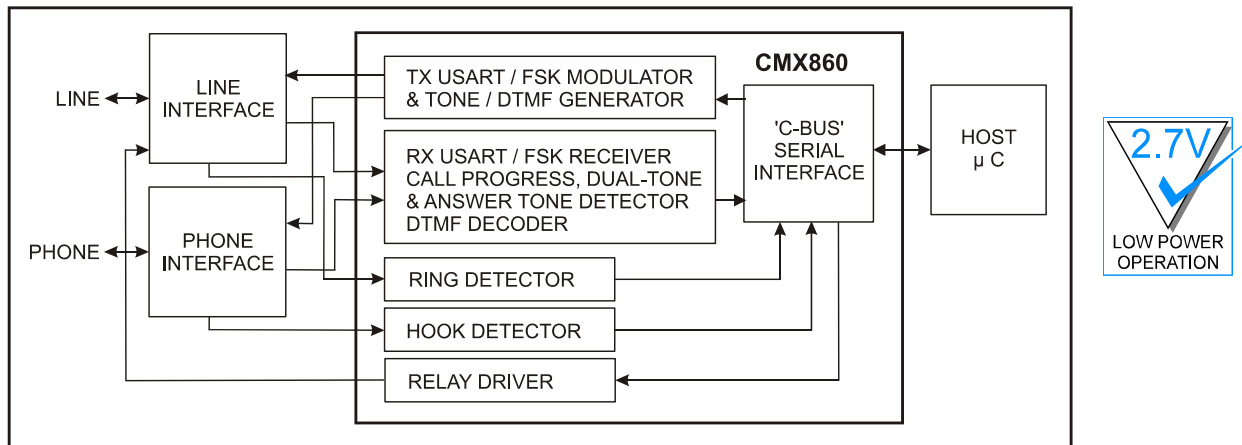
D/860/7 April 2008

Features

- V.23 & Bell 202 FSK Tx and Rx
- DTMF/Tones Transmit and Receive
- Line and Phone Complementary Drivers
- Call Progress Decoder
- Dual Tone Detection and Generation
- Simple 'C-BUS' Serial Interface
- Low Power Operation
- 'Powersave' Standby Mode

Applications

- Least Cost Routers
- Vending Machines
- Internet Appliances
- Home Management Systems
- Remote Meter Reading
- Alarm Systems
- Cable TV Set-Top Boxes
- Advanced Feature Phones



1.1 Brief Description

The CMX860 is a flexible, low-power Telephone Signalling Transceiver IC, designed for use in a wide range of line-powered telephone equipment. The IC combines the functions of a DTMF encoder and decoder, V.23 / Bell 202 modulator and demodulator plus call progression circuitry with analogue switching between line and phone interfaces. Ring detection, local phone off-hook detection and a relay driver for line hook-switch operation are also provided under the control of 'C-BUS'. The ring and hook detectors operate whilst the remainder of the IC is powersaved, generating an interrupt to wake-up the host μ C when further processing or signalling is required.

All on-chip functions and switching arrangements are controlled via a serial bus ('C-BUS'). The CMX860 is designed to operate at 2.7V and utilises CML's low power DTMF decoder and V.23 / Bell 202 modem technology. It is available in 28-pin SOIC (D1), TSSOP (E1) and SSOP (D6) packages.

<u>Section</u>	CONTENTS	<u>Page</u>
1.0	Features and Applications	3
1.1	Brief Description	3
1.2	Block Diagram	5
1.3	Signal List	6
1.4	External Components	8
1.4.1	Ring Detector Interface	10
1.4.2	Hook Detector Interface	11
1.4.5	RESETN pin	11
1.5	General Description	12
1.5.1	Tx USART	13
1.5.2	FSK Modulator	14
1.5.3	Tx Filter and Equaliser	14
1.5.4	DTMF/Tones Generator	14
1.5.5	Tx Level Control and Output Drivers	14
1.5.6	DTMF Decoder and Tone Detectors	15
1.5.7	Rx Modem Filter and Equaliser	16
1.5.8	FSK Demodulator	16
1.5.9	Rx Data Register and USART	16
1.5.10	Rx Modem Pattern Detectors	18
1.5.11	Analogue Signal Routing	18
1.5.12	'C-BUS' Interface	19
1.5.12.1	General Reset Command	19
1.5.12.2	General Control Register	21
1.5.12.3	Transmit Mode Register	23
1.5.12.4	Receive Mode Register	26
1.5.12.5	Tx Data Register	28
1.5.12.6	Rx Data Register	28
1.5.12.7	Analogue Signal Path Register	29
1.5.12.8	Status Register	30
1.5.12.9	Programming Register	33
1.5.12.10	Other Registers	35
1.6	Application Notes	36
1.7	Performance Specification	37
1.7.1	Electrical Performance	37
1.7.1.1	Absolute Maximum Ratings	37
1.7.1.2	Operating Limits	37
1.7.1.3	Operating Characteristics	38

It is always recommended that you check for the latest product datasheet version from the Datasheets page of the CML website: [www.cmlmicro.com].

1.2 Block Diagram

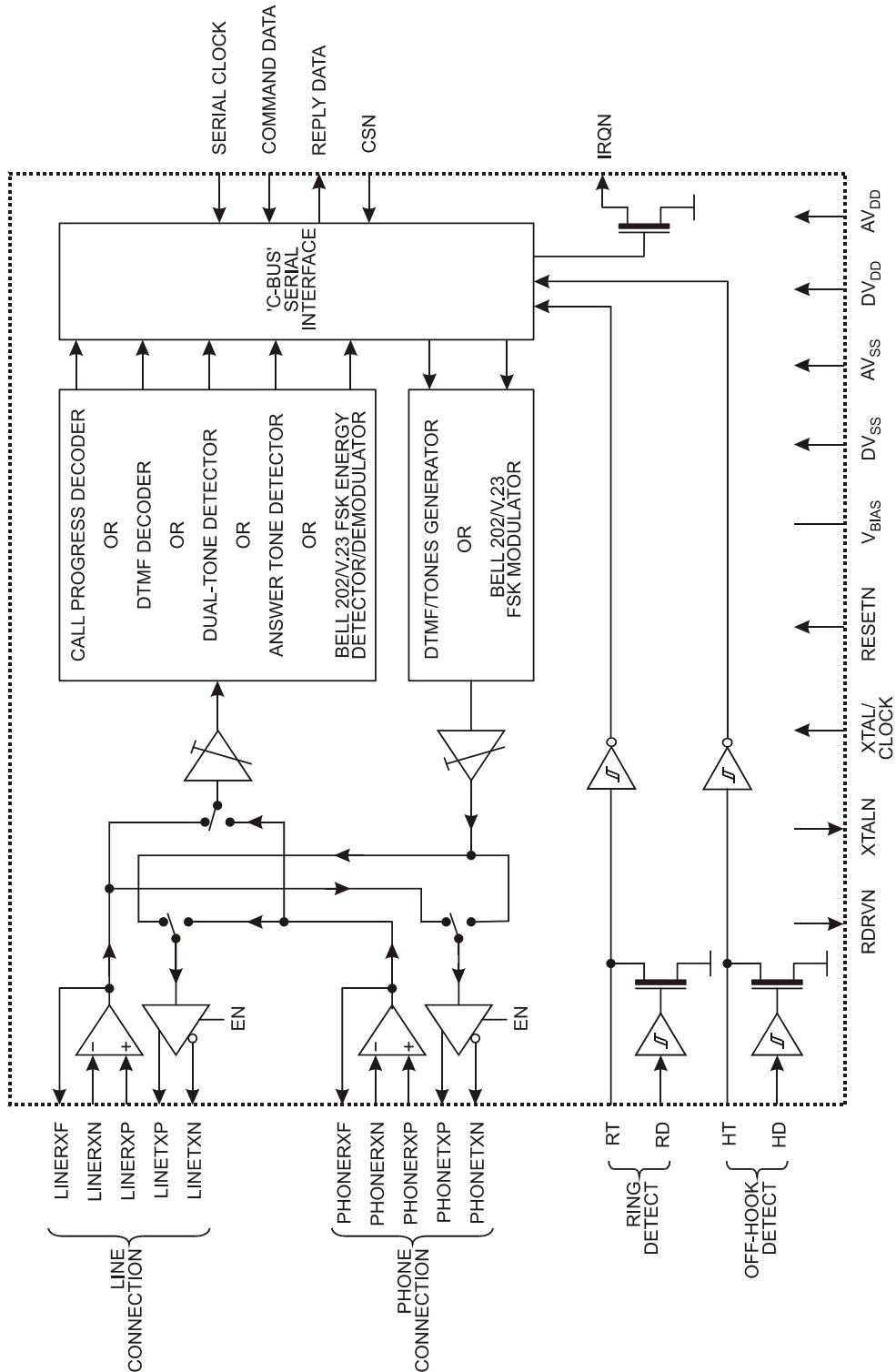


Figure 1 Block Diagram

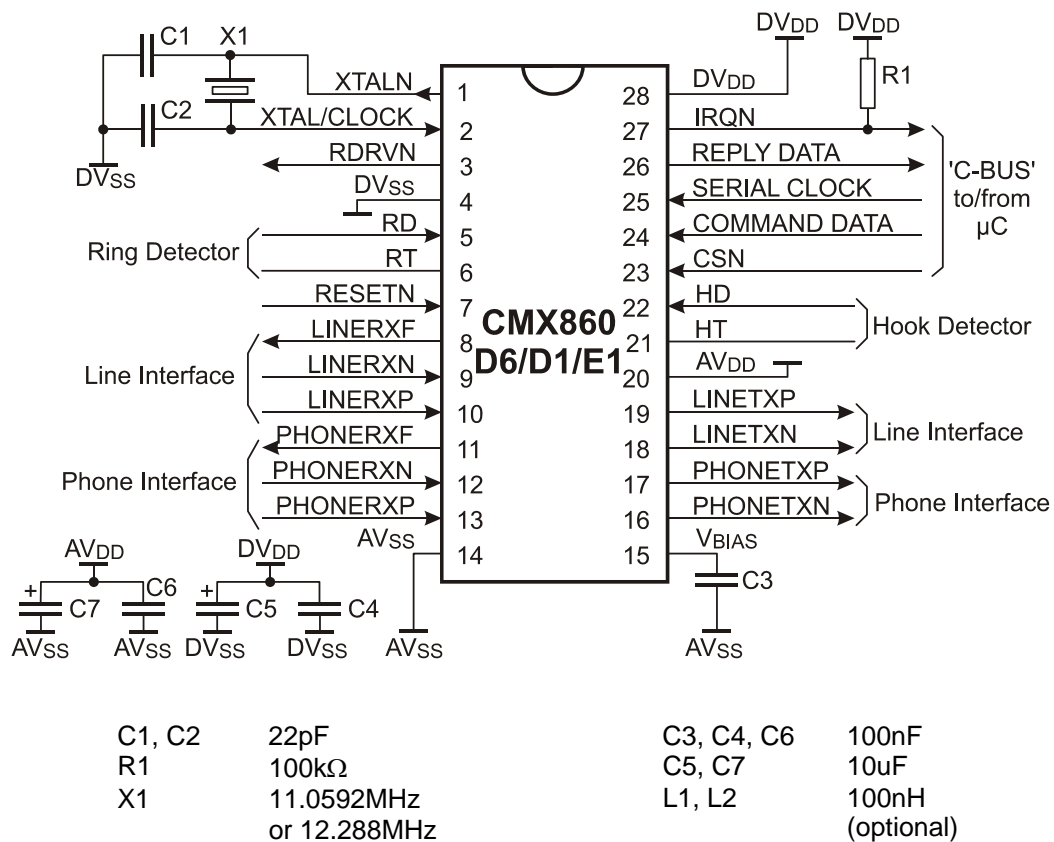
1.3 Signal List

CMX860 D6, D1, E1	Signal		Description
	Pin No.	Name	
1	XTALN	O/P	The output of the on-chip Xtal oscillator inverter.
2	XTAL/CLOCK	I/P	The input to the oscillator inverter from the Xtal circuit or external clock source.
3	RDRVN	O/P	Relay drive output, low resistance pull down to DVSS when active and medium resistance pull up to DVDD when inactive.
4	DVSS	Power	The digital negative supply rail (ground).
5	RD	I/P	Schmitt trigger input to the Ring signal detector. Connect to DVSS if Ring Detector not used.
6	RT	BI	Open drain output and Schmitt trigger input forming part of the Ring signal detector. Connect to DVDD if Ring Detector not used.
7	RESETN	I/P	An active-low reset pin.
8	LINERXF	O/P	The output of the Line Rx Input Amplifier.
9	LINERXN	I/P	The inverting input to the Line Rx Input Amplifier.
10	LINERXP	I/P	The non-inverting input to the Line Rx Input Amplifier.
11	PHONERXF	O/P	The output of the Phone Rx Input Amplifier.
12	PHONERXN	I/P	The inverting input to the Phone Rx Input Amplifier.
13	PHONERXP	I/P	The non-inverting input to the Phone Rx Input Amplifier.
14	AVSS	Power	The analogue negative supply rail (ground).
15	VBIAS	O/P	Internally generated bias voltage of approximately $AVDD / 2$, except when the device is in 'Powersave' mode when VBIAS will discharge to AVSS. Should be decoupled to AVSS by a capacitor mounted close to the device pins.
16	PHONETXN	O/P	The inverted output of the Phone Tx Output Driver.
17	PHONETXP	O/P	The non-inverted output of the Phone Tx Output Driver.
18	LINETXN	O/P	The inverted output of the Line Tx Output Driver.
19	LINETXP	O/P	The non-inverted output of the Line Tx Output Driver.
20	AVDD	Power	The analogue positive supply rail. Levels and thresholds within the device are proportional to this voltage.
21	HT	BI	Open drain output and Schmitt trigger input forming part of the Hook signal detector. Connect to DVDD if Hook Detector not used.

CMX860 D6, D1, E1	Signal		Description
	Pin No.	Name	
22	HD	I/P	Schmitt trigger input to the Hook signal detector. Connect to DVSS if Hook Detector not used.
23	CSN	I/P	The 'C-BUS' chip select input from the μ C.
24	COMMAND DATA	I/P	The 'C-BUS' serial data input from the μ C.
25	SERIAL CLOCK	I/P	The 'C-BUS' serial clock input from the μ C.
26	REPLY DATA	T/S	A 3-state 'C-BUS' serial data output to the μ C. This output is high impedance when not sending data to the μ C.
27	IRQN	O/P	A 'wire-ORable' output for connection to a μ C Interrupt Request input. This output is pulled down to DVSS when active and is high impedance when inactive. An external pullup resistor is required i.e. R1 of Figure 2.
28	DVDD	Power	The digital positive supply rail. Levels and thresholds within the device are proportional to this voltage.

I/P = Input O/P = Output BI = Bidirectional T/S = 3-state Output NC = No Connection

1.4 External Components



Resistors $\pm 5\%$, capacitors and inductors $\pm 20\%$ unless otherwise stated.

Figure 2a Recommended External Components for a Typical Application

This device is capable of detecting and decoding small amplitude signals. To achieve this DVDD, AVDD and VBIAS should be decoupled and the receive path protected from extraneous in-band signals. It is recommended that the printed circuit board is laid out with both AVSS and DVSS ground planes in the CMX860 area, as shown in Figure 2b, with provision to make a link between them close to the CMX860. To provide a low impedance connection to ground, the decoupling capacitors (C3 – C7) must be mounted as close to the CMX860 as possible and connected directly to their respective ground plane. This will be achieved more easily by using surface mounted capacitors.

VBIAS is used as an internal reference for detecting and generating the various analogue signals. It must be carefully decoupled, to ensure its integrity. Apart from the decoupling capacitor shown (C3), no other loads are allowed. If VBIAS needs to be used to set external analogue levels, it must be buffered with a high input impedance buffer.

The DVSS connections to the Xtal oscillator capacitors C1 and C2 should also be of low impedance and preferably be part of the DVSS ground plane to ensure reliable start up of the oscillator.

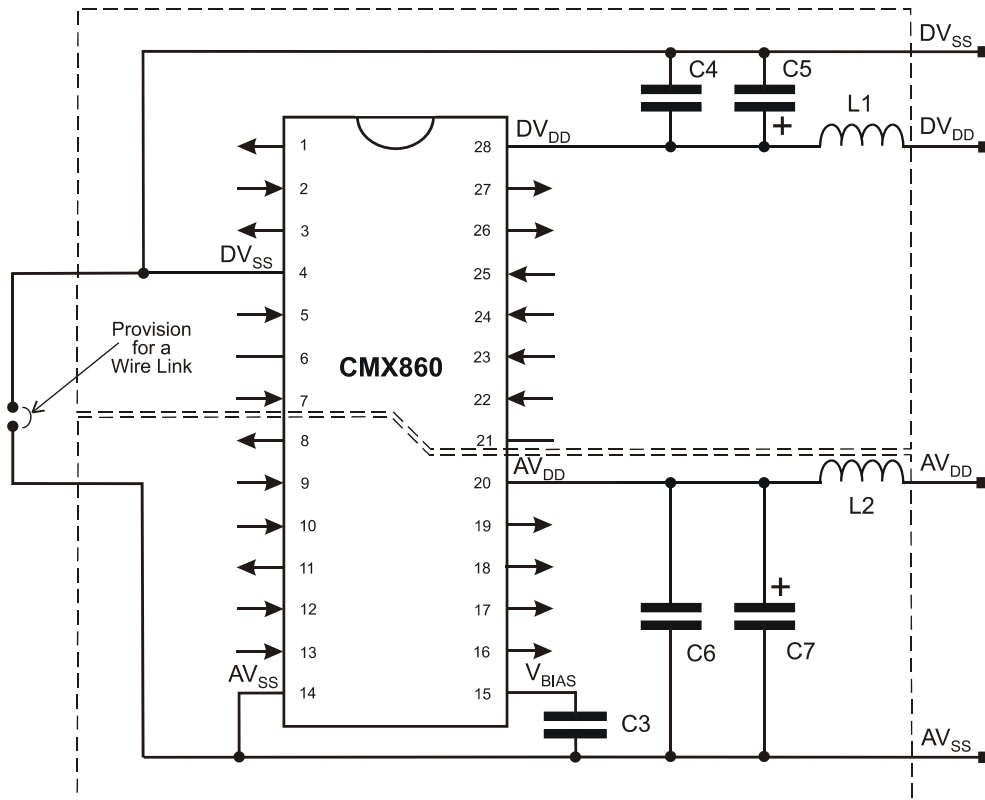


Figure 2b Recommended Power Supply Connections and De-coupling

	ANALOGUE		DIGITAL
C3, C6	100nF	C4	100nF
C7	10uF	C5	10uF
L2	100nH (optional, see note)	L1	100nH (optional, see note)

Note: The inductors L1 and L2 can be omitted but this may degrade system performance.

1.4.1 Ring Detector Interface

Figure 3 shows how the CMX860 may be used to detect the large amplitude ringing signal voltage present on the 2-wire line at the start of an incoming telephone call.

The ring signal is usually applied at the subscriber's exchange as an ac voltage inserted in series with one of the telephone wires and will pass through either C20 and R20 or C21 and R21 to appear at the top end of R22 (point X in Figure 3) in a rectified and attenuated form.

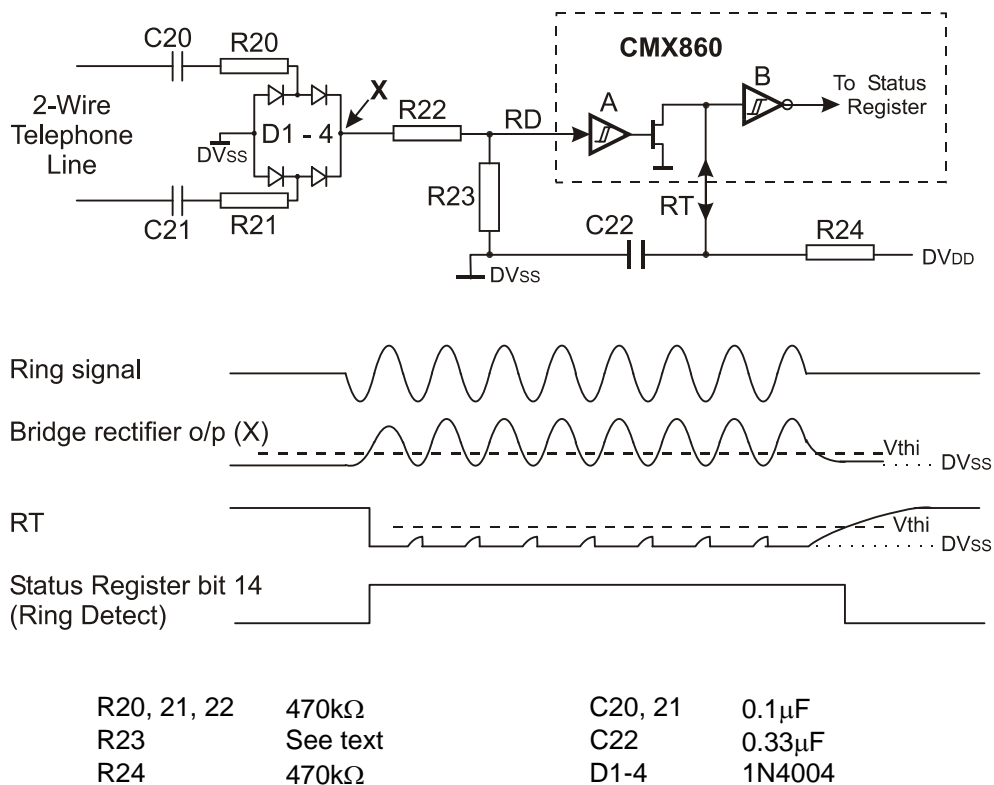
The signal at point X is further attenuated by the potential divider formed by R22 and R23 before being applied to the CMX860 RD input. If the amplitude of the signal appearing at RD is greater than the input threshold (V_{thi}) of Schmitt trigger 'A' then the N transistor connected to RT will be turned on, pulling the voltage at RT to DV_{SS} by discharging the external capacitor C22. The output of the Schmitt trigger 'B' will then go high, setting bit 14 (Ring Detect) of the Status Register.

The minimum amplitude ringing signal that is certain to be detected is:

$$(0.7 + V_{thi} \times [R20 + R22 + R23] / R23) \times 0.707 \text{ Vrms}$$

where V_{thi} is the high-going threshold voltage of the Schmitt trigger A (see section 1.7.1).

With R20 - R22 all 470k Ω as Figure 3, then setting R23 to 68k Ω will guarantee detection of ringing signals of 40Vrms and above for DV_{DD} over the range 3V to 5V.



Resistors $\pm 5\%$, capacitors $\pm 20\%$

Figure 3 Ring Signal Detector Interface Circuit

If the time constant of R24 and C22 is large enough then the voltage on RT will remain below the threshold of the 'B' Schmitt trigger for the duration of a ring cycle.

The time for the voltage on RT to charge from DV_{SS} towards DV_{DD} can be derived from the formula:

$$V_{RT} = DV_{DD} \times [1 - \exp(-t/(R24 \times C22))]]$$

As the Schmitt trigger high-going input threshold voltage (V_{thi}) has a minimum value of 0.56 x DV_{DD}, then the Schmitt trigger B output will remain high for a time of at least 0.821 x R24 x C22 following a pulse at RD.

The values of R24 and C22 given in Figure 3 (470kΩ and 0.33μF) give a minimum RT charge time of 100 msec, which is adequate for ring frequencies of 10Hz or above.

Note that the circuit will also respond to a telephone line voltage reversal. If necessary the μC can distinguish between a Ring signal and a line voltage reversal by measuring the time that bit 14 of the Status Register (Ring Detect) is high.

If the Ring detect function is not used then pin RD should be connected to DV_{SS} and RT to DV_{DD}.

1.4.2 Hook Detector Interface

This is identical internally to the Ring Detector interface circuit and similar components could be used externally, with appropriate values, if hook detection is to be performed by detecting a voltage change across the tip and ring lines to the local phone.

1.4.3 RESETN pin

When this pin is taken low, it performs the same operation as a C-BUS General Reset command. As a consequence the device will enter the powersaved state. Refer to section 1.5.12.1 (General Reset Command) and 1.5.12.2 (General Control Register, Powerup bit) for further information.

1.5 General Description

The CMX860 transmit and receive operating modes are independently programmable.

The transmit mode can be set to any one of the following:

V.23 modem. 1200 or 75 bps FSK.

Bell 202 modem. 1200 or 150 bps FSK.

DTMF transmit.

Single tone transmit (from a range of modem calling, answer and other tone frequencies)

User programmed tone or tone pair transmit (programmable frequencies and levels)

Disabled.

The receive mode can be set to any one of the following:

V.23 modem. 1200 or 75 bps FSK.

Bell 202 modem. 1200 or 150 bps FSK.

DTMF decode.

2100Hz and 2225Hz answer tone detect.

Call progress signal detect.

User programmed tone or tone pair detect.

Disabled.

The CMX860 may also be set into a Powersave mode which disables all circuitry except for the 'C-BUS' interface, the Ring Detector and the Hook Detector.

1.5.1 Tx USART

A flexible Tx USART is provided. It can be programmed to transmit continuous patterns, Start-Stop characters or Synchronous Data.

In both Synchronous Data and Start-stop modes the data to be transmitted is written by the μ C into the 8-bit 'C-BUS' Tx Data Register from which it is transferred to the Tx Data Buffer.

If Synchronous Data mode has been selected the 8 data bits in the Tx Data Buffer are transmitted serially, b0 being sent first.

In Start-stop mode a single Start bit is transmitted, followed by 5, 6, 7 or 8 data bits from the Tx Data Buffer - b0 first - followed by an optional Parity bit then - normally - one or two Stop bits. The Start, Parity and Stop bits are generated by the USART as determined by the Tx Mode Register settings and are not taken from the Tx Data Register.

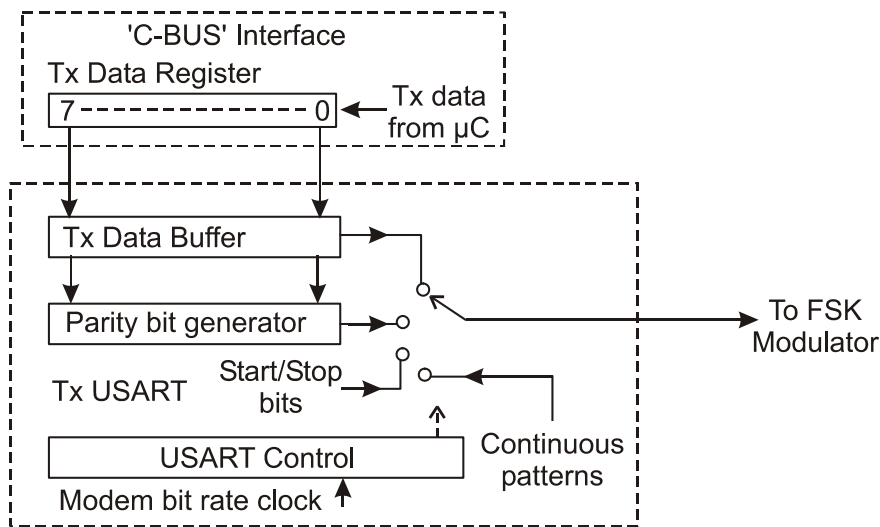


Figure 4a Tx USART

Every time the contents of the 'C-BUS' Tx Data Register are transferred to the Tx Data Buffer the Tx Data Ready flag bit of the Status Register is set to 1 to indicate that a new value should be loaded into the 'C-BUS' Tx Data Register. This flag bit is cleared to 0 when a new value is loaded into the Tx Data Register.

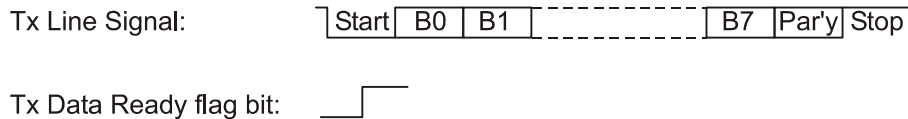


Figure 4b Tx USART Function (Start-Stop mode, 8 Data Bits + Parity)

If a new value is not loaded into the Tx Data Register in time for the next Tx Data Register to Tx Data Buffer transfer then the Status Register Tx Data Underflow bit will be set to 1. In this event the contents of the Tx Data Buffer will be re-transmitted if Synchronous Data mode has been selected, or if the Tx modem is in Start-stop mode then a continuous Stop signal (1) will be transmitted until a new value is loaded into the Tx Data Register.

The transmitted bit rates are determined by the XTAL frequency.

1.5.2 FSK Modulator

Serial data from the USART is fed to the FSK modulator. One of two frequencies is generated according to the current transmit data bit.

1.5.3 Tx Filter and Equaliser

The FSK modulator output signal is fed through the Transmit Filter and Equaliser block which limits the out-of-band signal energy to acceptable limits. When transmitting 1200bps FSK, this block includes a fixed compromise line equaliser which may be enabled or disabled by bit 10 of the General Control Register. The amount of Tx equalisation provided compensates for one quarter of the relative amplitude and delay distortion of ETS Test Line 1 over the frequency band used.

1.5.4 DTMF/Tones Generator

In DTMF/Tones mode this block generates DTMF signals or single or dual frequency tones.

1.5.5 Tx Level Control and Output Drivers

The CMX860 generated signal (if present) from the FSK/DTMF/Tones Generator is passed through the programmable Tx Level Control before being passed to the switched paths controlled by the Analogue Signal Path Register. The Tx Output Drivers have symmetrical outputs to provide sufficient line voltage swing at low values of AVDD and to reduce harmonic distortion of the signal. The Drivers can also transmit the signal from the other port (e.g. Phone Input to Line Driver) or can be independently set to Bias or Powersaved – see Analogue Signal Path Register.

1.5.6 DTMF Decoder and Tone Detectors

In Rx Tones Detect mode the received signal, after passing through the Rx Gain Control block, is fed to the DTMF decoder and Dual Tone/Call Progress/Answer Tone detector. The user may select one of four separate operations:

The DTMF decoder detects standard DTMF signals. A valid DTMF signal will set bit 5 of the Status Register to 1 for as long as the signal is detected. The DTMF signal is then decoded and output in bits 0 to 3 of the Status Register.

The programmable tone pair detector includes two separate tone detectors (see Figure 9a). The first detector will set bit 6 of the Status Register for as long as a valid signal is detected, the second detector sets bit 7, and bit 10 of the Status Register will be set when both tones are detected. The frequency and bandwidth of each detector can be set in the Programming Register. Without programming, the default values in the Programming Register are set for 2130 and 2750 Hz detection.

The Call Progress detector measures the amplitude of the signal at the output of a 275 Hz - 665 Hz bandpass filter and sets bit 10 of the Status Register to 1 when the signal level exceeds the measurement threshold.

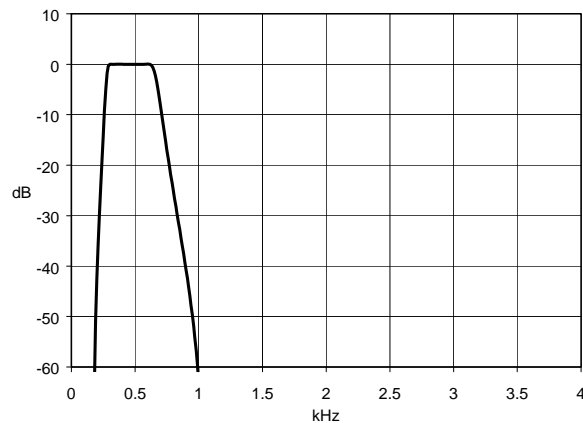


Figure 5a Response of the Call Progress Filter

The Answer Tone detector measures both amplitude and frequency of the received signal and sets bit 6 or bit 7 respectively of the Status Register when a valid 2225Hz or 2100Hz signal is received.

1.5.7 Rx Modem Filter and Equaliser

When the receive part of the CMX860 is operating as a modem, the received signal is fed to a bandpass filter to attenuate unwanted signals and to provide fixed compromise line equalisation. The line equaliser may be enabled or disabled by bit 10 of the General Control Register and compensates for one quarter of the relative amplitude and delay distortion of ETS Test Line 1.

A typical response of this filter, including the line equaliser, is shown in Figure 5b. The effect of external components should also be considered in determining the overall response:

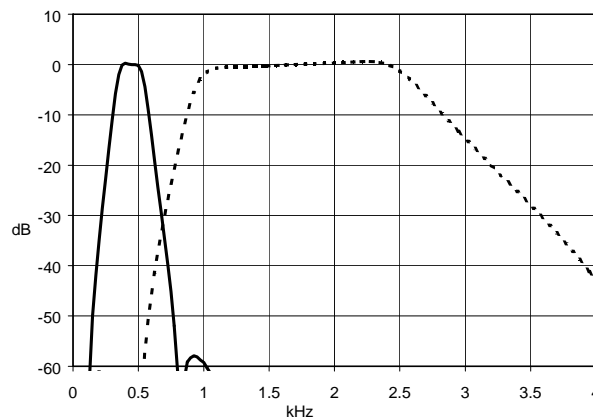


Figure 5b V.23 / Bell 202 Rx Filters

The signal level at the output of the Receive Modem Filter and Equaliser is measured in the Modem Energy Detector block, compared to a threshold value, and the result controls bit 10 of the Status Register.

The output of the Receive Modem Filter and Equaliser is also fed to the FSK demodulator.

1.5.8 FSK Demodulator

The FSK demodulator recognises individual frequencies as representing received '1' or '0' data bits:

The FSK demodulator produces a serial data bit stream which is fed to the Rx USART block, see Figure 6a. This bit stream is also monitored for continuous '1010's and for continuous 1's. The outputs of these pattern detectors control bits 9 and 7 respectively of the Status Register.

1.5.9 Rx Data Register and USART

The Rx USART can be programmed to treat the received data bit stream as Synchronous data or as Start-Stop characters.

In Synchronous mode the received data bits are all fed into the Rx Data Buffer which is copied into the 'C-BUS' Rx Data Register after every 8 bits.

In Start-stop mode the USART Control logic looks for the start of each character, then feeds only the required number of data bits (not parity) into the Rx Data Buffer. The parity bit (if used) and the presence

of a Stop bit are then checked and the data bits in the Rx Data Buffer copied to the 'C-BUS' Rx Data Register.

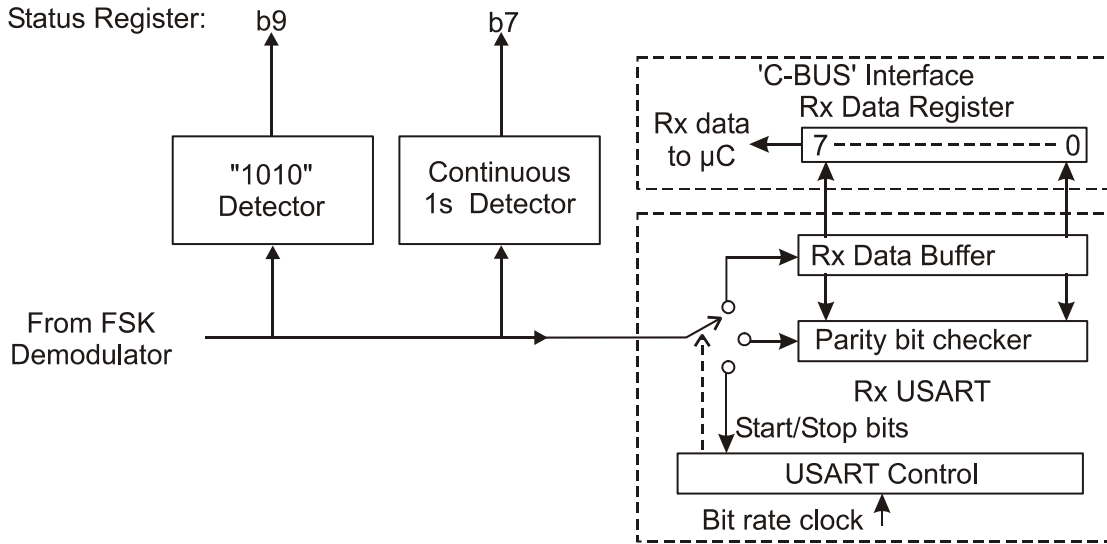


Figure 6a Rx Modem Data Paths

Whenever a new character is copied into the 'C-BUS' Rx Data Register, the Rx Data Ready flag bit of the Status Register is set to 1 to prompt the µC to read the new data, and, in Start-stop mode, the Even Rx Parity flag bit of the Status Register is updated.

In Start-stop mode, if the Stop bit is missing (received as a '0' instead of a '1') the received character will still be placed into the Rx Data Register and the Rx Data Ready flag bit set, but the Status Register Rx Framing Error bit will also be set to '1' and the USART will re-synchronise onto the next '1' – '0' (Stop – Start) transition. The Rx Framing Error bit will remain set until the next character has been received.

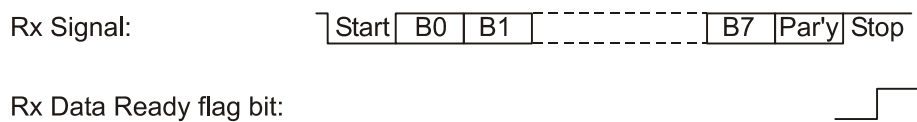


Figure 6b Rx USART Function (Start-stop mode, 8 Data Bits + Parity)

If the µC has not read the previous data from the Rx Data Register by the time that new data is copied to it from the Rx Data Buffer then the Rx Data Overflow flag bit of the Status Register will be set to 1.

The Rx Data Ready flag and Rx Data Overflow bits are cleared to 0 when the Rx Data Register is read by the µC.

1.5.10 Rx Modem Pattern Detectors

The '1010' pattern detector will set bit 9 of the Status Register when 32 bits of alternating 1's and 0's have been received. The continuous 1's detector will set bit 7 of the Status Register when 32 consecutive 1's have been received. Both pattern detectors will hold their 'detect' output for 12 bit times after the end of the detected pattern unless the received bit rate or operating mode is changed, in which case the detectors are reset within 2ms.

1.5.11 Analogue Signal Routing

The routing of signals to and from the Line and Phone interfaces is performed by bits 0 to 4 of the Analogue Signal Path Register. Please note that bits 5 to 7 of this register are reserved for future use and should be set to zero.

1.5.12 'C-BUS' Interface

This block provides for the transfer of data and control or status information between the CMX860's internal registers and the μ C over the 'C-BUS' serial bus. Each transaction consists of a single Register Address byte sent from the μ C which may be followed by one or more data byte(s) sent from the μ C to be written into one of the CMX860's Write Only Registers, or one or more byte(s) of data read out from one of the CMX860's Read Only Registers, as illustrated in Figure 7.

Data sent from the μ C on the Command Data line is clocked into the CMX860 on the rising edge of the Serial Clock input. Reply Data sent from the CMX860 to the μ C is valid when the Serial Clock is high. The CSN line must be held low during a data transfer and kept high between transfers. The 'C-BUS' interface is compatible with most common μ C serial interfaces and may also be easily implemented with general purpose μ C I/O pins controlled by a simple software routine. Figure 13 gives detailed 'C-BUS' timing requirements.

The following 'C-BUS' addresses and registers are used by the CMX860:

General Reset Command (address only, no data).	Address \$01
General Control Register, 16-bit write only.	Address \$E0
Transmit Mode Register, 16-bit write-only.	Address \$E1
Receive Mode Register, 16-bit write-only.	Address \$E2
Transmit Data Register, 8-bit write only.	Address \$E3
Receive Data Register, 8-bit read-only.	Address \$E5
Status Register, 16-bit read-only.	Address \$E6
Programming Register, 16-bit write-only.	Address \$E8
Analogue Signal Path Register, 8-bit write-only.	Address \$EC

- Notes:
1. The 'C-BUS' addresses \$E9, \$EA and \$EB are allocated for production testing and should not be accessed in normal operation.
 2. The 'C-BUS' address \$E4 is allocated for internal use and should not be accessed in normal operation.
 3. In several registers there are bit patterns whose function is not specified. These modes should not be accessed in normal operation and no guarantee is given that any use of these bits will be supported in the future.

1.5.12.1 General Reset Command

General Reset Command (no data) 'C-BUS' address \$01

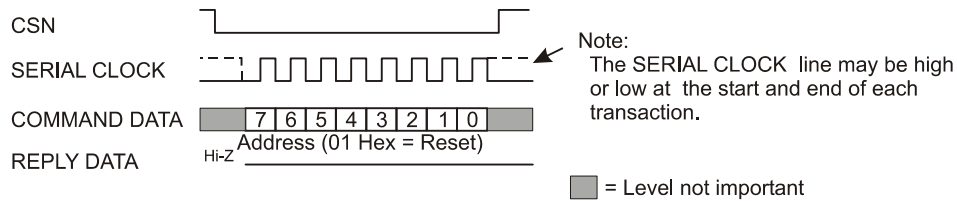
This command resets the device and clears all bits of the General Control, Analogue Signal Path, Programming, Transmit Mode and Receive Mode Registers and all bits of the Status Register except b14 and b8.

The clearing of the General Control Register will put the device into Powersave. See the description of General Control Register b8 for the procedure on how to power-up the device.

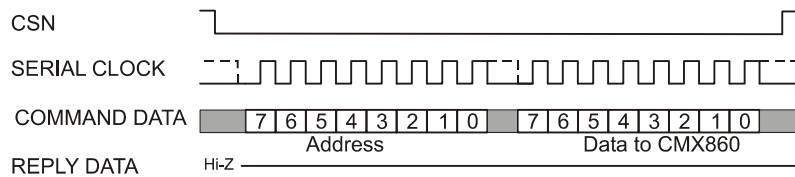
Whenever power is applied to the CMX860, a General Reset command should be sent to the device or the RESETN pin should be pulsed low. Either action will cause the device to enter a powersave state (General Control Register bit 8 will be cleared to '0'). Note that the CMX860 does not automatically perform a power-on reset when power is first applied.

To bring the device out of powersave, please refer to the description of bits 7 and 8 in the General Control Register, section 1.5.12.2.

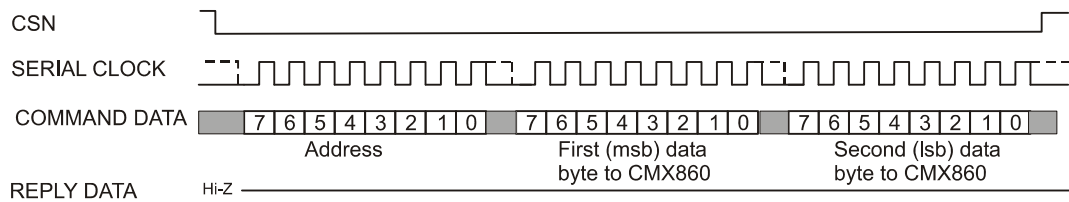
a) Single byte from μ C



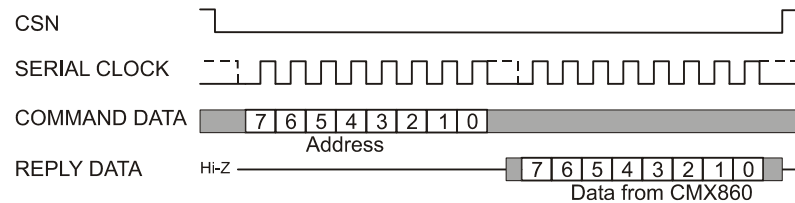
b) One Address and one Data byte from μ C



c) One Address and 2 Data bytes from μ C



d) One Address byte from μ C and one Reply byte from CMX860



e) One Address byte from μ C and 2 Reply bytes from CMX860

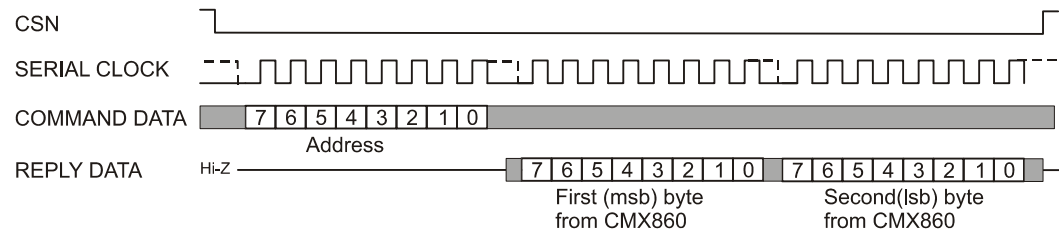


Figure 7 'C-BUS' Transactions

1.5.12.2 General Control Register

General Control Register: 16-bit write-only. 'C-BUS' address \$E0

This register controls general features of the CMX860 such as the Powersave mode, the IRQ mask bits and the Relay Drive output. It also allows the fixed compromise equalisers in the Tx and Rx signal paths to be disabled if desired, and sets the internal clock dividers to use either a 11.0592 or a 12.288 MHz XTAL frequency.

All bits of this register are cleared to 0 by a General Reset command.

Bit:	15	14	13	12	11	10	9	8	7	6	5	4	3	2	1	0
	0	0	0	Xtal freq	Hook IRQ Mask	Equ	Rly drv	Pwr	Rst	Irqn en	IRQ Mask Bits					

General Control Register b15-13: Reserved, set to 000

General Control Register b12: Xtal frequency

This bit should be set according to the Xtal frequency.

b12 = 1	11.0592MHz
b12 = 0	12.2880MHz

General Control Register b11: Hook Detect IRQ Mask bit

This bit affects the operation of the IRQ bit of the Status Register as described in section 1.5.12.8

General Control Register b10: Tx and Rx Fixed Compromise Equaliser

This bit allows the Tx and Rx fixed compromise equaliser in the modem transmit and receive filter blocks to be disabled.

b10 = 1	Disable equaliser
b10 = 0	Enable equaliser (1200bps modem mode)

General Control Register b9: Relay Drive

This bit directly controls the RDRVN output pin.

b9 = 1	RDRVN output pin pulled to DVSS
b9 = 0	RDRVN output pin pulled to DVDD

General Control Register b8: Powerup

This bit controls the internal power supply to most of the internal circuits, including the Xtal oscillator and VBIAS supply. Note that the General Reset command clears this bit, putting the device into Powersave mode.

b8 = 1	Device powered up normally
b8 = 0	Powersave mode (all circuits except Ring Detect, Hook Detect, RDRVN and 'C-BUS' interface disabled)

When power is first applied to the device, the following powerup procedure should be followed to ensure correct operation.

- i. (Power is applied to the device)
- ii. Issue a General Reset command or momentarily set the RESETN pin low.
- iii. Write to the General Control Register (address \$E0) setting both the Powerup bit (b8) and the Reset bit (b7) to 1 – leave in this state for a minimum of about 20ms – it is required that the crystal initially runs for this time in order to clock the internal logic into a defined state. The device is now powered up, with the crystal and VBIAS supply operating, but is otherwise not running any transmit or receive functions.
- iv. The device is now ready to be programmed as and when required. Examples:
 - A General Reset command could be issued to clear all the registers and therefore powersave the device.
 - The Reset bit in the General Control Register could be set to 0 as part of a routine to program all the relevant registers for setting up a particular operating mode.

When the device is switched from Powersave mode to normal operation by setting the Powerup bit to 1, the Reset bit should also be set to 1 and should be held at 1 for about 20ms while the internal circuits, Xtal oscillator and V_{BIAS} stabilise before starting to use the transmitter or receiver.

General Control Register b7: Reset

Setting this bit to 1 resets the CMX860's internal circuitry, clearing all bits of the Analogue Signal Path, Programming, Transmit and Receive Mode Registers and b13-0 of the Status Register.

b7 = 1	Internal circuitry in a reset condition.
b7 = 0	Normal operation

General Control Register b6: IRQNEN (IRQN O/P Enable)

Setting this bit to 1 enables the IRQN output pin.

b6 = 1	IRQN pin driven low (to DVss) if the IRQ bit of the Status Register = 1
b6 = 0	IRQN pin disabled (high impedance)

General Control Register b5-0: IRQ Mask bits

These bits affect the operation of the IRQ bit of the Status Register as described in section 1.5.12.8

1.5.12.3 Transmit Mode Register

Transmit Mode Register: 16-bit write-only. 'C-BUS' address \$E1

This register controls the CMX860 transmit signal type and level. All bits of this register are cleared to 0 by a General Reset command, or when b7 (Reset) of the General Control Register is 1.

Bit:	15	14	13	12	11	10	9	8	7	6	5	4	3	2	1	0
	Tx mode = modem				Tx level			set to 00		set to 00		Start-stop / synch data		# data bits / synch data source		
	Tx mode = DTMF/Tones				Tx level			Unused, set to 0000				DTMF or Tone select				
	Tx mode = Disabled				Set to 0000 0000 0000											

Tx Mode Register b15-12: Tx mode

These 4 bits select the transmit operating mode.

b15	b14	b13	b12		
0	1	0	1	V.23 FSK	1200 bps
0	1	0	0	V.23 FSK	75 bps
0	0	1	1	Bell 202 FSK	1200 bps
0	0	1	0	Bell 202 FSK	150 bps
0	0	0	1	DTMF / Tones	
0	0	0	0	Transmitter disabled	

Tx Mode Register b11-9: Tx level

These 3 bits set the gain of the Tx Level Control block.

b11	b10	b9	
1	1	1	0dB
1	1	0	-1.5dB
1	0	1	-3.0dB
1	0	0	-4.5dB
0	1	1	-6.0dB
0	1	0	-7.5dB
0	0	1	-9.0dB
0	0	0	-10.5dB

Tx Mode Register b8-5: Reserved, set to 0000**Tx Mode Register b4-3: Tx Data Format (both FSK modes)**

These two bits select Synchronous or Start-stop mode and the addition of a parity bit to transmitted characters in Start-stop mode.

b4	b3	
1	1	Synchronous mode
1	0	Start-stop mode, no parity
0	1	Start-stop mode, even parity bit added to data bits
0	0	Start-stop mode, odd parity bit added to data bits

Tx Mode Register b2-0: Tx Data and Stop bits (FSK Start-stop mode)

In Start-stop mode these three bits select the number of Tx data and stop bits.

b2	b1	b0	
1	1	1	8 data bits, 2 stop bits
1	1	0	8 data bits, 1 stop bit
1	0	1	7 data bits, 2 stop bits
1	0	0	7 data bits, 1 stop bit
0	1	1	6 data bits, 2 stop bits
0	1	0	6 data bits, 1 stop bit
0	0	1	5 data bits, 2 stop bits
0	0	0	5 data bits, 1 stop bit

Tx Mode Register b2-0: Tx Data source (FSK Synchronous mode)

In Synchronous mode (b4-3 = 11) these three bits select the source of the data fed to the Tx FSK modulator.

b2	b1	b0	
1	x	x	Data bytes from Tx Data Buffer
0	1	1	Continuous 1s
0	1	0	Continuous 0s
0	0	x	Continuous alternating 1s and 0s

Tx Mode Register b8-0: DTMF/Tones mode

If DTMF/Tones transmit mode has been selected (Tx Mode Register b15-12 = 0001) then b8-5 should be set to 0000 and b4-0 will select a DTMF signal or a fixed tone or one of four programmed tones or tone pairs for transmission.

b4 = 0: Tx fixed tone or programmed tone pair

b3	b2	b1	b0	Tone frequency (Hz)	
0	0	0	0	No tone	
0	0	0	1	697	
0	0	1	0	770	
0	0	1	1	852	
0	1	0	0	941	
0	1	0	1	1209	
0	1	1	0	1336	
0	1	1	1	1477	
1	0	0	0	1633	
1	0	0	1	1300	(Calling tone)
1	0	1	0	2100	(Answer tone)
1	0	1	1	2225	(Answer tone)
1	1	0	0	Tone pair TA	Programmed Tx tone / tone pair, see 1.5.12.9
1	1	0	1	Tone pair TB	"
1	1	1	0	Tone pair TC	"
1	1	1	1	2130 and 2750 Hz by default	Tx tone / tone pair TD when TD programmed

b4 = 1: Tx DTMF

b3	b2	b1	b0	Low frequency (Hz)	High frequency (Hz)	Keypad symbol
0	0	0	0	941	1633	D
0	0	0	1	697	1209	1
0	0	1	0	697	1336	2
0	0	1	1	697	1477	3
0	1	0	0	770	1209	4
0	1	0	1	770	1336	5
0	1	1	0	770	1477	6
0	1	1	1	852	1209	7
1	0	0	0	852	1336	8
1	0	0	1	852	1477	9
1	0	1	0	941	1336	0
1	0	1	1	941	1209	*
1	1	0	0	941	1477	#
1	1	0	1	697	1633	A
1	1	1	0	770	1633	B
1	1	1	1	852	1633	C

1.5.12.4 Receive Mode Register

Receive Mode Register: 16-bit write-only. 'C-BUS' address \$E2

This register controls the CMX860 receive signal type and level.

All bits of this register are cleared to 0 by a General Reset command, or when b7 (Reset) of the General Control Register is 1.

Bit:	15	14	13	12	11	10	9	8	7	6	5	4	3	2	1	0
	Rx mode = modem				Rx level			Set to 00			Start-stop/Synch		No. of bits and parity			
	Rx mode = Tones detect				Rx level			DTMF/Tones/Call Progress select								
	Rx mode = Disabled				Set to 0000 0000 0000 (bit 8 should be set to '0')											

Rx Mode Register b15-12: Rx mode

These 4 bits select the receive operating mode.

b15	b14	b13	b12	
0	1	0	1	V.23 FSK 1200 bps
0	1	0	0	V.23 FSK 75 bps
0	0	1	1	Bell 202 FSK 1200 bps
0	0	1	0	Bell 202 FSK 150 bps
0	0	0	1	DTMF, Programmed tone pair, Answer Tone, Call Progress detect
0	0	0	0	Receiver disabled

Rx Mode Register b11-9: Rx level

These three bits set the gain of the Rx Gain Control block.

b11	b10	b9	
1	1	1	0dB
1	1	0	-1.5dB
1	0	1	-3.0dB
1	0	0	-4.5dB
0	1	1	-6.0dB
0	1	0	-7.5dB
0	0	1	-9.0dB
0	0	0	-10.5dB

Rx Mode Register b8-6: Reserved, set to 000**Rx Mode Register b5-3: Rx USART Setting (both FSK modes)**

These three bits select the Rx USART operating mode.

b5	b4	b3	
1	1	1	Rx Synchronous mode
1	1	0	Rx Start-stop mode
0	x	x	Rx USART function disabled

Rx Mode Register b2-0: Rx Data bits and parity (FSK Start-stop mode)

In Start-stop mode these three bits select the number of data bits (plus any parity bit) in each received character.

b2	b1	b0	
1	1	1	8 data bits + parity
1	1	0	8 data bits
1	0	1	7 data bits + parity
1	0	0	7 data bits
0	1	1	6 data bits + parity
0	1	0	6 data bits
0	0	1	5 data bits + parity
0	0	0	5 data bits

Rx Mode Register b2-0: Rx Data bits and parity (FSK Synchronous mode)

These bits are ignored in Synchronous mode.

Rx Mode Register b2-0: Tones Detect mode

In Tones Detect Mode (Rx Mode Register b15-12 = 0001) b8-3 should be set to 000000

Bits 2-0 select the detector type.

b2	b1	b0	
1	0	0	Programmable Tone Pair Detect
0	1	1	Call Progress Detect
0	1	0	2100, 2225Hz Answer Tone Detect
0	0	1	DTMF Decode
0	0	0	Disabled

1.5.12.5 Tx Data Register

Tx Data Register: 8-bit write-only. 'C-BUS' address \$E3

Bit:	7	6	5	4	3	2	1	0
Data bits to be transmitted								

In Synchronous Tx data mode this register contains the next 8 data bits to be transmitted. Bit 0 is transmitted first.

In Tx Start-stop mode the specified number of data bits will be transmitted from this register (b0 first). A Start bit, a Parity bit (if required) and Stop bit(s) will be added automatically.

This register should only be written to when the Tx Data Ready bit of the Status Register is 1.

1.5.12.6 Rx Data Register

Rx Data Register: 8-bit read-only. 'C-BUS' address \$E5

Bit:	7	6	5	4	3	2	1	0
Received data bits								

In unformatted Rx data mode this register contains 8 received data bits, b0 of the register holding the earliest received bit, b7 the latest.

In Rx Start-stop data mode this register contains the specified number of data bits from a received character, b0 holding the first received bit.

1.5.12.7 Analogue Signal Path Register

Analogue Signal Path Register: 8-bit write-only. 'C-BUS' address \$EC

This register controls the routing of the analogue signal paths and controls the output drivers.

Bit:	7	6	5	4	3	2	1	0
	0	0	0	Line Driver Mode		Phone Driver Mode		Input Selector Control

Bits 7-5 of the Analogue Signal Path Register are reserved for future use and should be set to 0.

Analogue Signal Path Register b4-3: Line Driver Mode

These bits control the complementary Line Driver and select the signal to be transmitted.

b4	b3	Line Driver Mode
0	0	Off / High Impedance
0	1	Transmit Phone-derived Signal
1	0	Transmit CMX860 Generated Signal
1	1	Transmit Bias Level

Analogue Signal Path Register b2-1: Phone Driver Mode

These bits control the complementary Phone Driver and select the signal to be transmitted.

b2	b1	Phone Driver Mode
0	0	Off / High Impedance
0	1	Transmit Line-derived Signal
1	0	Transmit CMX860 Generated Signal
1	1	Transmit Bias Level

Analogue Signal Path Register b0: Input Selector Control

This bit selects between the Line and Phone as inputs to the CMX860's decoders/detectors. Note: both op-amps remain powered up even when not selected (unless device is powersaved).

b0 = 1	Line-derived signal to decoders/detectors
b0 = 0	Phone-derived signal to decoders/detectors

Notes:

- 'Line-derived signal' means the signal at the output of the Line input op-amp. 'Phone-derived signal' means the signal at the output of the Phone input op-amp. The 'CMX860 Generated Signal' means the signal from the DTMF/Tones or FSK generators.
- When the device is put into Powersave by setting Bit 8 of the General Control Register to 1, the transmit drivers and receive op-amps are powersaved and their outputs go high impedance. The settings of the Analogue Signal Path Register are unaffected, however.

1.5.12.8 Status Register

Status Register: 16-bit read-only. 'C-BUS' address \$E6

Bits 13-9 and 7-0 of this register are cleared to 0 by a General Reset command, or when b7 (Reset) of the General Control Register is 1.

Bit:	15	14	13	12	11	10	9	8	7	6	5	4	3	2	1	0
	IRQ	RD	PF	See below for uses of these bits												

The meanings of the Status Register bits 12-9 and 7-0 depend on whether the receive circuitry is in Modem or Tones Detect mode.

Status Register bits:

	Rx Modem modes	Rx Tones Detect modes	** IRQ Mask bit
b15	IRQ		
b14	Set to 1 on Ring Detect		b5
b13	Programming Flag bit. See 1.5.12.9		b4
b12	Set to 1 on Tx data ready. Cleared by write to Tx Data Register		b3
b11	Set to 1 on Tx data underflow. Cleared by write to Tx Data Register		b3
b10	1 when energy is detected in Rx modem signal band	1 when energy is detected in Call Progress band or when both programmable tones are detected	b2
b9	1 when '1010..' pattern is detected in FSK modes	0	b1
b8	Set to 1 on Hook Detect		b11
b7	1 when continuous 1's pattern detected in FSK modes	1 when 2100Hz answer tone or the second programmable tone is detected	b1
b6	Set to 1 on Rx data ready. Cleared by read from Rx Data Register	1 when 2225Hz answer tone or the first programmable tone is detected	b0
b5	Set to 1 on Rx data overflow. Cleared by read from Rx Data Register	1 when DTMF code is detected	b0
b4	Set to 1 on Rx framing error	0	-
b3	Set to 1 on even Rx parity	Rx DTMF code b3, see table	-
b2	0	Rx DTMF code b2	-
b1	0	Rx DTMF code b1	-
b0	FSK frequency demodulator output	Rx DTMF code b0	-

Note: ** This column shows the corresponding IRQ Mask bits in the General Control Register.

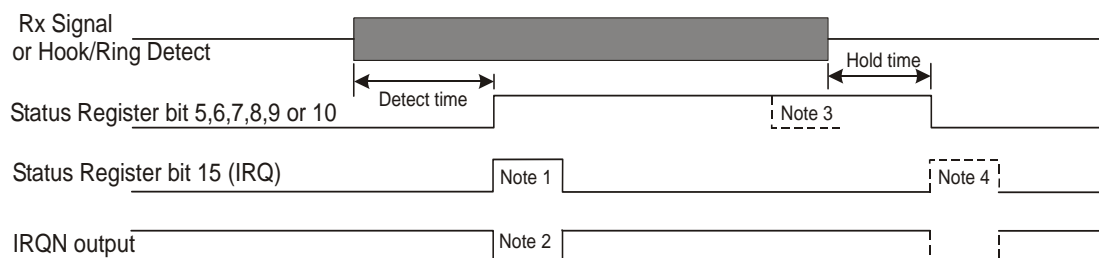
Certain events of the Status Register bits 14-5 will cause the IRQ bit b15 to be set to 1 if the corresponding IRQ Mask bit is 1. These events are:

for Status Register Bit 14 (Ring Detect), Bit 10 (Energy or Call Progress / Programmable Tones Detect) and Bit 8 (Hook Detect), both positive-going (0 to 1) and negative-going (1 to 0) transitions,

for the remaining Status Register bits, only positive-going (0 to 1) transitions.

The IRQ bit is cleared by a read of the Status Register or a General Reset command or by setting b7 or b8 of the General Control Register to 1.

The operation of the data demodulator and pattern detector circuits within the CMX860 does not depend on the state of the Rx energy detect function.



- Notes:
1. IRQ will go high only if appropriate IRQ Mask bit in General Control Register is set. The IRQ bit is cleared by a read of the Status Register.
 2. IRQN o/p will go low when IRQ bit high if IRQNEN bit of General Control Register is set.
 3. In Rx Modem modes Status Register bits 5 and 6 are set by a Rx Data Ready or Rx Data Underflow event and cleared by a read of the Rx Data Register.
 4. Status Bits 14,10 and 8 will also set the IRQ bit to 1 on a negative-going transition.

Figure 8a Operation of Status Register bits 5-10

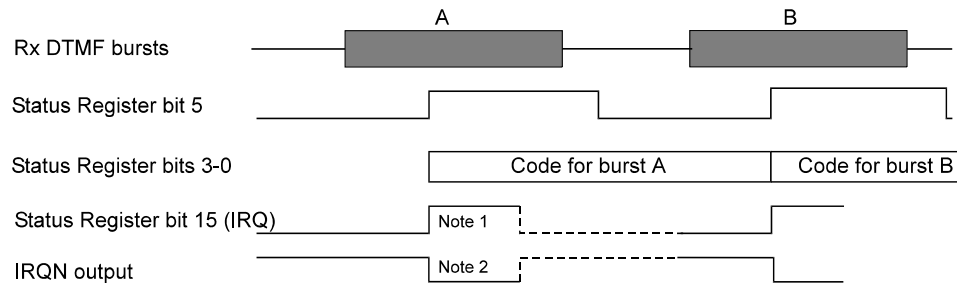
The IRQN output pin will be pulled low (to DVSS) when the IRQ bit of the Status Register and the IRQNEN bit (b6) of the General Control Register are both 1.

Changes to Status Register bits caused by a change of Tx or Rx operating mode can take up to 150 μ s to take effect.

In Powersave mode or when the Reset bit (b7) of the General Control Register is 1, the Ring Detect bit (b14) and the Hook Detect bit (b8) continue to operate.

Rx Modem Mode:

In Rx Modem mode b0 will show the output of the frequency demodulator, updated at 8 times the nominal data rate.

Rx Tones Detect Mode:

- Notes: 1. IRQ will go high only if the IRQ Mask bit b0 in the General Control Register is set. The IRQ bit is cleared by a read of the Status Register.
2. IRQN o/p will go low when IRQ bit high if IRQNEN bit of General Control Register is set

Figure 8b Operation of Status Register for DTMF Rx

b3	b2	b1	b0	Low frequency (Hz)	High frequency (Hz)	Keypad symbol
0	0	0	0	941	1633	D
0	0	0	1	697	1209	1
0	0	1	0	697	1336	2
0	0	1	1	697	1477	3
0	1	0	0	770	1209	4
0	1	0	1	770	1336	5
0	1	1	0	770	1477	6
0	1	1	1	852	1209	7
1	0	0	0	852	1336	8
1	0	0	1	852	1477	9
1	0	1	0	941	1336	0
1	0	1	1	941	1209	*
1	1	0	0	941	1477	#
1	1	0	1	697	1633	A
1	1	1	0	770	1633	B
1	1	1	1	852	1633	C

Received DTMF Code: b3-0 of Status Register

1.5.12.9 Programming Register (includes generation & detection of 2130 and 2750 Hz)

Programming Register : 16-bit write-only. 'C-BUS' address \$E8

This register is used to program the transmit and receive programmed tone pairs by writing appropriate values to RAM locations within the CMX860. Note that these RAM locations are cleared by Powersave or Reset.

The Programming Register should only be written to when the Programming Flag bit (b13) of the Status Register is 1. The act of writing to the Programming Register clears the Programming Flag bit. When the programming action has been completed (normally within 150µs) the CMX860 will set the bit back to 1.

When programming Transmit or Receive Tone Pairs, do not change the Transmit or Receive Mode Registers until programming is complete and the Programming Flag bit has returned to 1.

Transmit Tone Pair Programming

4 transmit tone pairs (TA to TD) can be programmed.

The frequency (max 3.4kHz) and level must be entered for each tone to be used.

Single tones are programmed by setting both level and frequency values to zero for one of the pair.

Programming is done by writing a sequence of up to seventeen 16-bit words to the Programming Register.

The first word should be 32768 (8000 hex), the following 16-bit words set the frequencies and levels and are in the range 0 to 16383 (0-3FFF hex). Each word is written as a 2 x data-byte CBUS transfer, see Figure 7c.

Word	Tone Pair	Value written	Default Setting	
1		32768		
2	TA	Tone 1 frequency		
3	TA	Tone 1 level		
4	TA	Tone 2 frequency		
5	TA	Tone 2 level		
6	TB	Tone 1 frequency		
7	TB	Tone 1 level		
---	---	-----		
---	---	-----		
14	TD	Tone 1 frequency	2130 Hz	NB. Tone Pair TD is configured as 2130 and 2750 Hz by default, but can be re-programmed if required.
15	TD	Tone 1 level	-20 dBm	
16	TD	Tone 2 frequency	2750 Hz	
17	TD	Tone 2 level	-20 dBm	

The Frequency values to be entered are calculated from the formula:

$$\text{Value to be entered} = \text{desired frequency (Hz)} * 3.414$$

i.e. for 1kHz the value to be entered is 3414 (or 0D56 in Hex).

The Level values to be entered are calculated from the formula:

$$\text{Value to be entered} = \text{desired } V_{\text{rms}} * 93780 / AV_{\text{DD}}$$

i.e. for 0.5V_{rms} at AV_{DD} = 3.0V, the value to be entered is 15630 (3D0E in Hex)

Note that allowance should be made for the transmit signal filtering in the CMX860 which attenuates the output signal for frequencies above 2kHz by 0.25dB at 2.5kHz, by 1dB at 3kHz and by 2.2dB at 3.4kHz.

Receive Tone Pair Programming

The programmable tone pair detector is implemented as shown in Figure 9a. The filters are 4th order IIR sections. The frequency detectors measure the time taken for a programmable number of complete input signal cycles and compare this time against programmable upper and lower limits.

NB. If this register is not programmed, the detector will be configured to operate in its default mode, which is for the detection of 2130 Hz ± 20 Hz and 2750 Hz ± 30 Hz.

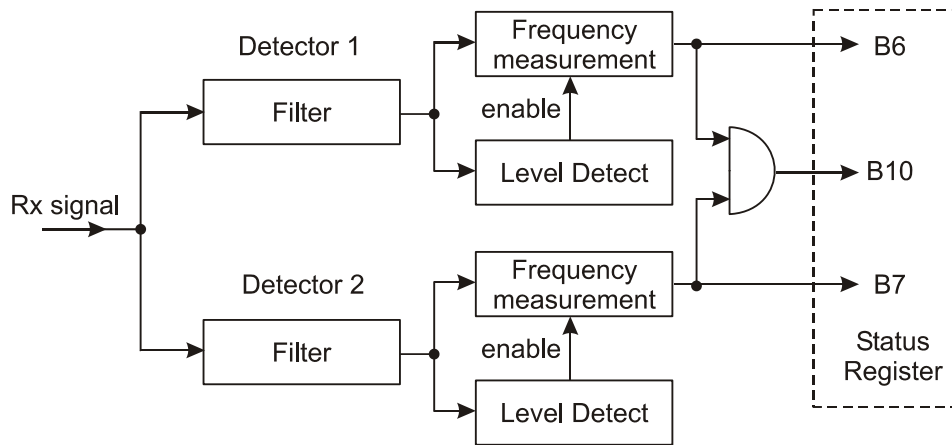


Figure 9a Programmable Tone Detectors

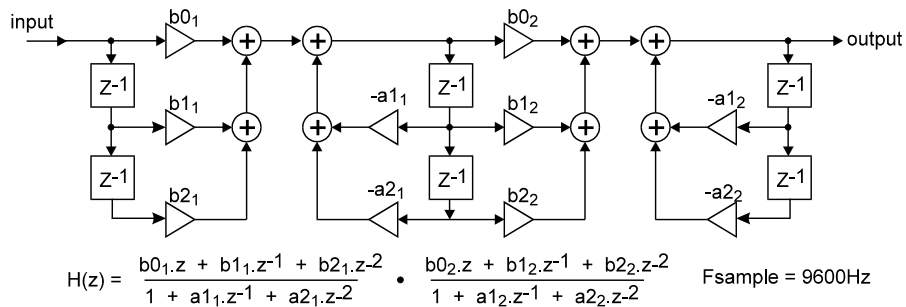


Figure 9b Filter Implementation

Programming is done by writing a sequence of twenty-seven 16-bit words to the Programming Register. The first word should be 32769 (8001 hex), the following twenty-six 16-bit words set the frequencies and levels and are in the range 0 to 32767 (0000-7FFF hex). Each word is written as a 2 x data-byte CBUS transfer, see Figure 7c.

Word	Value written	Word	Value written
1	32769	15	Filter #2 coefficient b2 ₁
2	Filter #1 coefficient b2 ₁	16	Filter #2 coefficient b1 ₁
3	Filter #1 coefficient b1 ₁	17	Filter #2 coefficient b0 ₁
4	Filter #1 coefficient b0 ₁	18	Filter #2 coefficient a2 ₁
5	Filter #1 coefficient a2 ₁	19	Filter #2 coefficient a1 ₁
6	Filter #1 coefficient a1 ₁	20	Filter #2 coefficient b2 ₂
7	Filter #1 coefficient b2 ₂	21	Filter #2 coefficient b1 ₂
8	Filter #1 coefficient b1 ₂	22	Filter #2 coefficient b0 ₂
9	Filter #1 coefficient b0 ₂	23	Filter #2 coefficient a2 ₂
10	Filter #1 coefficient a2 ₂	24	Filter #2 coefficient a1 ₂
11	Filter #1 coefficient a1 ₂	25	Freq measurement #2 ncycles
12	Freq measurement #1 ncycles	26	Freq measurement #2 mintime
13	Freq measurement #1 mintime	27	Freq measurement #2 maxtime
14	Freq measurement #1 maxtime		

The coefficients are entered as 15-bit signed (two's complement) integer values (the most significant bit of the 16-bit word entered should be zero) calculated as $8192 * \text{coefficient value}$ from the user's filter design program (i.e. this allows for filter design values of -1.9999 to +1.9999).

The design of the IIR filters should make allowance for the fixed receive signal filtering in the CMX860 which has a low pass characteristic above 1.5kHz of 0.4dB at 2kHz, 1.2dB at 2.5kHz, 2.6dB at 3kHz and 4.1dB at 3.4kHz.

'ncycles' is the number of signal cycles for the frequency measurement.

'mintime' is the smallest acceptable time for ncycles of the input signal expressed as the number of 9.6kHz timer clocks. i.e. $\text{'mintime'} = 9600 * \text{ncycles} / \text{high frequency limit}$

'maxtime' is the highest acceptable time for ncycles of the input signal expressed as the number of 9.6kHz timer clocks. i.e. $\text{'maxtime'} = 9600 * \text{ncycles} / \text{low frequency limit}$

The level detectors include hysteresis. The threshold levels - measured at a 2-wire line interface with unity gain filters, using typical line interface circuits, 1.0 dB line coupling loss and with the Rx Gain Control block set to 0dB - are nominally:

'Off' to 'On'	-44.5dBm
'On' to 'Off'	-47.0dBm

Note that if any changes are made to the programmed values while the CMX860 is running in Programmed Tone Detect mode they will not take effect until the CMX860 is next switched into Programmed Tone Detect mode.

1.5.12.10 Other Registers

'C-BUS' addresses \$E4, \$E9, \$EA and \$EB are reserved and should not be accessed.

1.6 Application Notes

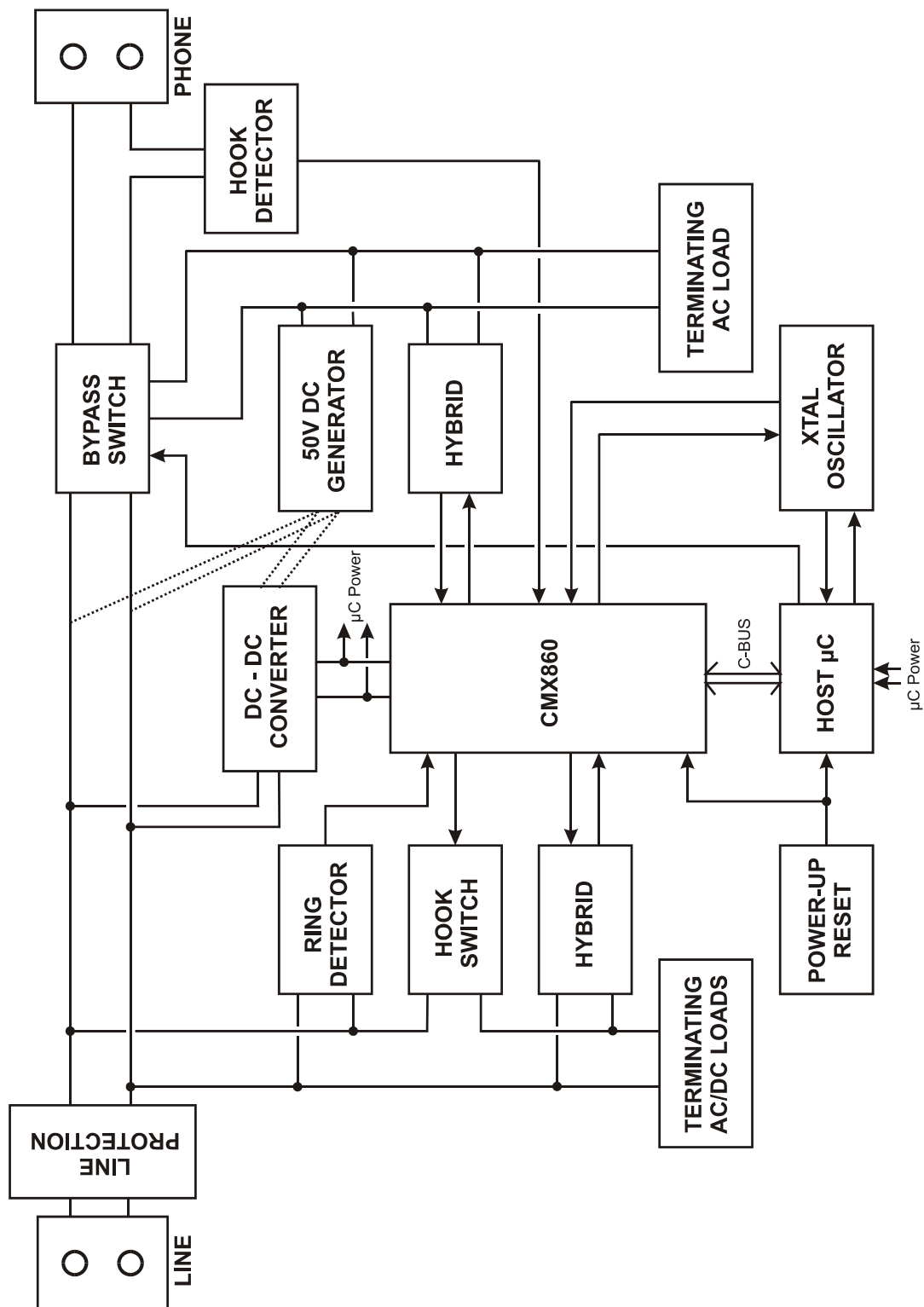


Figure 10 Typical Block Diagram for a Least Cost Router Application

1.7 Performance Specification

1.7.1 Electrical Performance

1.7.1.1 Absolute Maximum Ratings

Exceeding these maximum ratings can result in damage to the device.

	Min.	Max.	Units
Supply ($AV_{DD} - AV_{SS}$) or ($DV_{DD} - DV_{SS}$)	-0.3	7.0	V
Voltage on any pin to AV_{SS} or DV_{SS}	-0.3	$V_{DD} + 0.3$	V
Voltage between AV_{SS} and DV_{SS}		± 50	mV
Voltage between AV_{DD} and DV_{DD}		± 300	mV
Current into or out of AV_{SS} , DV_{SS} , AV_{DD} or DV_{DD} pins	-50	+50	mA
Current into RDRVN pin (RDRVN pin low)		+50	mA
Current into or out of any other pin	-20	+20	mA

D6 Package	Min.	Max.	Units
Total Allowable Power Dissipation at $T_{amb} = 25^{\circ}\text{C}$		1490	mW
... Derating		14.9	mW/ $^{\circ}\text{C}$
Storage Temperature	-55	+125	$^{\circ}\text{C}$
Operating Temperature	-40	+85	$^{\circ}\text{C}$

D1 Package	Min.	Max.	Units
Total Allowable Power Dissipation at $T_{amb} = 25^{\circ}\text{C}$		740	mW
... Derating		7.4	mW/ $^{\circ}\text{C}$
Storage Temperature	-55	+125	$^{\circ}\text{C}$
Operating Temperature	-40	+85	$^{\circ}\text{C}$

E1 Package	Min.	Max.	Units
Total Allowable Power Dissipation at $T_{amb} = 25^{\circ}\text{C}$		1110	mW
... Derating		11.1	mW/ $^{\circ}\text{C}$
Storage Temperature	-55	+125	$^{\circ}\text{C}$
Operating Temperature	-40	+85	$^{\circ}\text{C}$

1.7.1.2 Operating Limits

Correct operation of the device outside these limits is not implied.

	Notes	Min.	Max.	Units
Supply ($AV_{DD} - AV_{SS}$) or ($DV_{DD} - DV_{SS}$)		2.7	5.5	V
Operating Temperature		-40	+85	$^{\circ}\text{C}$

1.7.1.3 Operating Characteristics

For the following conditions unless otherwise specified:

$V_{DD} = AV_{DD} = DV_{DD} = 2.7V$ to $5.5V$ at $T_{amb} = -40$ to $+85^{\circ}C$, $V_{SS} = AV_{SS} = DV_{SS}$

Xtal Frequency = 11.0592 or $12.288MHz \pm 0.01\%$ (100ppm), 0dBm corresponds to 775mVrms.

DC Parameters	Notes	Min.	Typ.	Max.	Units
I_{DD} (Powersave mode, $V_{DD} = 3.0V$)	1, 2	-	2.0		μA
(Reset but not powersave, $V_{DD} = 3.0V$)	1, 3	-	1.0	2.0	mA
(Reset but not powersave, $V_{DD} = 5.0V$)	1, 3	-	2.5	4.5	mA
(Running, $V_{DD} = 3.0V$)	1	-	3.0	5.0	mA
(Running, $V_{DD} = 5.0V$)	1	-	5.0	9.0	mA
Logic '1' Input Level	4	70%	-	-	DV_{DD}
Logic '0' Input Level	4	-	-	30%	DV_{DD}
Logic Input Leakage Current ($V_{in} = 0$ to DV_{DD}), (excluding XTAL/CLOCK input)		-1.0	-	+1.0	μA
Output Logic '1' Level ($I_{OH} = 2$ mA)		80%	-	-	DV_{DD}
Output Logic '0' Level ($I_{OL} = -3$ mA)		-	-	0.4	V
IRQN O/P 'Off' State Current ($V_{out} = DV_{DD}$)		-	-	1.0	μA
Schmitt triggers input high-going threshold (V_{thi}) (see Figure 11)		$0.56DV_{DD}$	-	$0.56DV_{DD}$ + 0.6V	V
Schmitt triggers input low-going threshold (V_{tlo}) (see Figure 11)		$0.44DV_{DD}$ - 0.6V	-	$0.44DV_{DD}$	V
RDRVN 'ON' resistance to DV_{SS} ($DV_{DD} = 3.0V$)		-	50	70	Ω
RDRVN 'OFF' resistance to DV_{DD} ($DV_{DD} = 3.0V$)		-	1300	3000	Ω

- Notes:
- At $25^{\circ}C$, not including any current drawn from the CMX860 pins by external circuitry other than X1, C1 and C2.
 - All logic inputs at DV_{SS} except for RT and CSN inputs which are at DV_{DD} .
 - General Mode Register b8 and b7 both set to 1.
 - Excluding RD, RT, HD and HT pins.

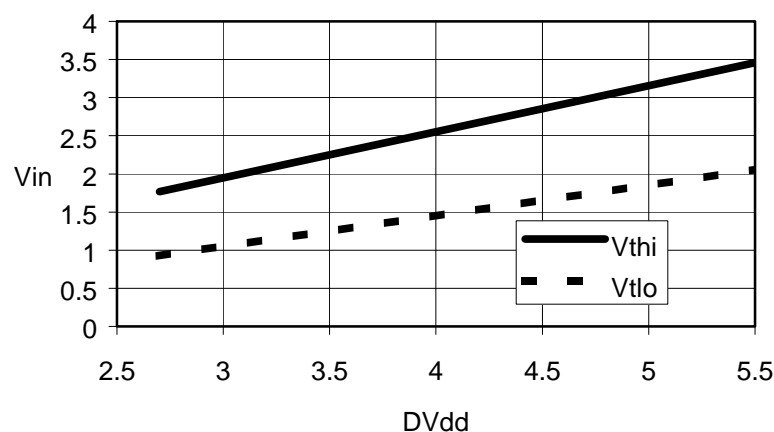


Figure 11 Typical Schmitt Trigger Input Voltage Thresholds vs. DV_{DD}

XTAL/CLOCK Input (timings for an external clock input)	Notes	Min.	Typ.	Max.	Units
'High' Pulse Width		30	-	-	ns
'Low' Pulse Width		30	-	-	ns

Transmit V.23 FSK Mode	Notes	Min.	Typ.	Max.	Units
Baud rate	5	-	1200/75	-	Baud
Mark (logical 1) frequency, 1200 baud		1298	1300	1302	Hz
Space (logical 0) frequency, 1200 baud		2097	2100	2103	Hz
Mark (logical 1) frequency, 75 baud		389	390	391	Hz
Space (logical 0) frequency, 75 baud		449	450	451	Hz
Transmit Bell 202 FSK Mode	Notes	Min.	Typ.	Max.	Units
Baud rate	5	-	1200/150	-	Baud
Mark (logical 1) frequency, 1200 baud		1198	1200	1202	Hz
Space (logical 0) frequency, 1200 baud		2197	2200	2203	Hz
Mark (logical 1) frequency, 150 baud		386	387	388	Hz
Space (logical 0) frequency, 150 baud		486	487	488	Hz
DTMF/Single Tone Transmit	Notes	Min.	Typ.	Max.	Units
Tone frequency accuracy		-0.2	-	+0.2	%
Distortion	6	-	1.0	2.0	%
Transmit Output Level	Notes	Min.	Typ.	Max.	Units
Modem and Single Tone modes	6	-4.0	-3.0	-2.0	dBm
DTMF mode, Low Group tones	6	-2.0	-1.0	0.0	dBm
DTMF: level of High Group tones wrt Low Group	6	+1.0	+2.0	+3.0	dB
Tx output driver gain control accuracy	6	-0.25	-	+0.25	dB

- Notes:
5. Tx signal % baud or bit rate accuracy is the same as XTAL/CLOCK % frequency accuracy.
 6. Measured between LINETXP and LINETXN or PHONETXP and PHONETXN pins with Tx Level Control gain set to 0dB, 1k Ω load between the 'TXP' and 'TXN' pins, at $AV_{DD} = 3.0V$ (levels are proportional to AV_{DD}). Level measurements for all modem modes are performed with random transmitted data and without any guard tone. 0dBm = 775mVrms.

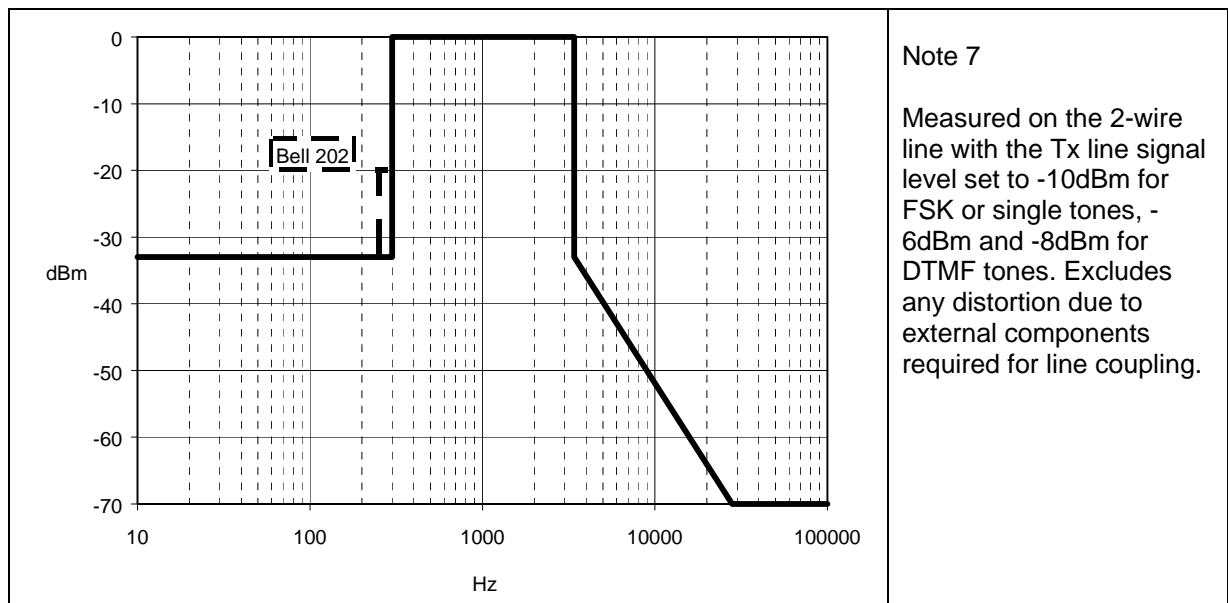


Figure 12 Maximum Out of Band Tx Line Energy Limits (see note 7)

Receive V.23 FSK Mode	Notes	Min.	Typ.	Max.	Units
1200 baud					
Acceptable baud rate		1188	1200	1212	Baud
Mark (logical 1) frequency		1280	1300	1320	Hz
Space (logical 0) frequency		2080	2100	2120	Hz
75 baud					
Acceptable baud rate		74	75	76	Baud
Mark (logical 1) frequency		382	390	398	Hz
Space (logical 0) frequency		442	450	458	Hz
Receive Bell 202 FSK Mode	Notes	Min.	Typ.	Max.	Units
1200 baud					
Acceptable baud rate		1188	1200	1212	Baud
Mark (logical 1) frequency		1180	1200	1220	Hz
Space (logical 0) frequency		2180	2200	2220	Hz
150 baud					
Acceptable baud rate		148	150	152	Baud
Mark (logical 1) frequency		377	387	397	Hz
Space (logical 0) frequency		477	487	497	Hz
Rx Modem Signal	Notes	Min.	Typ.	Max.	Units
Signal level	10	-45.0	-	-9.0	dBm
Signal to Noise Ratio (noise flat 300-3400Hz)		20.0	-	-	dB
Rx Modem Continuous 1s and 1010.. Pattern Detectors	Notes	Min.	Typ.	Max.	Units
Turn on time		32	-	40	bit-times
Turn off time		12	-	20	bit-times
Rx Modem Energy Detector	Notes	Min.	Typ.	Max.	Units
Detect threshold ('Off' to 'On')	10,11	-	-	-43.0	dBm
Undetect threshold ('On' to 'Off')	10,11	-48.0	-	-	dBm
Hysteresis	10,11	2.0	-	-	dB
Detect ('Off' to 'On') response time					
1200 baud FSK mode	10,11	8.0	-	30.0	ms
150 and 75 baud FSK modes	10,11	16.0	-	60.0	ms
Undetect ('On' to 'Off') response time					
1200 baud FSK mode	10,11	10.0	-	40.0	ms
150 and 75 baud FSK modes	10,11	20.0	-	80.0	ms
Rx Answer Tone Detectors	Notes	Min.	Typ.	Max.	Units
Detect threshold ('Off' to 'On')	10,8	-	-	-43.0	dBm
Undetect threshold ('On' to 'Off')	10,8	-48.0	-	-	dBm
Hysteresis	10,8	2.0	-	-	dB
Detect ('Off' to 'On') response time	10,8	30.0	33.0	45.0	ms
Undetect ('On' to 'Off') response time	10,8	7.0	18.0	25.0	ms
2100Hz detector					
'Will detect' frequency		2050	-	2160	Hz
'Will not detect' frequency		-	-	2000	Hz
2225Hz detector					
'Will detect' frequency		2160	-	2285	Hz
'Will not detect' frequency		2335	-	-	Hz

Rx Call Progress Energy Detector	Notes	Min.	Typ.	Max.	Units
Bandwidth (-3dB points) See Figure 5a		275	-	665	Hz
Detect threshold ('Off' to 'On')	10,9	-	-	-37.0	dBm
Undetect threshold ('On' to 'Off')	10,9	-42.0	-	-	dBm
Detect ('Off' to 'On') response time	10,9	30.0	36.0	45.0	ms
Undetect ('On' to 'Off') response time	10,9	6.0	8.0	50.0	ms

- Notes:
8. 'Typical' value refers to 2100Hz or 2225Hz signal switched between off and -33dBm. Times measured with respect to the received line signal.
 9. 'Typical' values refers to 400Hz signal switched between off and -33dBm
 10. Rx 2-wire line signal level assuming 1dB loss in line coupling components with Rx Gain Control block set to 0dB.
 11. Thresholds and times measured with continuous binary '1' for all FSK modes. Fixed compromise line equaliser enabled. Signal switched between off and -33dBm

DTMF Decoder	Notes	Min.	Typ.	Max.	Unit
Valid input signal levels (each tone of composite signal)	10	-30.0	-	0	dBm
Not decode level (either tone of composite signal)	10	-	-	-36.0	dBm
Twist = High Tone/Low Tone		-10.0	-	6.0	dB
Frequency Detect Bandwidth		±1.8	-	±3.5	%
Max level of low frequency noise (i.e dial tone)					
Interfering signal frequency <= 550Hz	12	-	-	0	dB
Interfering signal frequency <= 450Hz	12	-	-	10.0	dB
Interfering signal frequency <= 200Hz	12	-	-	20.0	dB
Max. noise level with respect to the signal	12,13	-	-	-10.0	dB
DTMF detect response time		-	-	40.0	ms
DTMF de-response time		-	-	30.0	ms
Status Register b5 high time		14.0	-	-	ms
'Will Detect' DTMF signal duration		40.0	-	-	ms
'Will Not Detect' DTMF signal duration		-	25.0	-	ms
Pause length detected		30.0	-	-	ms
Pause length ignored		-	-	15.0	ms

- Notes:
12. Referenced to DTMF tone of lower amplitude.
 - 13 Flat Gaussian Noise in 300-3400Hz band.

Receive Input Amplifier	Notes	Min.	Typ.	Max.	Units
Input impedance (at 100Hz)		10.0			MΩ
Open loop gain (at 100Hz)			10000		V/V
Rx Gain Control Block accuracy		-0.25		+0.25	dB

'C-BUS' Timings (See Figure 13)	Notes	Min.	Typ.	Max.	Units
t_{CSE}	CSN-Enable to Clock-High time	100	-	-	ns
t_{CSH}	Last Clock-High to CSN-High time	100	-	-	ns
t_{LOZ}	Clock-Low to Reply Output enable time	0.0	-	-	ns
t_{HIZ}	CSN-High to Reply Output 3-state time	-	-	1.0	μ s
t_{CSOFF}	CSN-High Time between transactions	1.0	-	-	μ s
t_{NXT}	Inter-Byte Time	200	-	-	ns
t_{CK}	Clock-Cycle time	200	-	-	ns
t_{CH}	Serial Clock-High time	100	-	-	ns
t_{CL}	Serial Clock-Low time	100	-	-	ns
t_{CDS}	Command Data Set-Up time	75.0	-	-	ns
t_{CDH}	Command Data Hold time	25.0	-	-	ns
t_{RDS}	Reply Data Set-Up time	50.0	-	-	ns
t_{RDH}	Reply Data Hold time	0.0	-	-	ns

Maximum 30pF load on each 'C-BUS' interface line.

Note: These timings are for the latest version of the 'C-BUS' as embodied in the CMX860, and allow faster transfers than the original 'C-BUS' timings given in CML Publication D/800/Sys/3 July 1994.

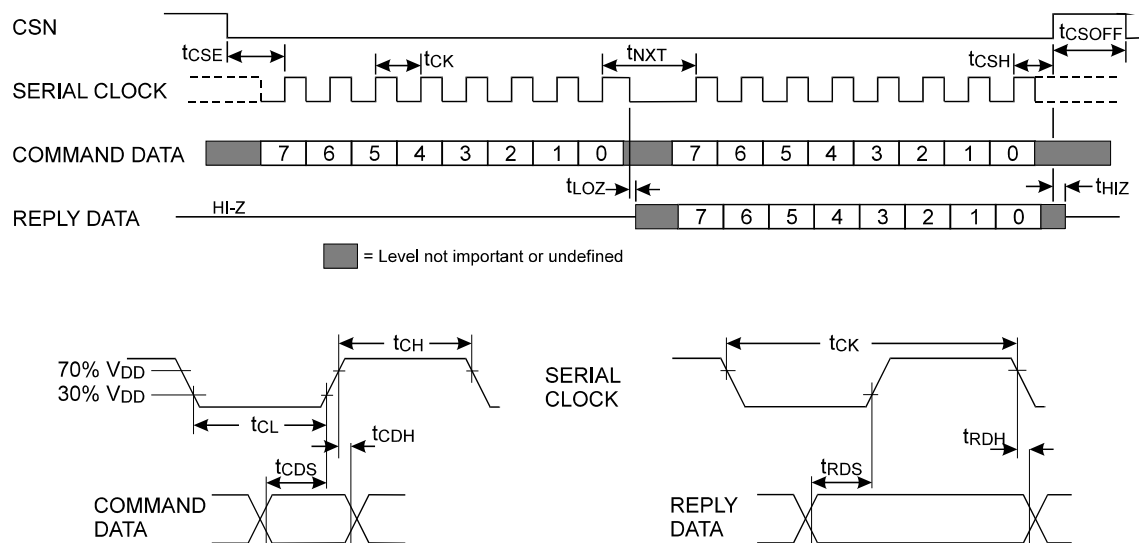


Figure 13 'C-BUS' Timing

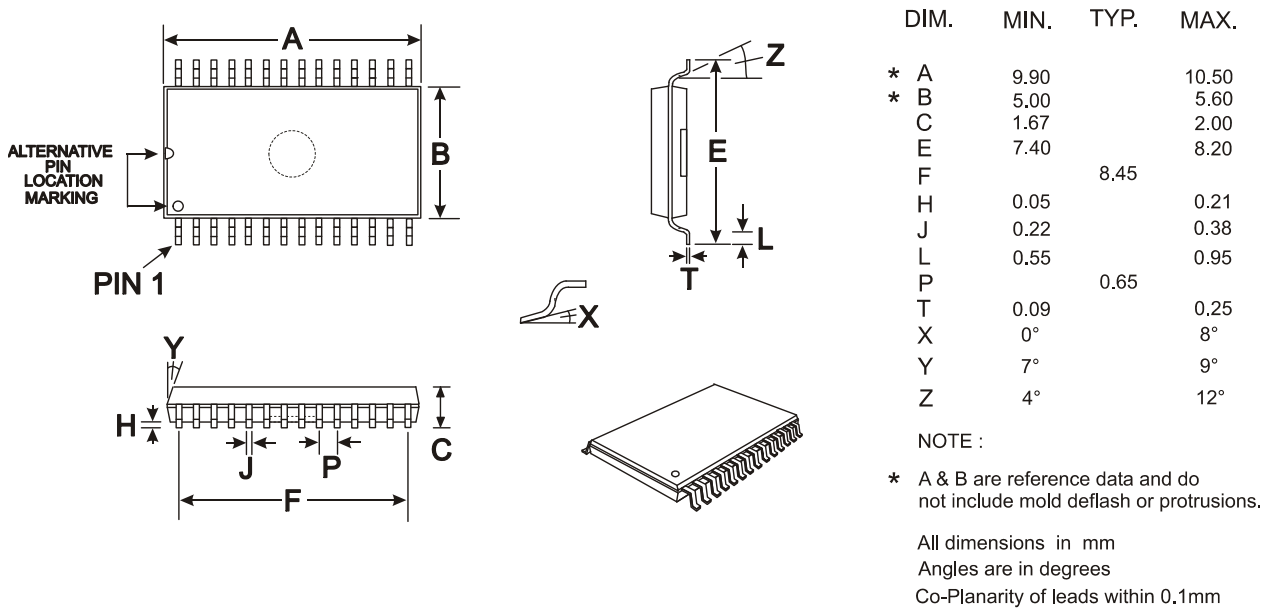


Figure 14 28-pin SSOP (D6) Mechanical Outline: **Order as part no. CMX860D6**

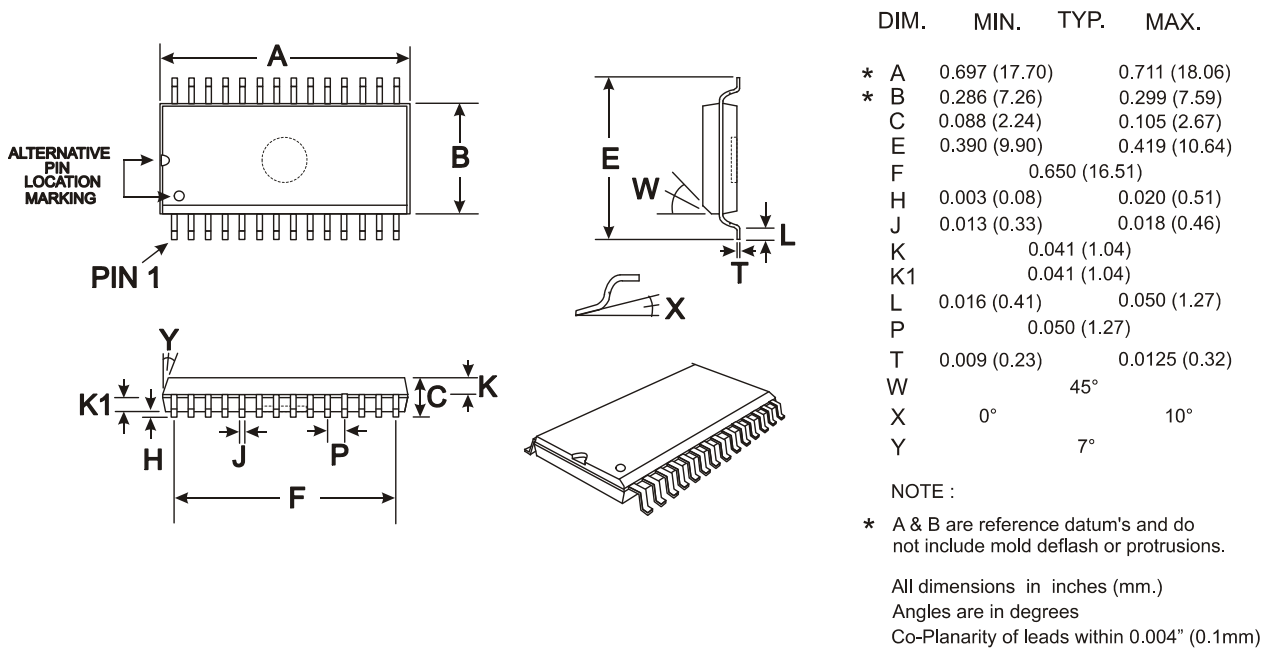


Figure 15 28-pin SOIC (D1) Mechanical Outline: **Order as part no. CMX860D1**

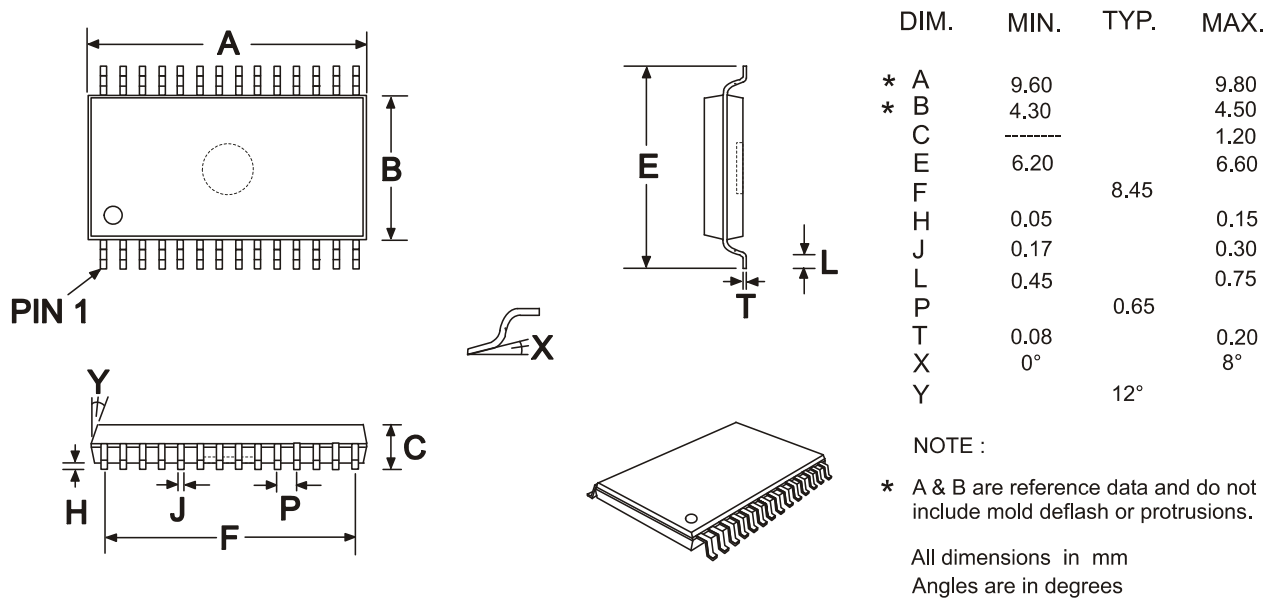


Figure 16 28-pin TSSOP (E1) Mechanical Outline: Order as part no. CMX860E1

Handling precautions: This product includes input protection, however, precautions should be taken to prevent device damage from electro-static discharge. CML does not assume any responsibility for the use of any circuitry described. No IPR or circuit patent licences are implied. CML reserves the right at any time without notice to change the said circuitry and this product specification. CML has a policy of testing every product shipped using calibrated test equipment to ensure compliance with this product specification. Specific testing of all circuit parameters is not necessarily performed.

<p>CML Microcircuits (UK) Ltd COMMUNICATION SEMICONDUCTORS</p>		<p>CML Microcircuits (USA) Inc. COMMUNICATION SEMICONDUCTORS</p>		<p>CML Microcircuits (Singapore) Pte Ltd COMMUNICATION SEMICONDUCTORS</p>	
		Singapore		China	
<p>Tel: +44 (0)1621 875500 Fax: +44 (0)1621 875600 Sales: sales@cmlmicro.com</p> <p>Tech Support: techsupport@cmlmicro.com</p>	<p>Tel: +1 336 744 5050 800 638 5577 Fax: +1 336 744 5054 Sales: us.sales@cmlmicro.com Tech Support: us.techsupport@cmlmicro.com</p>	<p>Tel: +65 67450426 Fax: +65 67452917 Sales: sg.sales@cmlmicro.com Tech Support: sg.techsupport@cmlmicro.com</p>	<p>Tel: +86 21 6317 4107 +86 21 6317 8916 Fax: +86 21 6317 0243 Sales: cn.sales@cmlmicro.com.cn Tech Support: sg.techsupport@cmlmicro.com</p>		
- www.cmlmicro.com -					

X-ON Electronics

Largest Supplier of Electrical and Electronic Components

Click to view similar products for [Telecom Interface ICs](#) category:

Click to view products by [CML Microcircuits](#) manufacturer:

Other Similar products are found below :

[MT8888CP1](#) [MT88E45BS1](#) [MT9174AN1](#) [MT8870DNR1](#) [MT88E39ASR1](#) [MT9074AL1](#) [MT9122AP1](#) [PEB4266TV12 S LL62](#)
[DS3150TNC1+](#) [DS26334GN+](#) [MT88E46AS1](#) [MT8963AE1](#) [DS26324GNA3+](#) [PM4351-RI](#) [PEF41068FV11 S LL8T](#) [PEF41068VV12 S LL8U](#)
[LE58QL022BVC](#) [LE58QL022BVCT](#) [LE88286DLC](#) [LE88276DLCT](#) [LE79252BTC](#) [RTL8019AS](#) [W7100A-S2E-100LQFP](#) [M100EVO-LITE](#)
[HE910NAR206T701](#) [XRT86VL38IB](#) [CMX631AD4](#) [XD8870](#) [82P2284BBG](#) [82V2084PFG](#) [CPC5620A](#) [CPC5620ATR](#) [CPC5621A](#)
[CPC5621ATR](#) [CPC5622A](#) [CPC5622ATR](#) [DS21455+](#) [DS21348G+](#) [DS2148TN+](#) [DS34S102GN+](#) [DS34T101GN+](#) [CMX673E3](#)
[LE88506DVC](#) [MT8967AS1](#) [MT88L70ANR1](#) [MT8952BP1](#) [DS3150QN+](#) [DS2149Q+](#) [CMX683E4](#) [DS3141+](#)