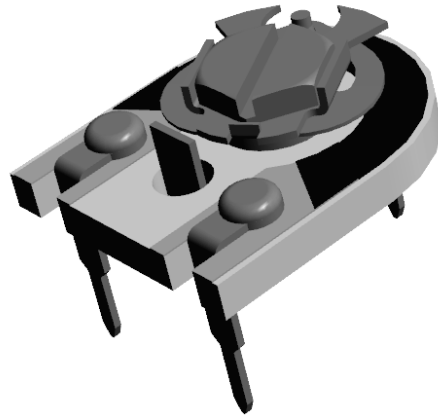


## CN-15 series

### Characteristic

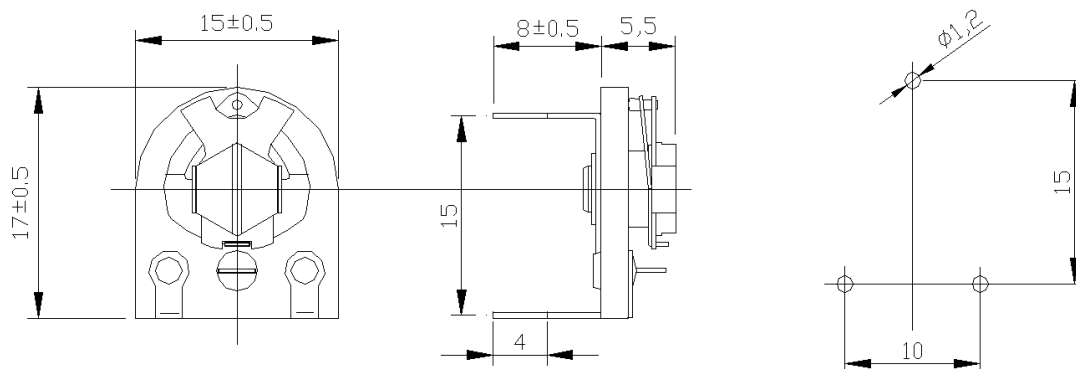
CN-15 series trimming potentiometers are used as regulatory, and adjustable elements. Main advantage of these potentiometers is cermet resistive element, which is characterized by a greater durability than a typical carbon track. Potentiometers have a linear characteristic of regulation, and are made in two mounting types. Potentiometers with 5% and 10% resistance tolerance are available on request.



<u>Parameter</u>		<u>Value</u>
Nominal resistance		szereg E6
Range of available resistances		100Ω ... 4,7MΩ
Resistance tolerance	$R \leq 680 \text{ k}\Omega$	±20%
	$R > 680 \text{ k}\Omega$	±30%
Max. dissipation power $P_n$ (T = 40°C)		1 W
Max. load at category temperature		50% $P_n$
Max. operating voltage		250 V
Temperature coefficient of resistance (TCR)		±300 x 10 <sup>-6</sup> /K
Climatic category		55/125/56

### Dimensions

#### CN 15.1 ... // version for horizontal mounting



#### TELPOD S.A.

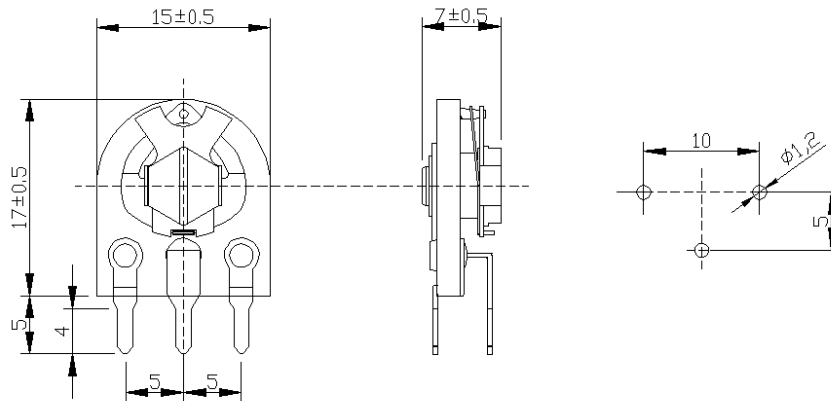
str. Pilsudskiego 63A  
32-050 Skawina  
[www.telpod.pl](http://www.telpod.pl)

Technical division: +48 (0)12 257 10 12  
Sales division: +48 (0)12 257 10 35  
fax: +48 (0)12 257 10 13  
e-mail: [potentiometer@telpod.pl](mailto:potentiometer@telpod.pl)

date: 04 / 2015  
Copyright 2015 by Telpod

### CN-15 series

#### CN 15.2 ... // version for vertical mounting



#### TELPOD S.A.

str. Pilsudskiego 63A

32-050 Skawina

[www.telpod.pl](http://www.telpod.pl)

Technical division: +48 (0)12 257 10 12

Sales division: +48 (0)12 257 10 35

fax: +48 (0)12 257 10 13

e-mail: [potentiometer@telpod.pl](mailto:potentiometer@telpod.pl)

date: 04 / 2015

Copyright 2015 by Telpod

## X-ON Electronics

Largest Supplier of Electrical and Electronic Components

*Click to view similar products for [Trimmer Resistors - Through Hole](#) category:*

*Click to view products by [Telpod](#) manufacturer:*

Other Similar products are found below :

[56PR250K](#) [M63M102KB30T607](#) [M63M103KB40](#) [M63M501KB40](#) [M63P102KB30T607](#) [M63P202KB40](#) [M63P203KB30T607](#)  
[M63P203KB40](#) [M63P205KB30T607](#) [M63P501KB40](#) [M63P502KB40](#) [M63S102KB40](#) [M63S103KB40](#) [M63X101KB40](#) [M63X103KB40](#)  
[M63X104KB40](#) [M63X501KB40](#) [M63X503KB40](#) [M70Y102KB25](#) [76PR500K](#) [79PR5K](#) [1500](#) [P8PY103KB25](#) [CT6P-103](#) [M63M102KB40](#)  
[M63M104KB40](#) [M63M502KB40](#) [M63P102KB40](#) [M63P103KB40](#) [M63P104KB30T607](#) [M63P104KB40](#) [M63P201KB40](#) [M63P204KB40](#)  
[M63P504KB40](#) [M63S203KB40](#) [M63S502KB40](#) [M63X105KB40](#) [M63X502KB40](#) [M70Y203KB25](#) [M70Y502KB25](#) [T9YA472KT20](#)  
[404806505008](#) [388N-100](#) [409HA102M](#) [4270W105K](#) [099168D](#) [55PR20K](#) [56PR2MEG](#) [67WR200RLF](#) [82PR2KLFTB](#)