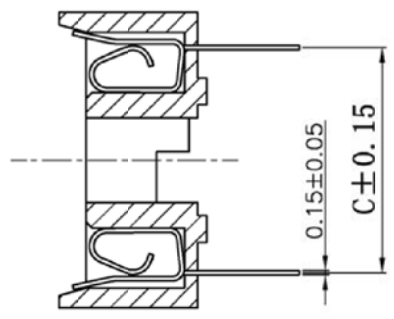
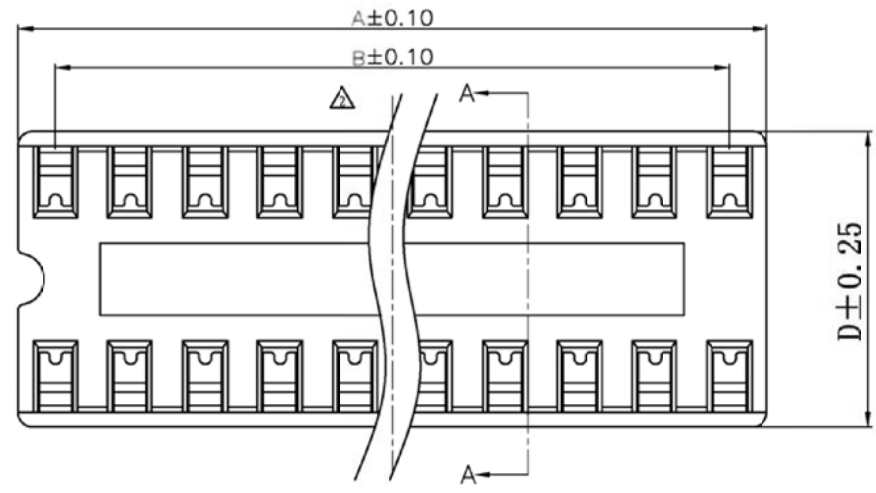
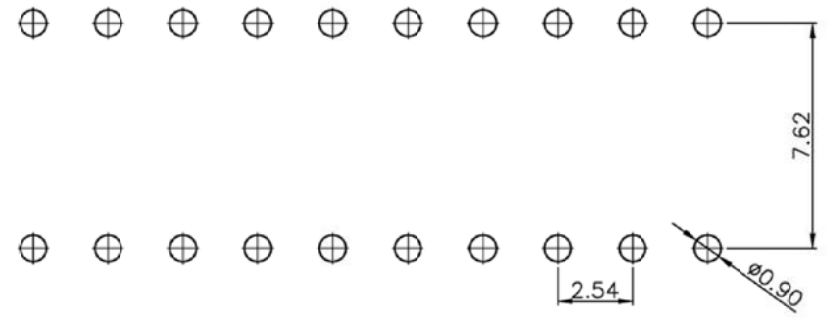
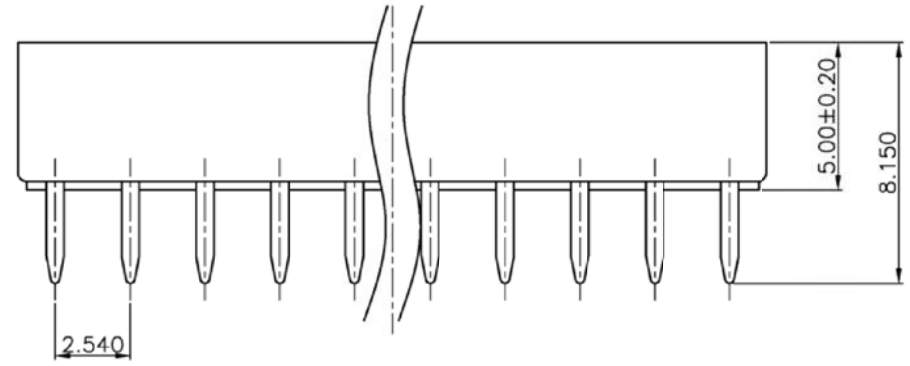


| REV | ECN.NO: | B Y | DATE |
|-----|------------|--------|----------|
| A1 | △EG-H31002 | SYSTEM | 08/04/23 |
| A2 | △EG-H31003 | SYSTEM | 08/08/06 |



SECTION: A-A

NOTES:
MATERIAL:
CONTACTS:PHOSPHOR BRONZE
INSULATOR:PBT+30% GLASS UL 94V-0
ELECTRICAL:
CONTACT CURRENT PATING:1A
DIELECTRIC WITHSTANDING VOLTAGE: 1000V AC
CONTACT RESISTANCE: 20milliohms max
INSULATION RESISTANCE: 1000 MEGOHMS
CAPACITANCE:0.5PICO-FARAD MAXIMUM
TEMPERATURE RANGE:-40°C+105°C
MECHANICAL:
ENGAGING FORCE:340g/A CONTACT MAX.
SEPARATING FORCE:20g/A CONTACT MIN.
DURABILITY:50 CYCLES
NO.OF CONTACT:6-48
FINISH:
CONTACT PLATING:TIN PLATED 60.03U"-88.35U"



PCB LAYOUT

| PIN NO. | DIM A | DIM B | DIM C | DIM D |
|---------|-------|-------|-------|-------|
| 6 | 7.62 | 5.08 | 7.62 | 10.16 |
| 8 | 10.16 | 7.62 | 7.62 | 10.16 |
| 14 | 17.78 | 15.24 | 7.62 | 10.16 |
| 16 | 20.32 | 17.76 | 7.62 | 10.16 |
| 18 | 22.86 | 20.32 | 7.62 | 10.16 |
| 20 | 25.4 | 22.86 | 7.62 | 10.16 |
| 22 | 27.95 | 25.4 | 7.62 | 10.16 |

| -TOLERANCES- UNLESS OTHERWISE SPECIFIED | | CnC Tech, LCC Industrial Cable and Connector Technology | | | | | |
|--|--------------|--|--------------------------|-------------------------|------|------|------|
| X.X ±0.30 | X.X* ±3° | | TITLE: IC SOCKET PH:2.54 | | | | |
| X.XX ±0.20 | X.XX* ±1° | | APPD: | PRODUCT NO: 243-XX-1-03 | | | |
| X.XXX ±0.10 | X.XXX* ±0.5° | CHECK: | DATE | SCALE | UNIT | TYPE | PAGE |
| | | DRAW: | 08.08.06 | FREE | MM | Z | 1 |

X-ON Electronics

Largest Supplier of Electrical and Electronic Components

Click to view similar products for [cnc manufacturer](#):

Other Similar products are found below :

[741-20010-00500](#) [DL-5468](#) [2725-2828-01000-T](#) [300-30-40-GR-0250F](#) [743-60012-00300](#) [302-28-50-GR-0250F](#) [302-28-10-GR-0100F](#)
[3020-10-0300-00-TR](#) [FM-213-4](#) [FM-214-4](#) [302-28-26-GR-0250F](#) [302-28-40-GR-0250F](#) [304-28-26-MC-0250F](#) [304-28-40-MC-0250F](#)
[302-28-09-GR-0250F](#) [1002-003-02000](#) [302-28-37-GR-0250F](#) [302-28-25-GR-0250F](#) [3020-10-0300-00](#) [300-30-14-GR-0250F](#) [302-28-14-GR-](#)
[0250F](#) [300-30-04-GR-0250F](#) [300-30-26-GR-0250F](#) [304-28-16-MC-0250F](#) [304-28-26-MC-0100F](#) [302-28-10-GR-0250F](#) [800-1401-2-SJT0-](#)
[BL-00200](#) [300-30-20-GR-0250F](#) [304-28-14-MC-0250F](#) [800-1800-2-SVT0-BL-00100](#) [741-20010-01000](#) [CNC-99-16](#) [302-28-20-GR-0100F](#)
[302-28-26-GR-0100F](#) [304-28-40-MC-0100F](#) [600218](#) [510-26-6600-WH-0007F](#) [610230](#) [3010-10-003-13-00](#) [304-28-14-MC-0100F](#) [302-28-50-](#)
[GR-0100F](#) [3030-16-0102-00](#) [3221-10-0300-00](#) [304-28-16-MC-0100F](#) [610234](#) [302-28-37-GR-0100F](#) [800-12-32D-BL-0008F](#) [FM-215-8](#) [DL-](#)
[1006](#) [304-28-20-MC-0250F](#)