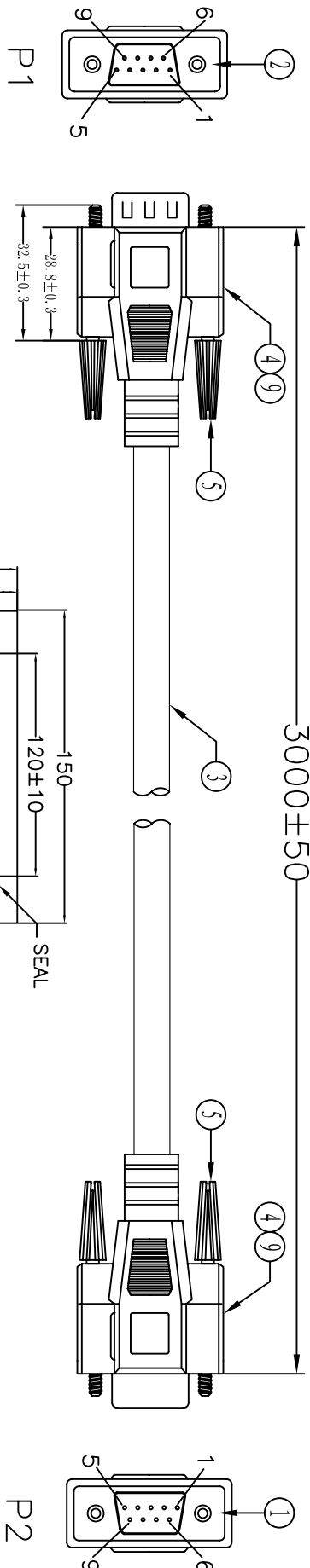
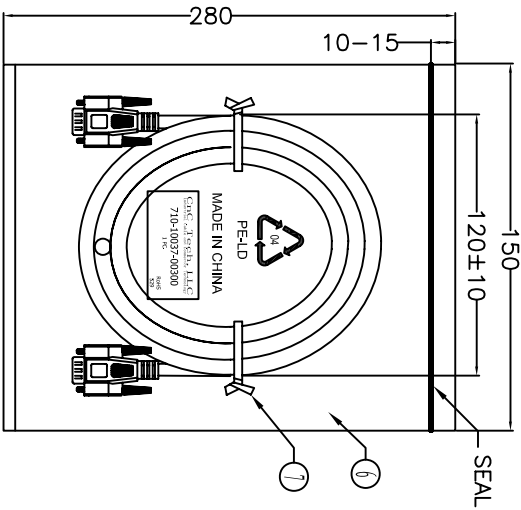


UNIT : MM



Electronic Test:  
 1. 100% Test,(Open,Short, Miss Wire)  
 2. Contact Resistance:5 ohm max.  
 3. Insulation Resistance:5M ohm min.  
 4. Hi-Pot:300V DC.



PIN ASSIGNMENT

P1	P2
1 BLACK	1
2 GREY	2
3 YELLOW	3
4 PURPLE	4
5 ORANGE	5
6 RED	6
7 BROWN	7
8 GREEN	8
9 BLUE	8
SHELL DRAIN	9
SHELL	SHELL

①	TUBE	2	HEAT SHRINK TUBE BLACK OD1.5*L15MM
②	PE BAG	1/10	CLEAR SIZE:360*380*0.05mm PRINT BLACK*MADE IN CHINA*+10PCS*印生产周期,有透气孔.
③	TIE	2	WHITE L=100mm
④	PE BAG	1	CLEAR SIZE:150*280*0.05mm PRINT BLACK*MADE IN CHINA*+1PC*印生产周期,有透气孔.
⑤	SCREW	4	SCREW:#4-40UNC D-E L32.5mm,NICKEL PLATED,INSULATION COLOR BEIGE(V-29).
⑥	IN JACKET	8g	CLEAR LDPE(MOULD NO:NM-049)
⑦	OUT JACKET	43.5g	BEIGE(V-29#) 40P PVC(MOULD NO:WW-113)
⑧	CABLE	1	NOUL 30AWG*9C+D+AL OD5.0mm COLOR BEIGE(V-29#)
⑨	CONN	1	DB 9P MALE SOLDER TYPE G/F .BLUE INSULATION
⑩	CONN	1	DB 9P FEMALE SOLDER TYPE G/F .BLUE INSULATION

**Cnc Tech, LLC**  
 Industrial Cable and Connector Technology

DRAWN BY	ZHONGHANG	DRAWING NO.	
CHECKED BY		CUSTOMER	
APPROVAL BY		ITEM NO.	710-10037-00300
DATE		DATE	2012-02-17
VERSIONS/EDITION	A/0	PROJECT	

## X-ON Electronics

Largest Supplier of Electrical and Electronic Components

*Click to view similar products for [cnc manufacturer](#):*

Other Similar products are found below :

[741-20010-00500](#) [DL-5468](#) [2725-2828-01000-T](#) [300-30-40-GR-0250F](#) [743-60012-00300](#) [302-28-50-GR-0250F](#) [302-28-10-GR-0100F](#)  
[3020-10-0300-00-TR](#) [FM-213-4](#) [FM-214-4](#) [302-28-26-GR-0250F](#) [302-28-40-GR-0250F](#) [304-28-26-MC-0250F](#) [304-28-40-MC-0250F](#)  
[302-28-09-GR-0250F](#) [1002-003-02000](#) [302-28-37-GR-0250F](#) [302-28-25-GR-0250F](#) [3020-10-0300-00](#) [300-30-14-GR-0250F](#) [302-28-14-GR-](#)  
[0250F](#) [300-30-04-GR-0250F](#) [300-30-26-GR-0250F](#) [304-28-16-MC-0250F](#) [304-28-26-MC-0100F](#) [302-28-10-GR-0250F](#) [800-1401-2-SJT0-](#)  
[BL-00200](#) [300-30-20-GR-0250F](#) [304-28-14-MC-0250F](#) [800-1800-2-SVT0-BL-00100](#) [741-20010-01000](#) [CNC-99-16](#) [302-28-20-GR-0100F](#)  
[302-28-26-GR-0100F](#) [304-28-40-MC-0100F](#) [600218](#) [510-26-6600-WH-0007F](#) [610230](#) [3010-10-003-13-00](#) [304-28-14-MC-0100F](#) [302-28-50-](#)  
[GR-0100F](#) [3030-16-0102-00](#) [3221-10-0300-00](#) [304-28-16-MC-0100F](#) [610234](#) [302-28-37-GR-0100F](#) [800-12-32D-BL-0008F](#) [FM-215-8](#) [DL-](#)  
[1006](#) [304-28-20-MC-0250F](#)